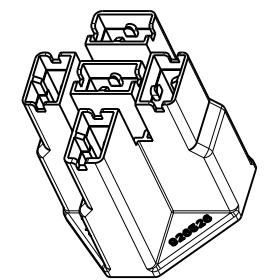
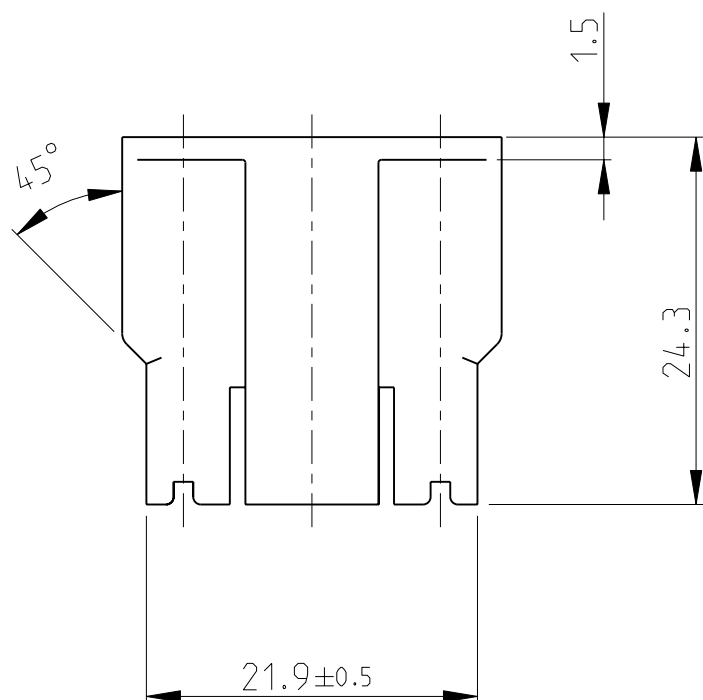
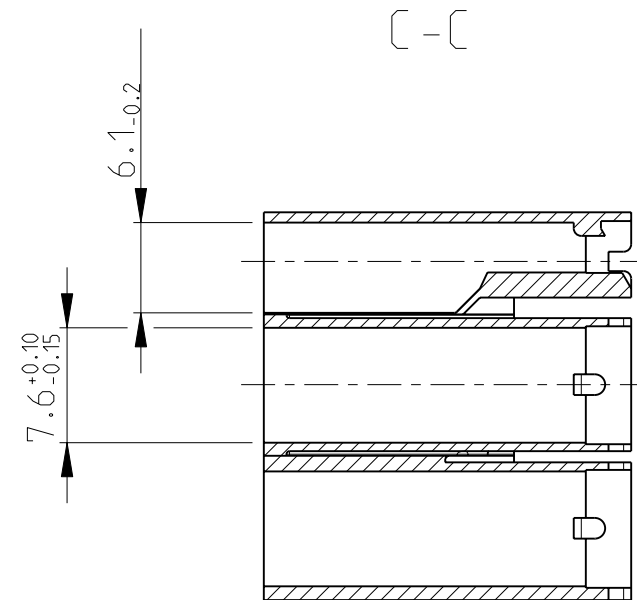
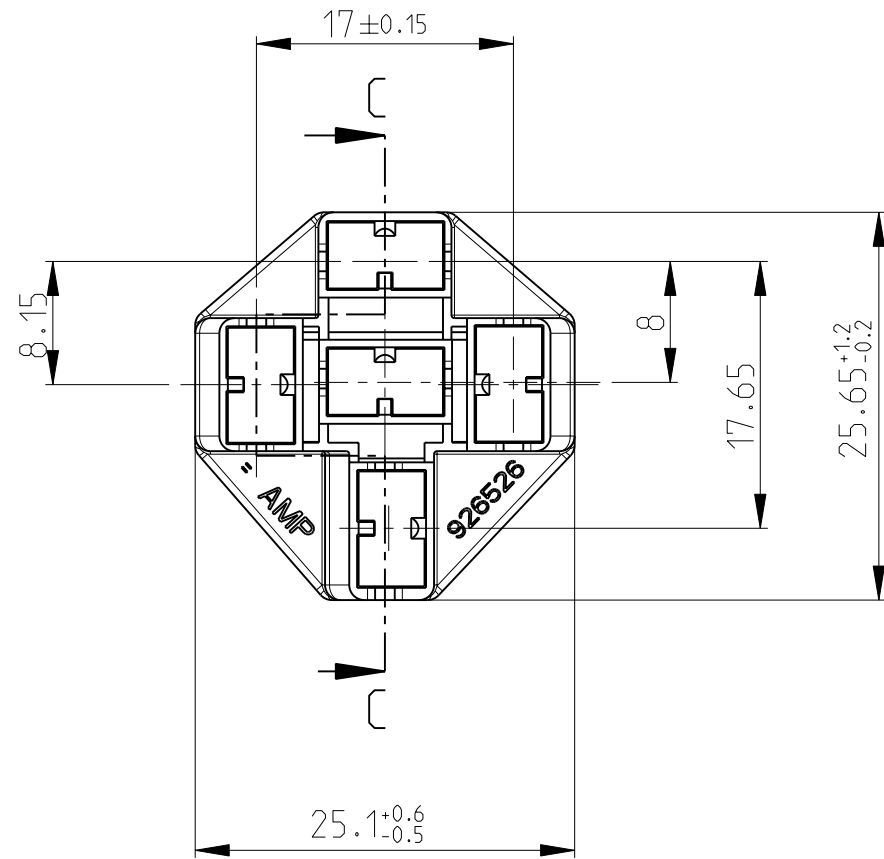


LOC	DIST	REVISIONS				
P	LTR	DESCRIPTION	DATE	DWN	APVD	
A1	-	P1	DRAFTING ERROR AND RELAX CAVITY TOLERANCE	18-SEP-2010	PKS	MP
		P2	DRAFTING ERROR, P/N INFO CORRECTED	04APR2012	PKS	RRP



1:1

PA 6.6	BLACK	926526-1	P
MATERIAL	COLOUR	PART NUMBER	REV

THIS DRAWING IS A CONTROLLED DOCUMENT.		DWN 25MAR2008 Abraham,G.	<b>STE</b> TE Connectivity	
DIMENSIONS: mm		CHK 26MAR2008 Goepfel,C.		
TOLERANCES UNLESS OTHERWISE SPECIFIED:		APVD -	NAME 5 POS.POS.-LOCK HOUSING ( RELAY ) 5 pol. Pos.-Lock Gehaeuse ( Relais )	
0 PLC ±0.2		PRODUCT SPEC 108-18112-1	SIZE A3	
1 PLC ±0.2		APPLICATION SPEC -	CAGE CODE 00779	DRAWING NO C=926526
2 PLC ±0.2		WEIGHT 3.3 g	RESTRICTED TO -	
3 PLC ±0.2		CUSTOMER DRAWING	SCALE 2:1	SHEET 1 OF 1
4 PLC ±1°30'				REV P2
ANGLES ±1°30'				
FINISH -				