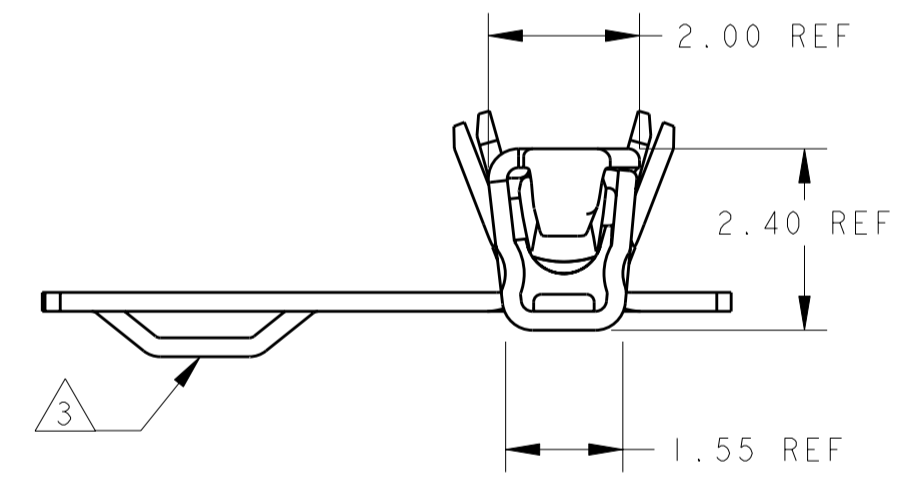
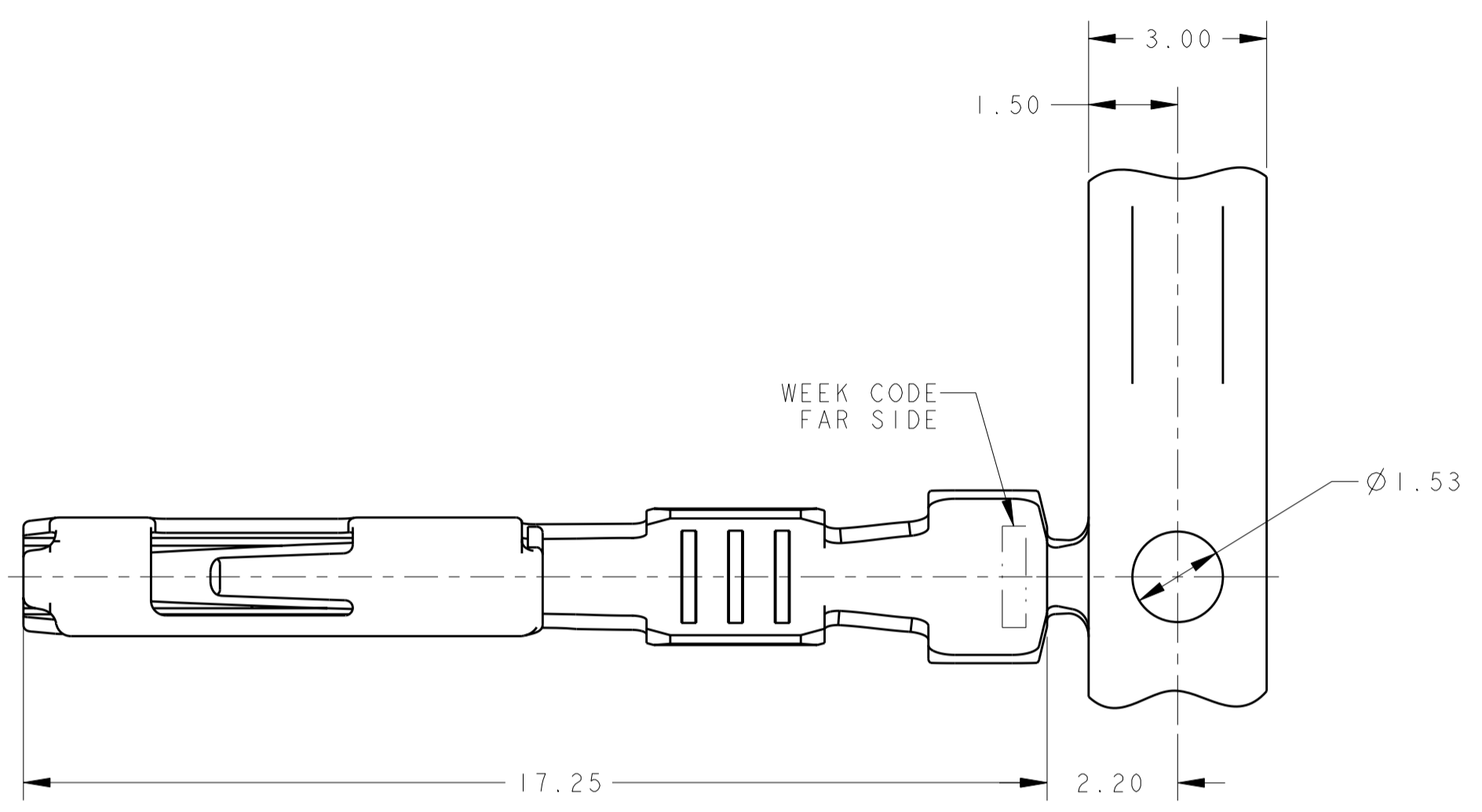
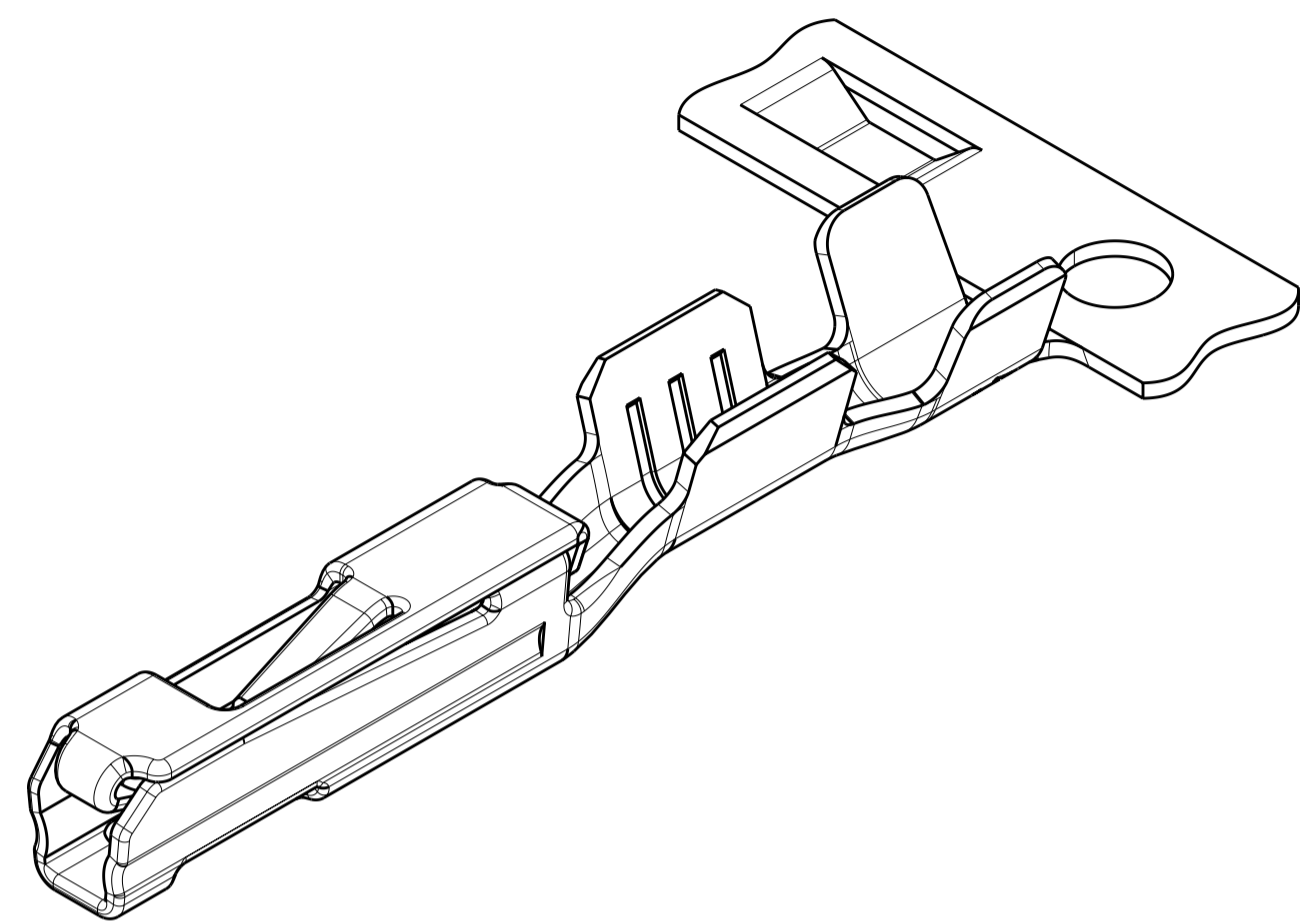
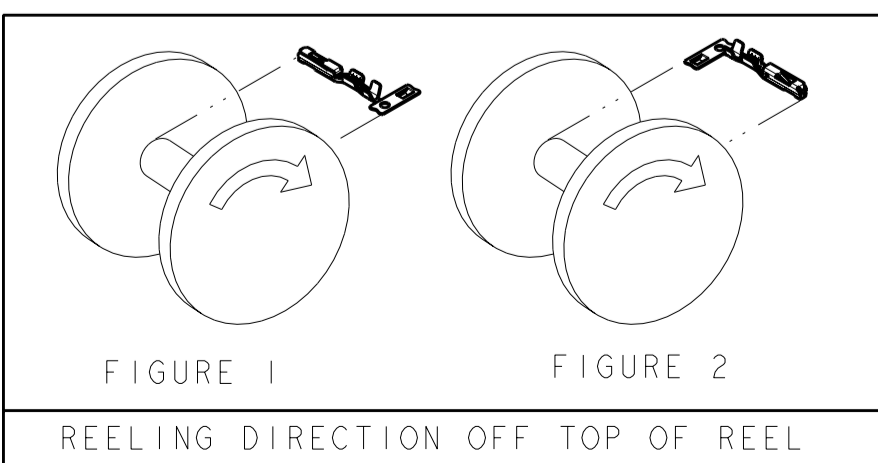


THIS DRAWING IS UNPUBLISHED. RELEASED FOR PUBLICATION 20
 © COPYRIGHT 20 BY - ALL RIGHTS RESERVED.

LOC	DIST	REVISIONS			
P	LTR	DESCRIPTION	DATE	DWN	APVD
FX	00	B2	REVISED PER ECO-11-005030	12MAR2011	RK HMR



- 1. FINISH: PLATED 0.001 MIN THICK TIN.
- 2. PART LUBRICATED WITH ANTI-FRETTING LUBRICANT, MSDS 125-6344
- 3. FEATURE ON CARRIER STRIP IS DEPRESSED ON TIN PLATED PRODUCT. FEATURE APPEARS ADJACENT TO EVERY OTHER CONTACT MIN.
- 4. SEE FIGURE 1 FOR REELING DIRECTION.
- 5. SEE FIGURE 2 FOR REELING DIRECTION.
- 6. FOR LEVER ASSISTED CONNECTORS WITH SIDE SLIDE ACTION THE ALLOWABLE WIRE BRUSH LENGTH RANGE IS 0.10-0.70MM.



5	22	638551-4
	18-20	638551-3
4	22	638551-2
	18-20	638551-1
REELING	WIRE SIZE	PART NUMBER

THIS DRAWING IS A CONTROLLED DOCUMENT.		DWN J. R. SHUEY 02SEP99	TE Connectivity	
DIMENSIONS: mm		CHK J. M. MYER 02SEP99		
TOLERANCES UNLESS OTHERWISE SPECIFIED:		APVD K. DENLINGER 02SEP99	NAME CONTACT, FEMALE, 0.64mm TIN PLATED	
0 PLC ± 1 PLC ± 2 PLC ±0.20 3 PLC ± 4 PLC ± ANGLES ±3° FINISH		PRODUCT SPEC 108-2220	SIZE A20779	
MATERIAL 0.25 THK COPPER ALLOY		APPLICATION SPEC 114-13006	CAGE CODE C-638551	
		WEIGHT -	DRAWING NO -	
		CUSTOMER DRAWING	RESTRICTED TO -	
		SCALE 10:1	SHEET 1 OF 1 REV B2	