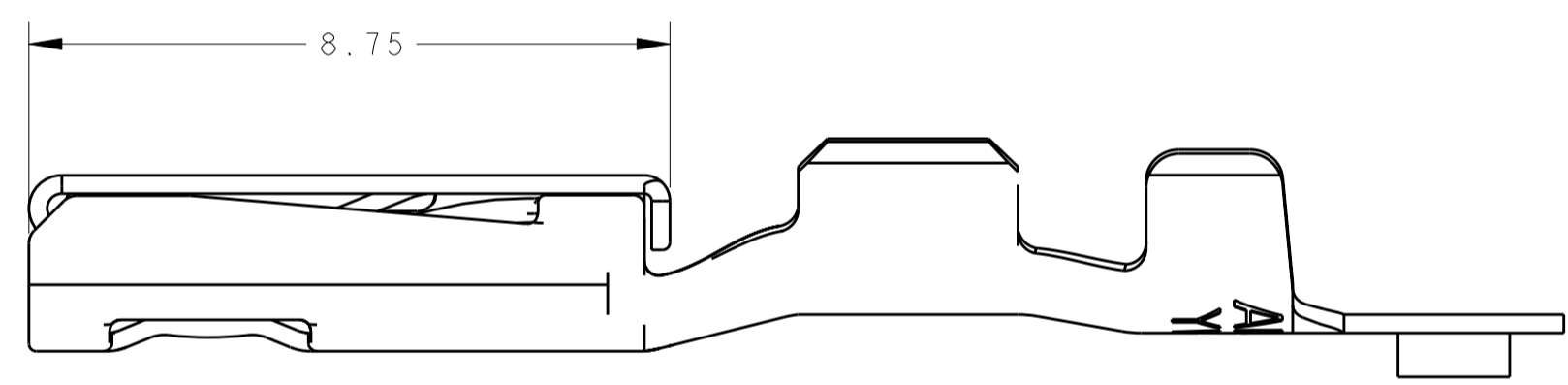
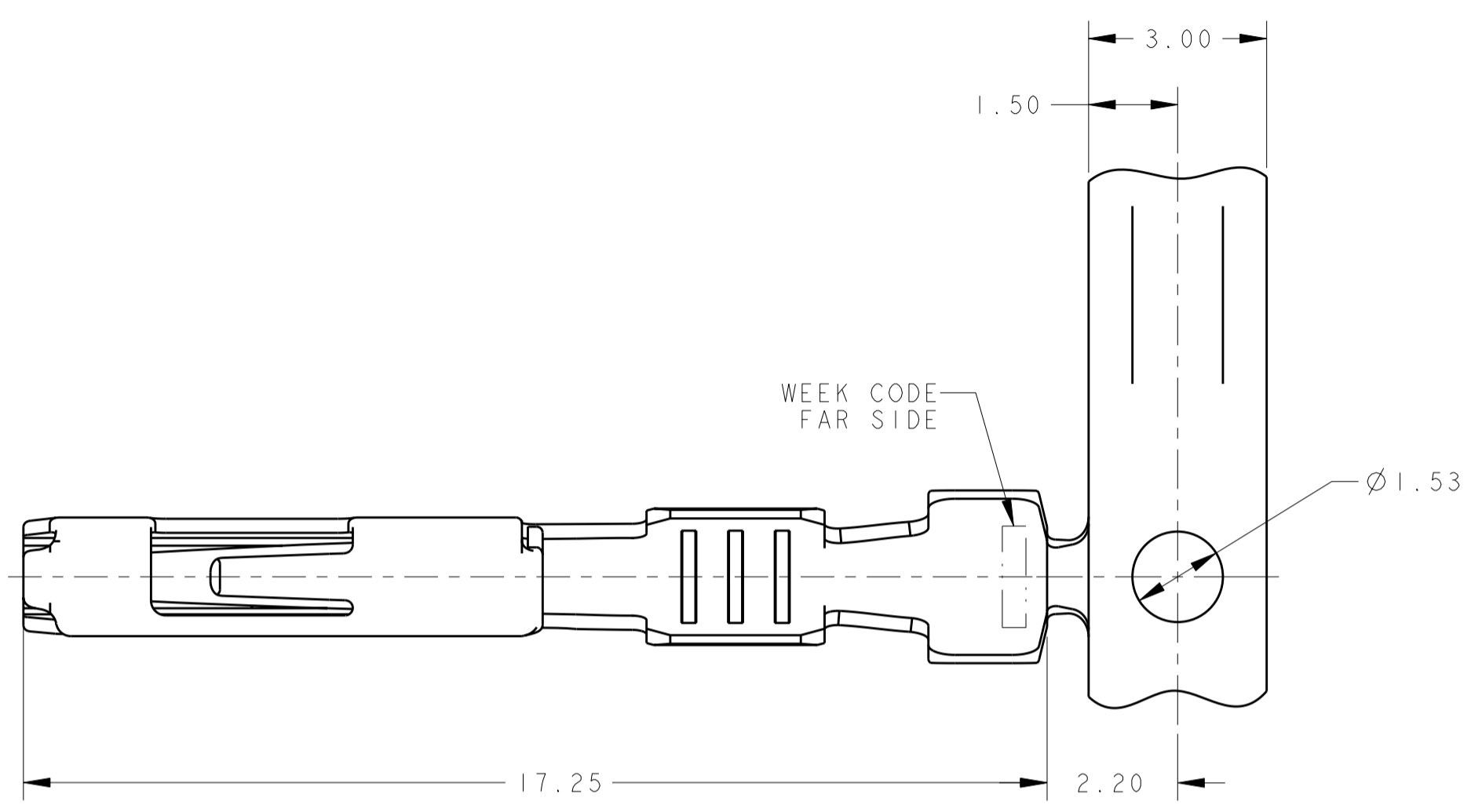
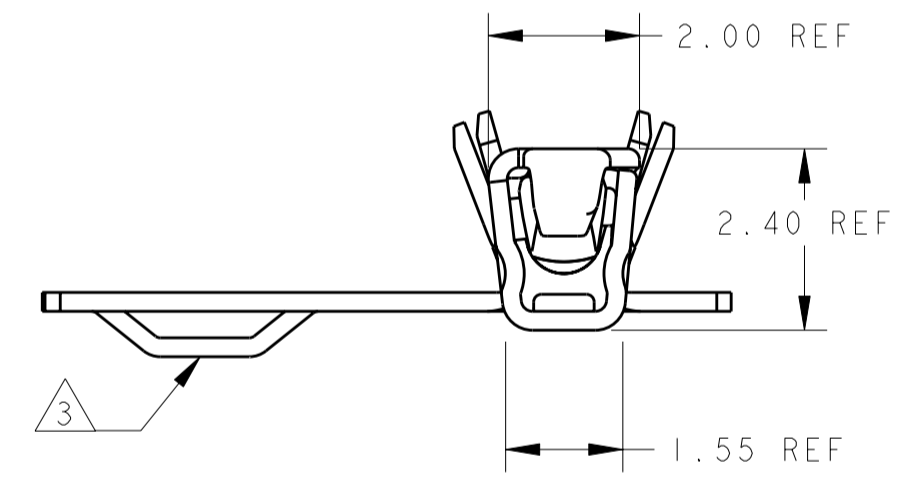
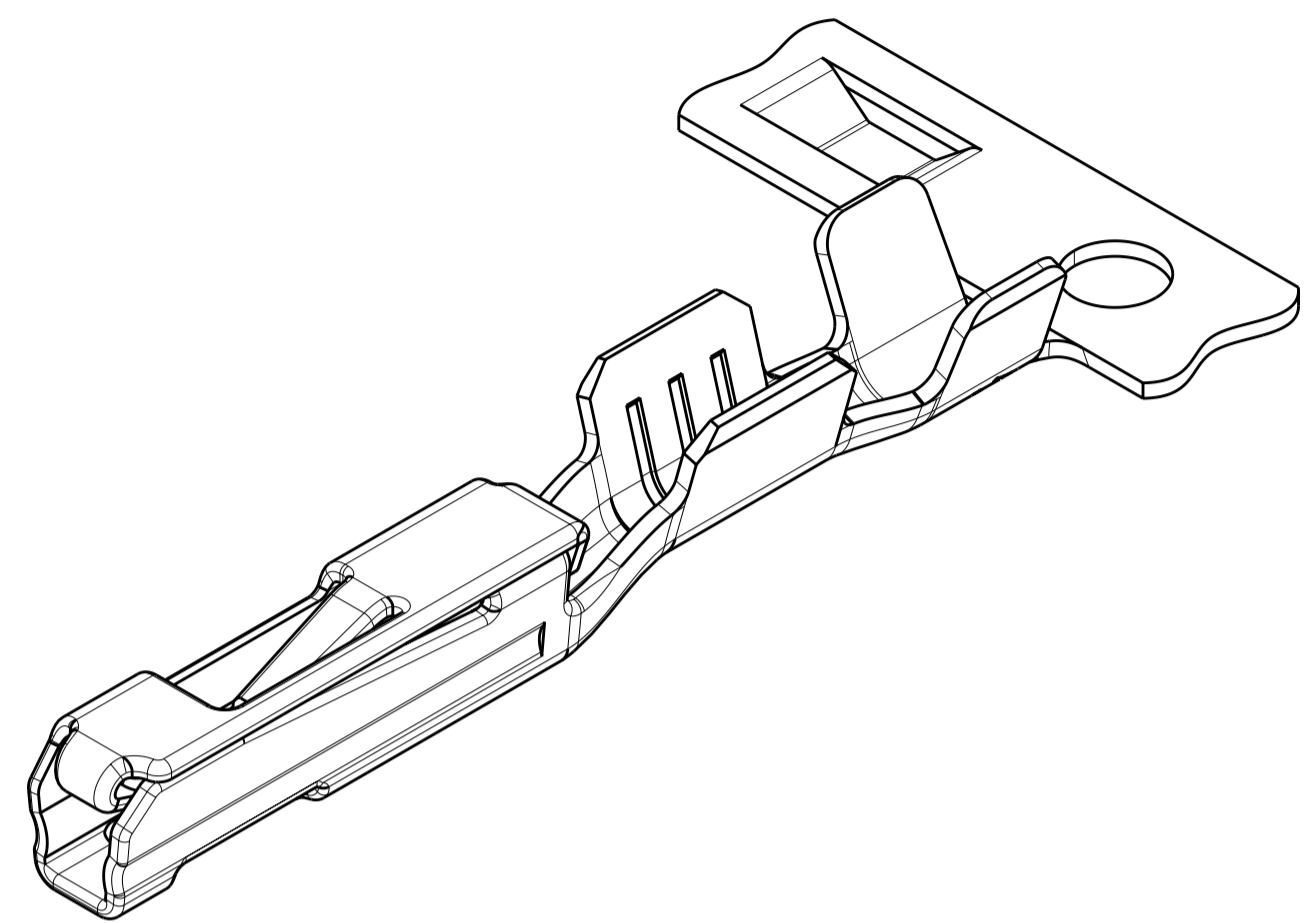
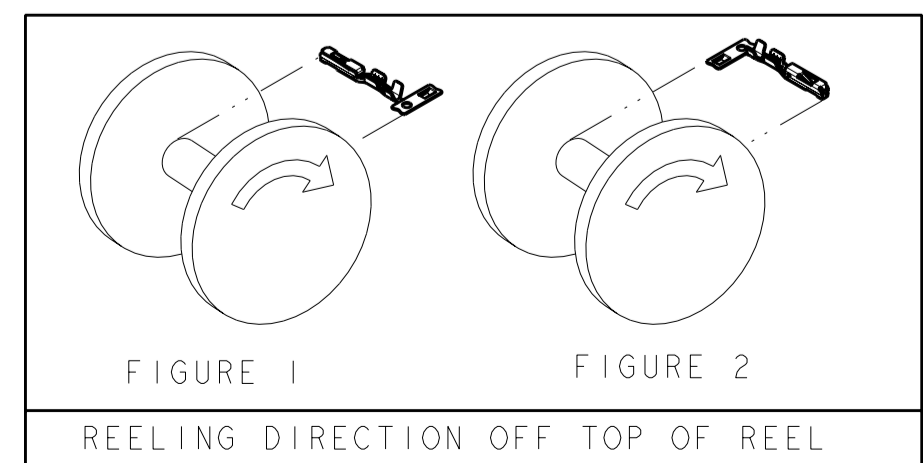


THIS DRAWING IS UNPUBLISHED. RELEASED FOR PUBLICATION 20
 © COPYRIGHT 20 BY - ALL RIGHTS RESERVED.

LOC	DIST	REVISIONS			
P	LTR	DESCRIPTION	DATE	DWN	APVD
FX	00	B2	REVISED PER ECO-11-005030	12MAR2011	RK HMR



- 1 FINISH: PLATED 0.001 MIN THICK TIN.
- 2. PART LUBRICATED WITH ANTI-FRETTING LUBRICANT, MSDS 125-6344
- 3 FEATURE ON CARRIER STRIP IS DEPRESSED ON TIN PLATED PRODUCT. FEATURE APPEARS ADJACENT TO EVERY OTHER CONTACT MIN.
- 4 SEE FIGURE 1 FOR REELING DIRECTION.
- 5 SEE FIGURE 2 FOR REELING DIRECTION.
- 6. FOR LEVER ASSISTED CONNECTORS WITH SIDE SLIDE ACTION THE ALLOWABLE WIRE BRUSH LENGTH RANGE IS 0.10-0.70MM.



5	22	638551-4
	18-20	638551-3
4	22	638551-2
	18-20	638551-1
REELING	WIRE SIZE	PART NUMBER

THIS DRAWING IS A CONTROLLED DOCUMENT.

DIMENSIONS:	TOLERANCES UNLESS OTHERWISE SPECIFIED:	DWN	J. R. SHUEY	02SEP99	TE Connectivity CONTACT, FEMALE, 0.64mm TIN PLATED			
mm	0 PLC ±	CHK	J. M. MYER	02SEP99				
	1 PLC ±	APVD	K. DENLINGER	02SEP99				
	2 PLC ±0.20	PRODUCT SPEC	108-2220					
	3 PLC ±	APPLICATION SPEC	114-13006		SIZE	CAGE CODE	DRAWING NO	RESTRICTED TO
	4 PLC ±	WEIGHT	-		A2	0779	C-638551	-
	ANGLES ±3°				SCALE	10:1	SHEET	OF
	FINISH							REV
MATERIAL	0.25 THK COPPER ALLOY							B2

CUSTOMER DRAWING