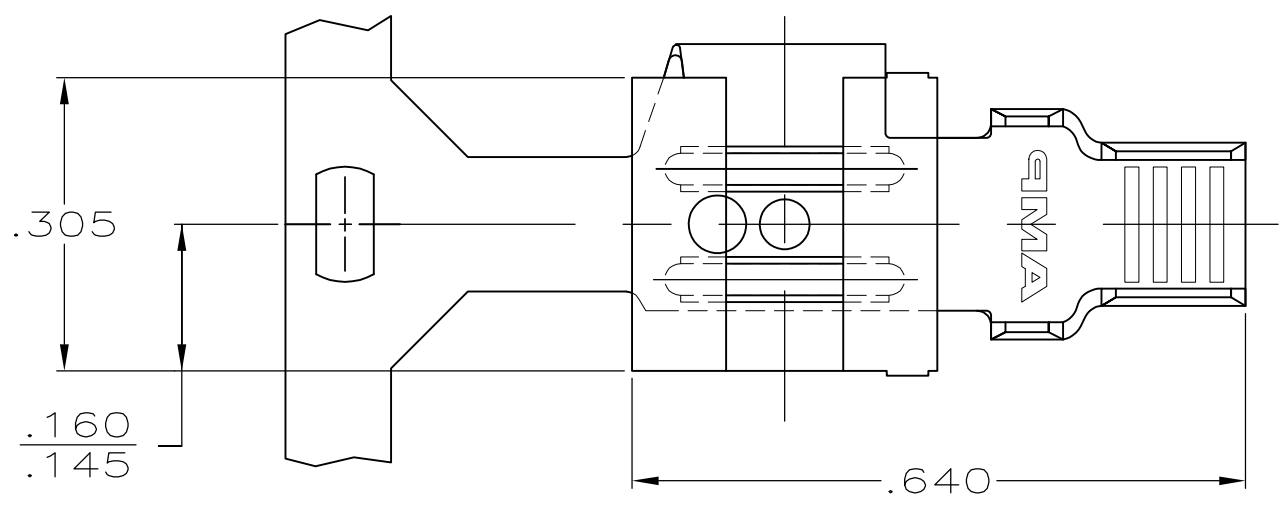
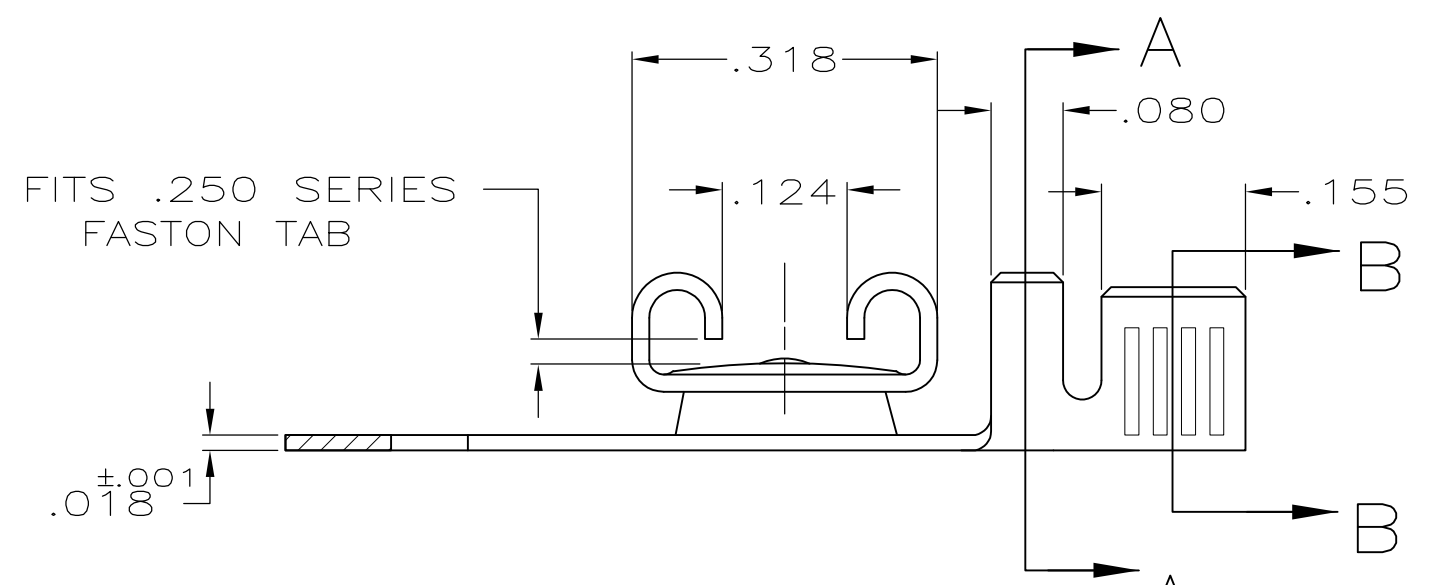


THIS DRAWING IS UNPUBLISHED. RELEASED FOR PUBLICATION
 © COPYRIGHT - By - ALL RIGHTS RESERVED.

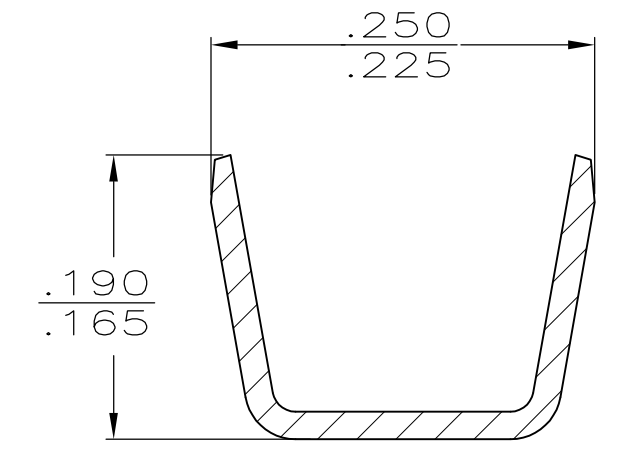
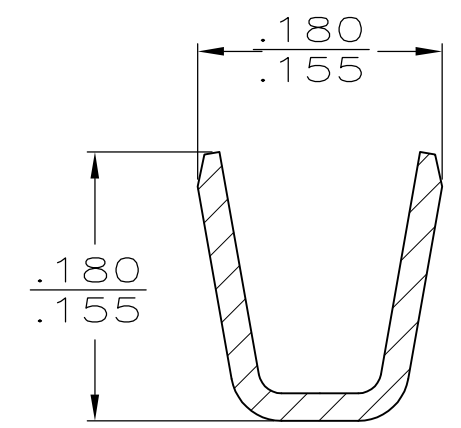
LOC	DIST	REVISIONS					
AF	50	P	LTR	DESCRIPTION	DATE	DWN	APVD
		P		REVISED PER ECR-11-018063	22DEC11	KH	PD



1 CONTINUOUS STRIP ON REELS.



FITS .250 SERIES FASTON TAB



SECTION B-B
SCALE 8:1

SECTION A-A
SCALE 8:1

OBSOLETE OBSOLETE	.130 TO .170	16-12	TIN .000080 MIN	T4 BRASS	.032	61188-3
			SILVER .000150 MIN	T3 PHOS BRZ		61188-2
			TIN	T3 PHOS BRZ		61188-1
	INSUL RANGE	WIRE SIZE	FINISH	MATERIAL	MATING TAB THK ±.001	PART NO

THIS DRAWING IS A CONTROLLED DOCUMENT.		DWN JR RUTH 3/22/90	TE Connectivity RECEPTACLE, FASTON™ FLAG, REVERSIBLE, .250 SERIES				
DIMENSIONS: INCHES		CHK MS FEHER 3/22/90					
TOLERANCES UNLESS OTHERWISE SPECIFIED:		APVD C MEYERS 3/22/90					
0 PLC ± - 1 PLC ± - 2 PLC ± - 3 PLC ± .010 4 PLC ± - ANGLES ± -		PRODUCT SPEC -					
MATERIAL SEE TABLE	FINISH SEE TABLE	APPLICATION SPEC 114-2032	NAME	SIZE A3	CAGE CODE 00779	DRAWING NO C-61188	RESTRICTED TO -
CUSTOMER DRAWING			WEIGHT -	SCALE 5:1	SHEET 1 OF 1	REV P	