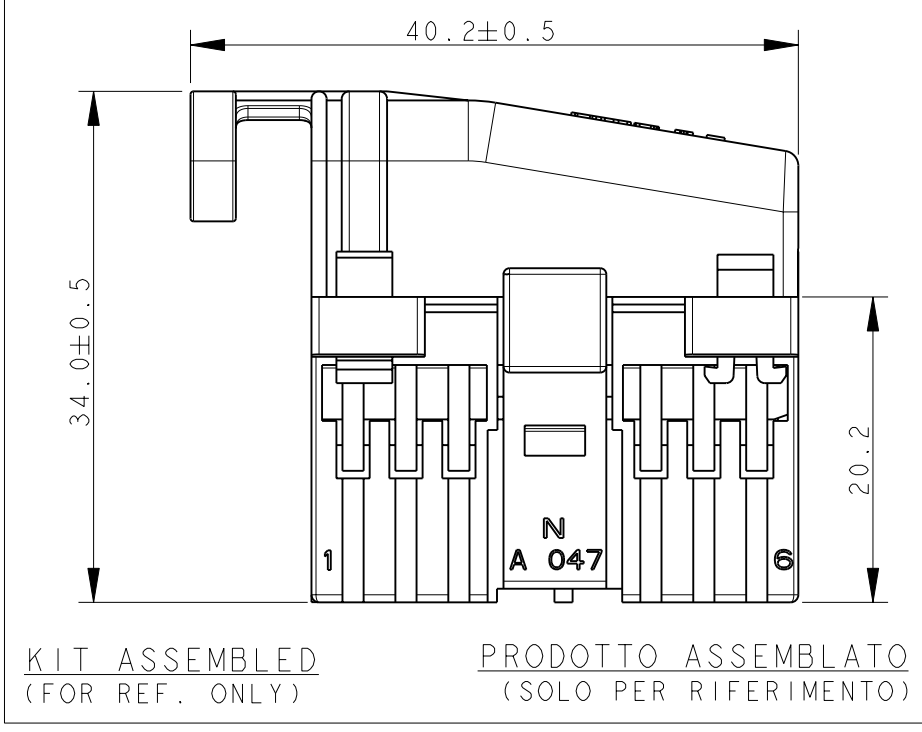
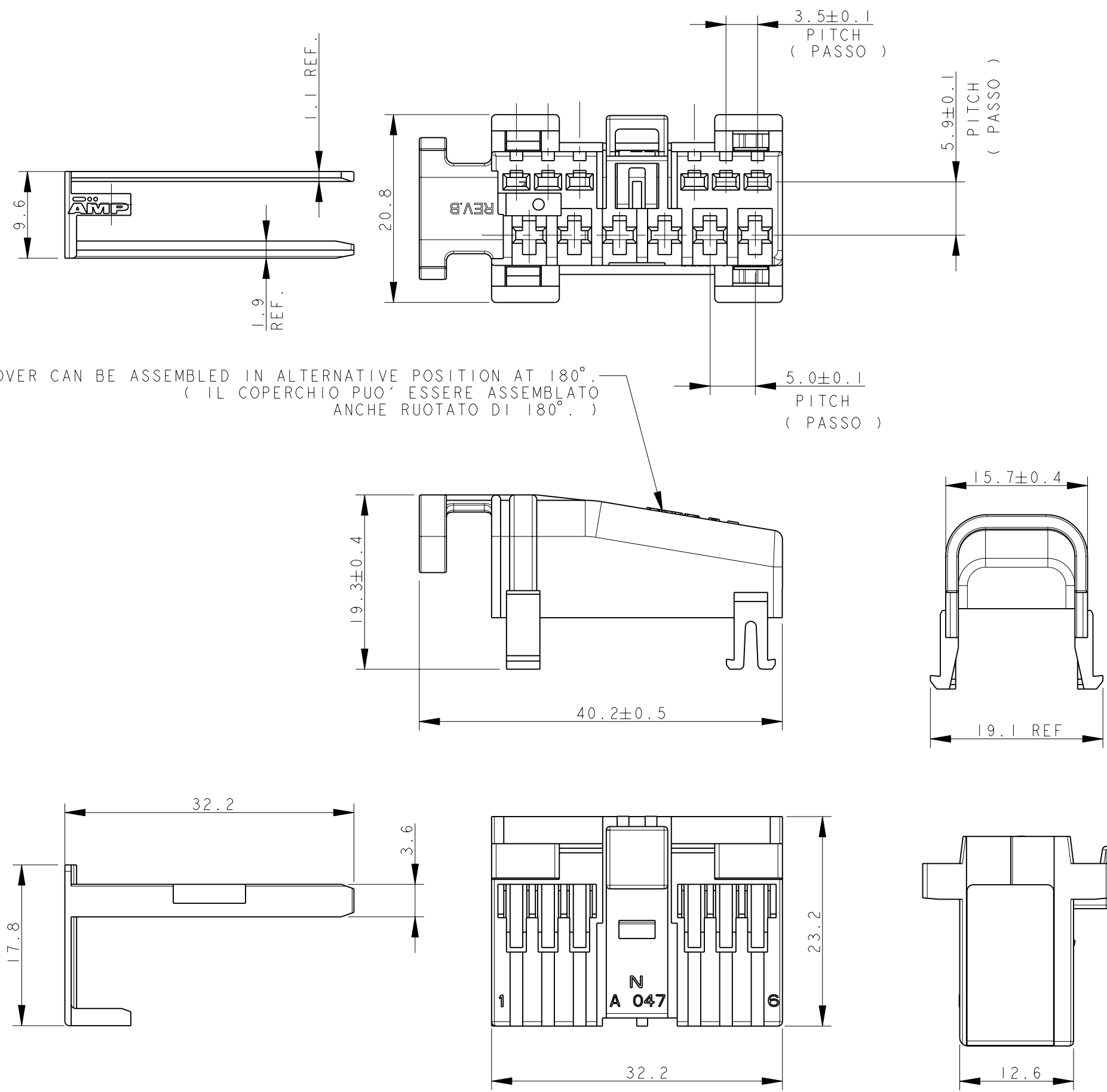
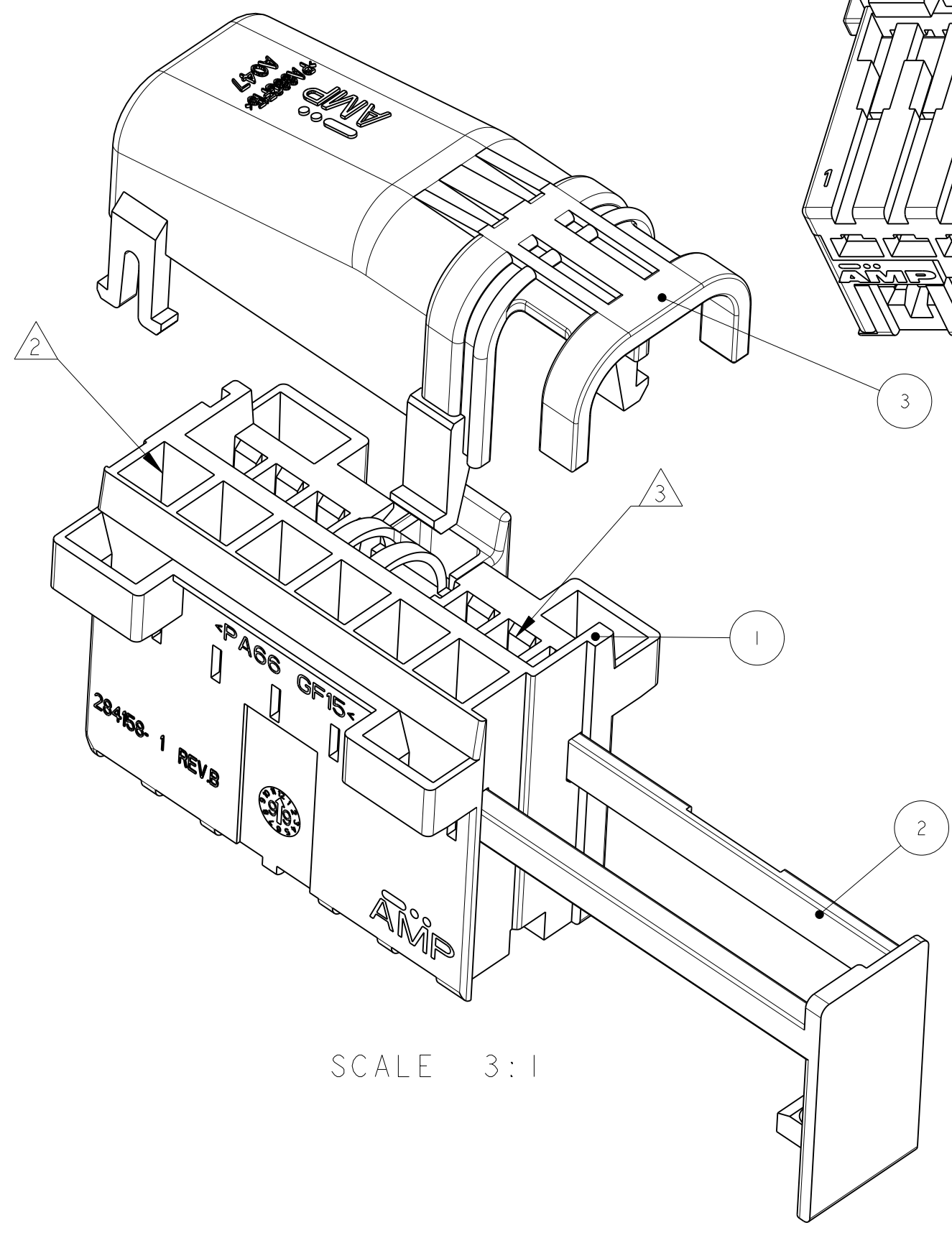
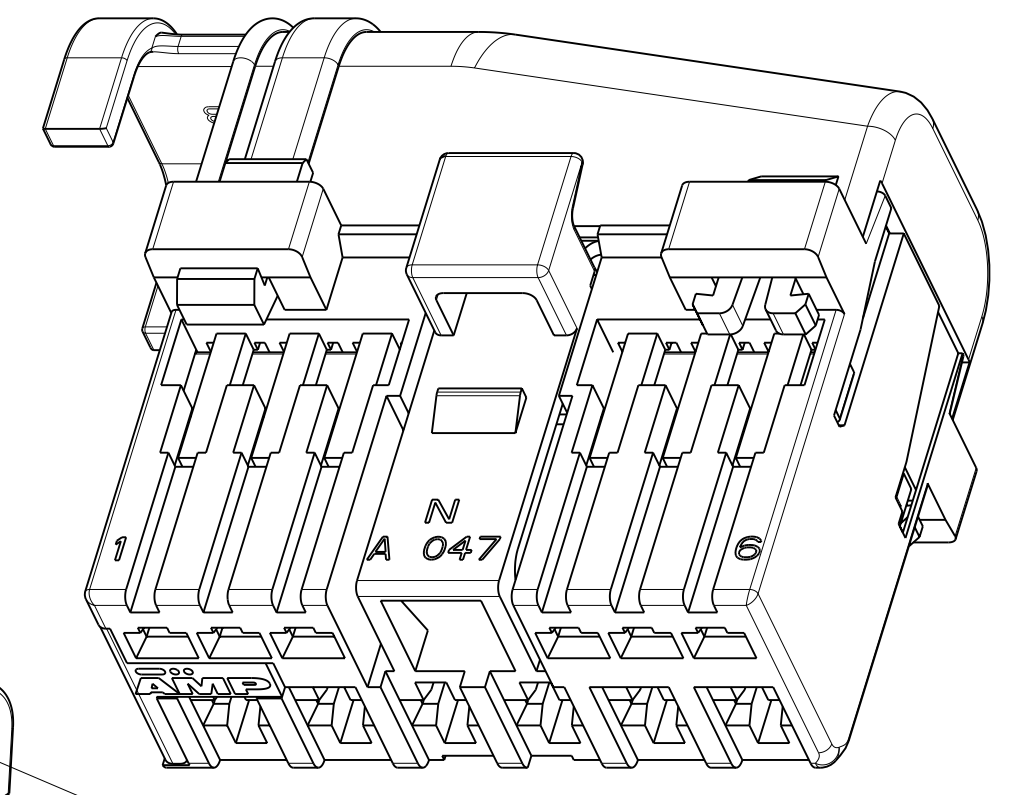


THIS DRAWING IS UNPUBLISHED. RELEASED FOR PUBLICATION 2011  
 © COPYRIGHT 2011 BY - ALL RIGHTS RESERVED.



REVISIONS					
P	LTR	DESCRIPTION	DATE	DWN	APVD
B1		RELEASED FOR PRODUCTION (ET00-0315-99)	02MAR1999	G.S.	O.C.
B2		REVISED AND REDRAWN (ET00-0362-99)	16NOV1999	G.S.	O.C.
C		ADDED SH 3 WITH NEW VERS.(ET00-0046-00)	29FEB2000	F.C.	O.C.
C1		RELEASED FOR PROD NEW VERS(ET00-0257-01)	03DEC2001	F.A.	O.C.
C2		REVISED PER ECR-11-019179	26SEP2011	M.G.	M.G.



P/N 284159-1 AS SHOWN

NOTE:

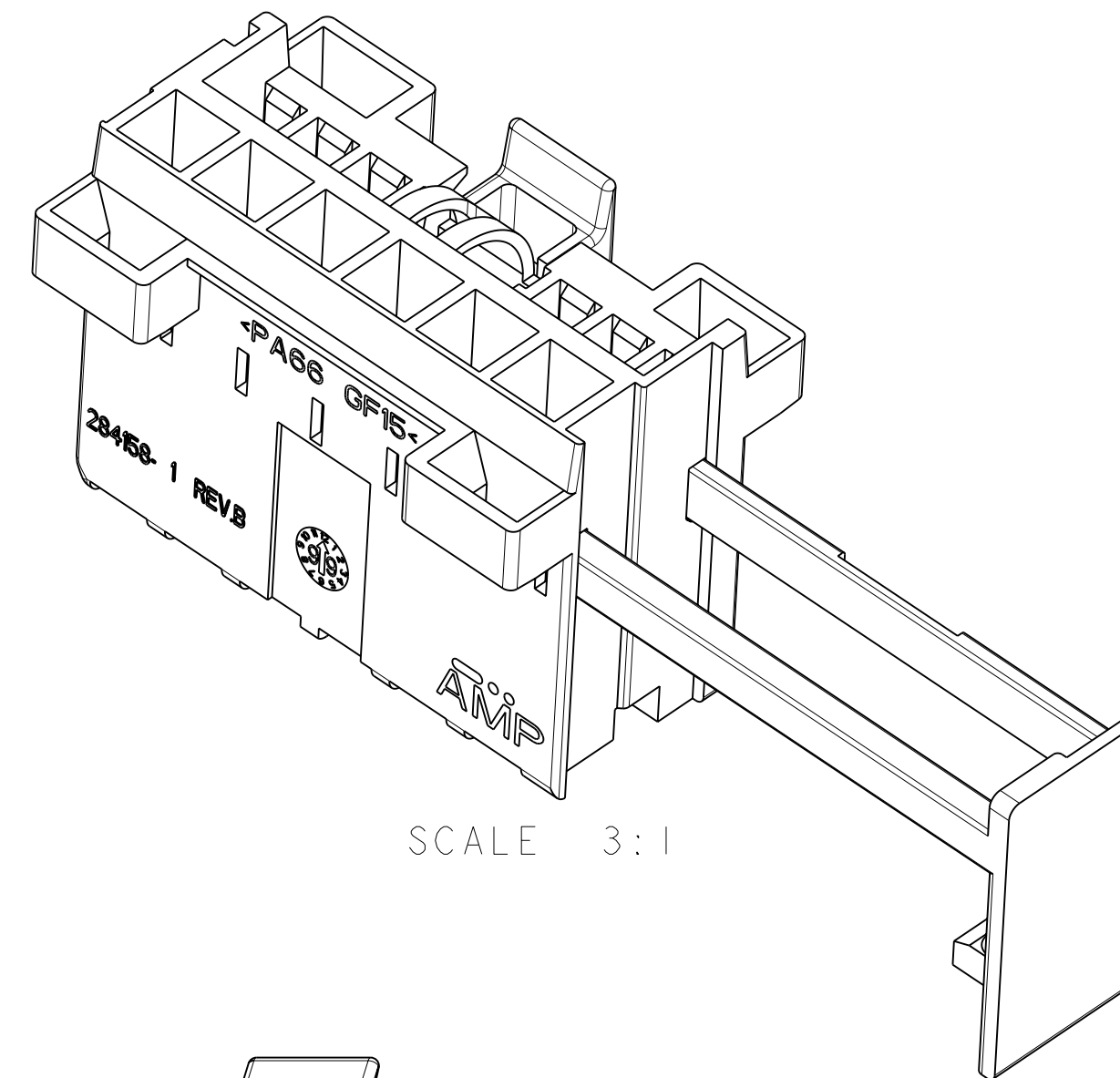
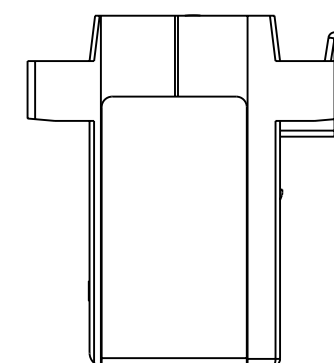
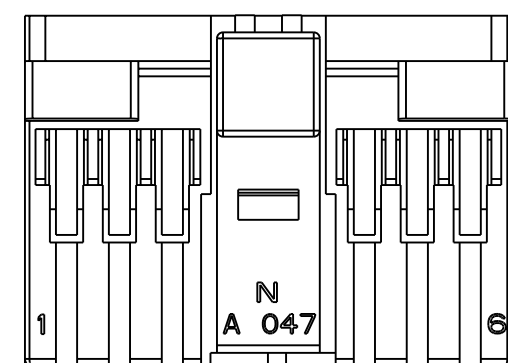
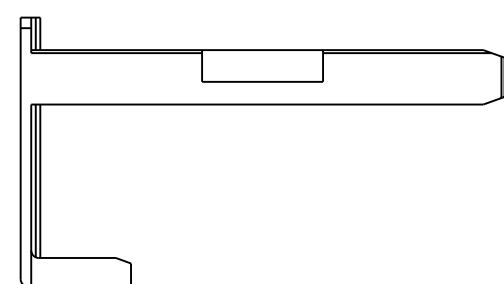
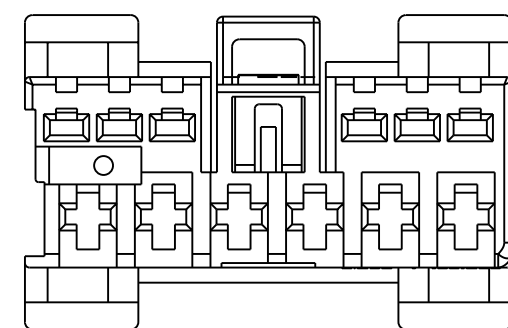
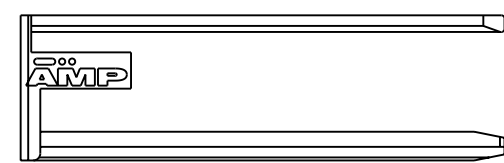
1. HOUSING, COVER AND SECONDARY LOCK ARE SUPPLIED UNASSEMBLED WITH EQUAL NUMBER OF PIECES FOR EACH COMPONENT IN A BOX. ( BLOCCHETTO PORTA FEMMINE, COPERCHIO E AGGANCIO SECONDARIO FORNITI NON ASSEMBLATI IN KIT CON PARI NUMERO DI PEZZI. )
  2. N.° 6 CAVITIES FOR JPT CONTACTS P/N 965999-2 OR P/N 927768-3. ( NUMERO 6 CAVITA' PER CONTATTO TIPO JPT P/N 965999-2 O P/N 927768-3 )
  3. N.° 6 CAVITIES FOR 070 NEW GENERATION P/N's :  
 -284087-1  
 -284088-1  
 ( NUMERO 6 CAVITA' PER CONTATTO 070 NUOVA GENERAZIONE P/N's: )  
 - 284087-1;  
 - 284088-1.
  4. KIT IS SO COMPOSED:  
 ( IL KIT E' COSI' COMPOSTO: )
- ① -HOUSING IN PA 6.6 GF COLOR NATURAL;  
 ( BLOCCHETTO PORTA CONTATTI IN PA 6.6 CARICATO VETRO COLORE NATURALE. )
  - ② -SECONDARY LOCK IN PA 6.6 GF COLOR RED.  
 ( AGGANCIO SECONDARIO IN PA 6.6 CARICATO VETRO COLORE ROSSO. )
  - ③ -COVER IN PA 6.6 GF COLOR BLACK  
 ( COPERCHIO IN PA 6.6 CARICATO VETRO COLORE NERO. )

P/Ns	REV.
284159-1	B
284159-2	B
284159-3	C
284159-4	C
284159-5	C

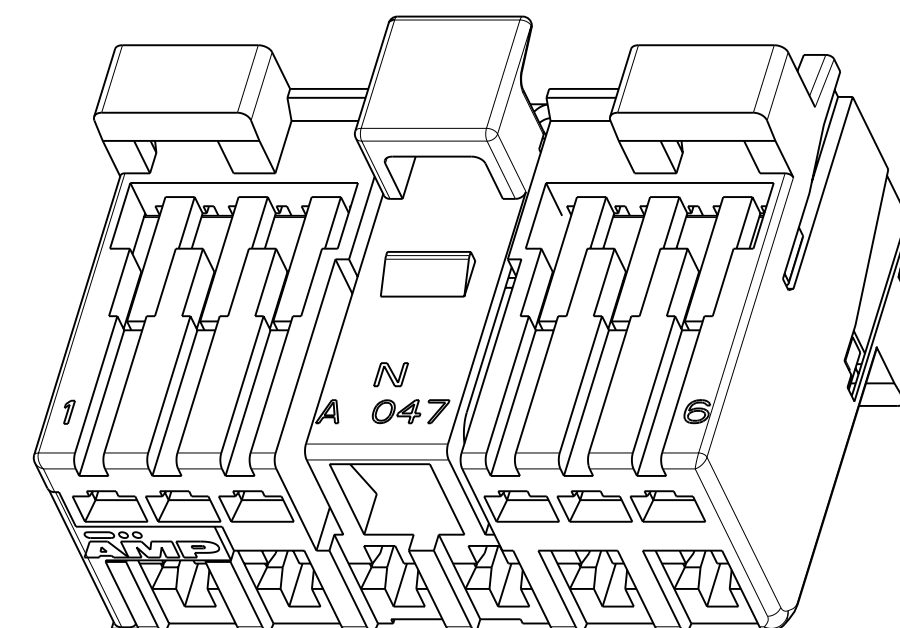
THIS DRAWING IS A CONTROLLED DOCUMENT.

DIMENSIONS: mm	TOLERANCES UNLESS OTHERWISE SPECIFIED: 0 PLC ± 1 PLC ±0.3 2 PLC ± 3 PLC ± 4 PLC ± ANGLES ±°	DWN A. MARANGON 29 JAN 99 CHK O. CANUTO 29 JAN 99 APVD -	TE Connectivity	
MATERIAL SEE NOTES	FINISH	PRODUCT SPEC 108-20198	NAME 12 POSITIONS 070/JPT FEMALE CONNECTOR KIT	
		APPLICATION SPEC	SIZE A20779	CAGE CODE C-284159
		WEIGHT	DRAWING NO C-284159	RESTRICTED TO
		CUSTOMER DRAWING	SCALE 2:1	SHEET 1 OF 3 REV C2

LOC		DIST		REVISIONS			
P	LTR	DESCRIPTION	DATE	DWN	APVD		
		SEE SHEET 1 (VEDERE FOGLIO 1)					



SCALE 3:1



SCALE 3:1

P/N 284159-2 AS SHOWN

NOTE:

- P/N KIT 284159-2 IS THE SAME OF KIT P/N 284159-1 EXCEPT THE COVER: SEE SHEET 1.  
( IL KIT P/N 284159-2 DIFFERISCE DAL KIT P/N 284159-1 PER LA MANCANZA DEL COPERCHIO. VEDERE FOGLIO 1. )
- HOUSING AND SECONDARY LOCK ARE SUPPLIED UNASSEMBLED, WITH EQUAL NUMBER OF PIECES FOR EACH COMPONENT IN A BOX.  
( BLOCCHETTO PORTA FEMMINE E AGGANCIO SECONDARIO FORNITI NON ASSEMBLATI IN KIT CON PARI NUMERO DI PEZZI. )

THIS DRAWING IS A CONTROLLED DOCUMENT.		DWN A. MARANGON 29 JAN 99	TE Connectivity	
		CHK O. CANUTO 29 JAN 99		
DIMENSIONS: mm		PRODUCT SPEC 108-20198		12 POSITIONS 070/JPT FEMALE CONNECTOR KIT
TOLERANCES UNLESS OTHERWISE SPECIFIED:		APPLICATION SPEC		RESTRICTED TO
0 PLC ±		WEIGHT		SIZE
1 PLC ±0.3		-		CAGE CODE
2 PLC ±		-		DRAWING NO
3 PLC ±		-		A200779
4 PLC ±		-		C-284159
ANGLES ±°		CUSTOMER DRAWING		SCALE 2:1
FINISH		-		SHEET 2 OF 3
SEE SHEET 1		-		REV C2

REVISIONS			
LOC	DIST	DESCRIPTION	DATE
		SEE SHEET 1 (VEDERE FOGLIO 1)	

P/N	RAPPRESENTAZIONE 3D (3D VIEW)	COLORE BLOCCHETTO (COLOUR HOUSING)	CONTROPARTE (COUNTERPART)
284159-3		VERDE (GREEN)	284162-3
284159-4		BLU (BLUE)	284162-4
284159-5		GRIGIO (GREY)	284162-5

THIS DRAWING IS A CONTROLLED DOCUMENT.		DWN A MARANGON 29 JAN 99		TE Connectivity	
		CHK O CANUTO 29 JAN 99		NAME	
DIMENSIONS: mm		TOLERANCES UNLESS OTHERWISE SPECIFIED:		PRODUCT SPEC	
		0 PLC ± 1 PLC ±0.3 2 PLC ± 3 PLC ± 4 PLC ± ANGLES ±° FINISH		108-20198	
MATERIAL		WEIGHT		APPLICATION SPEC	
SEE SHEET 1		-		-	
CUSTOMER DRAWING			SCALE 2:1		RESTRICTED TO
			SHEET 3 OF 3		REV C2