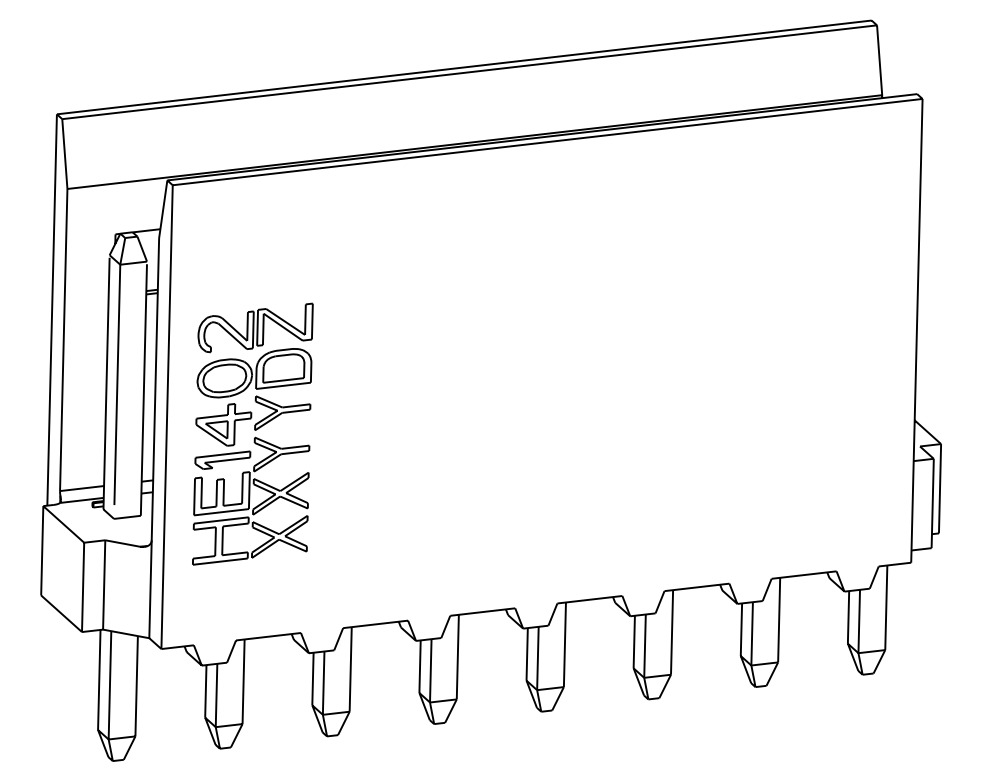
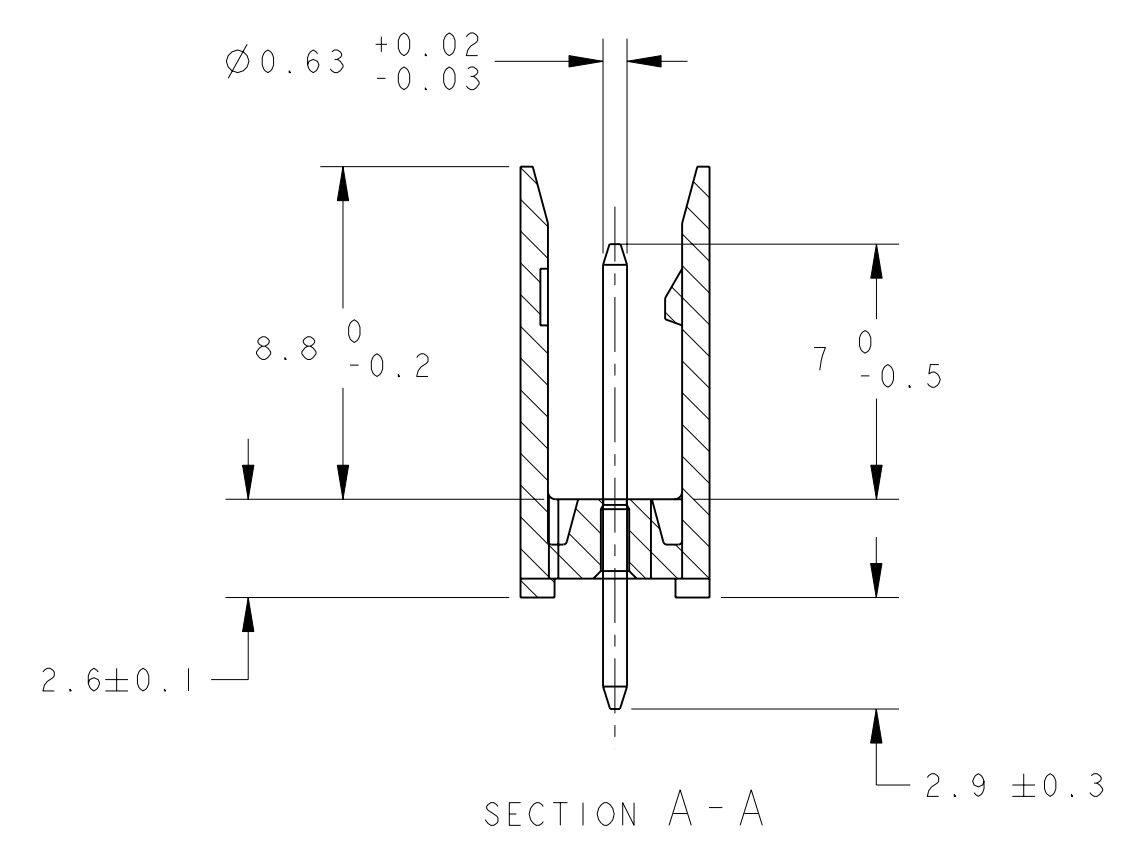
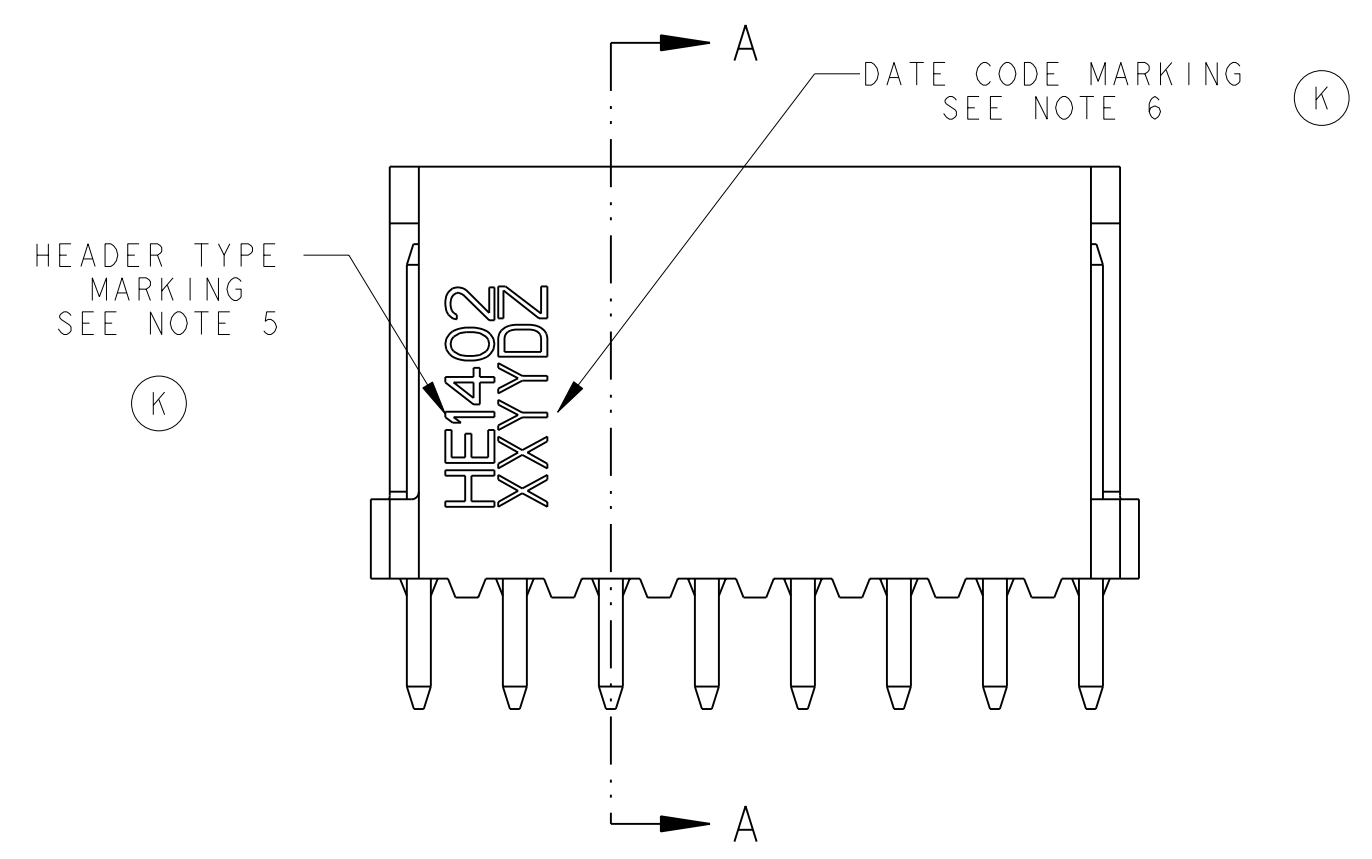
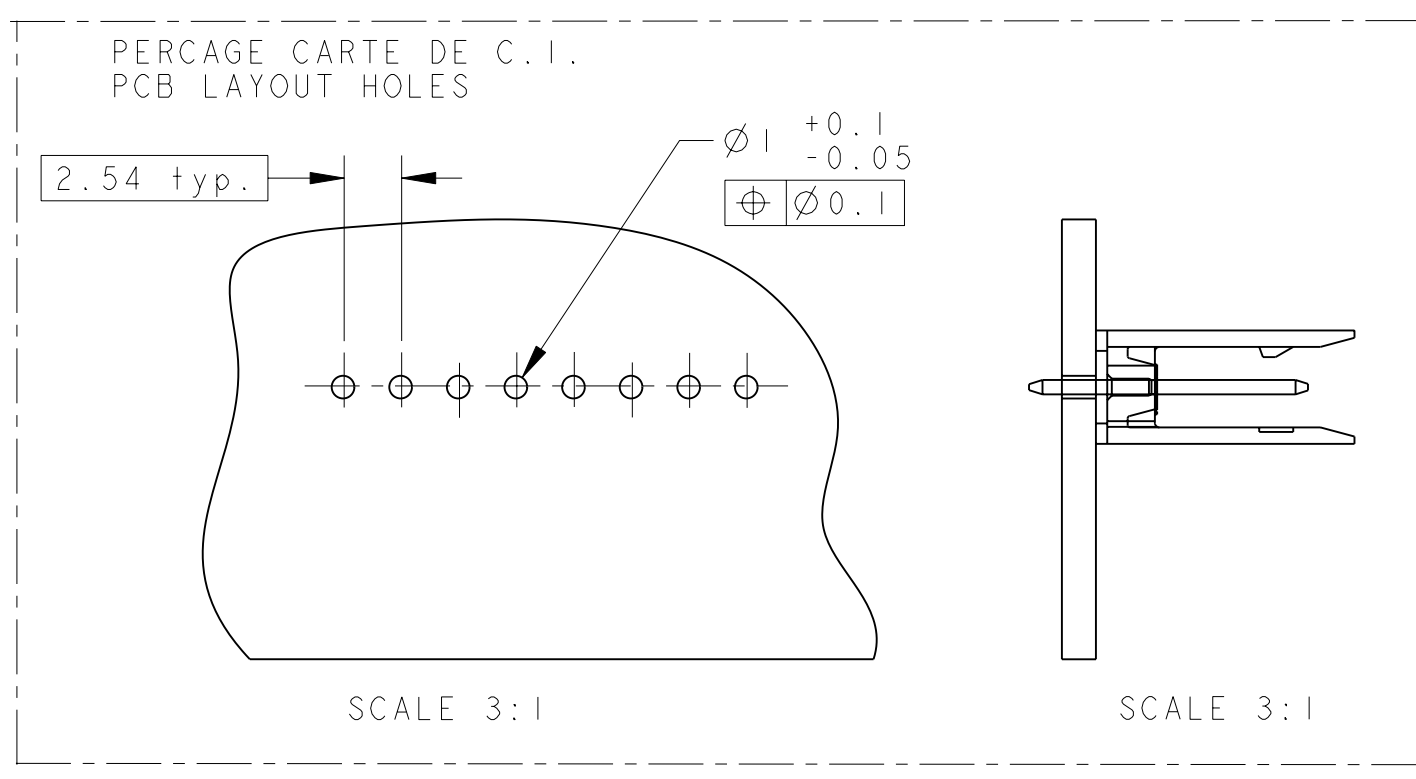
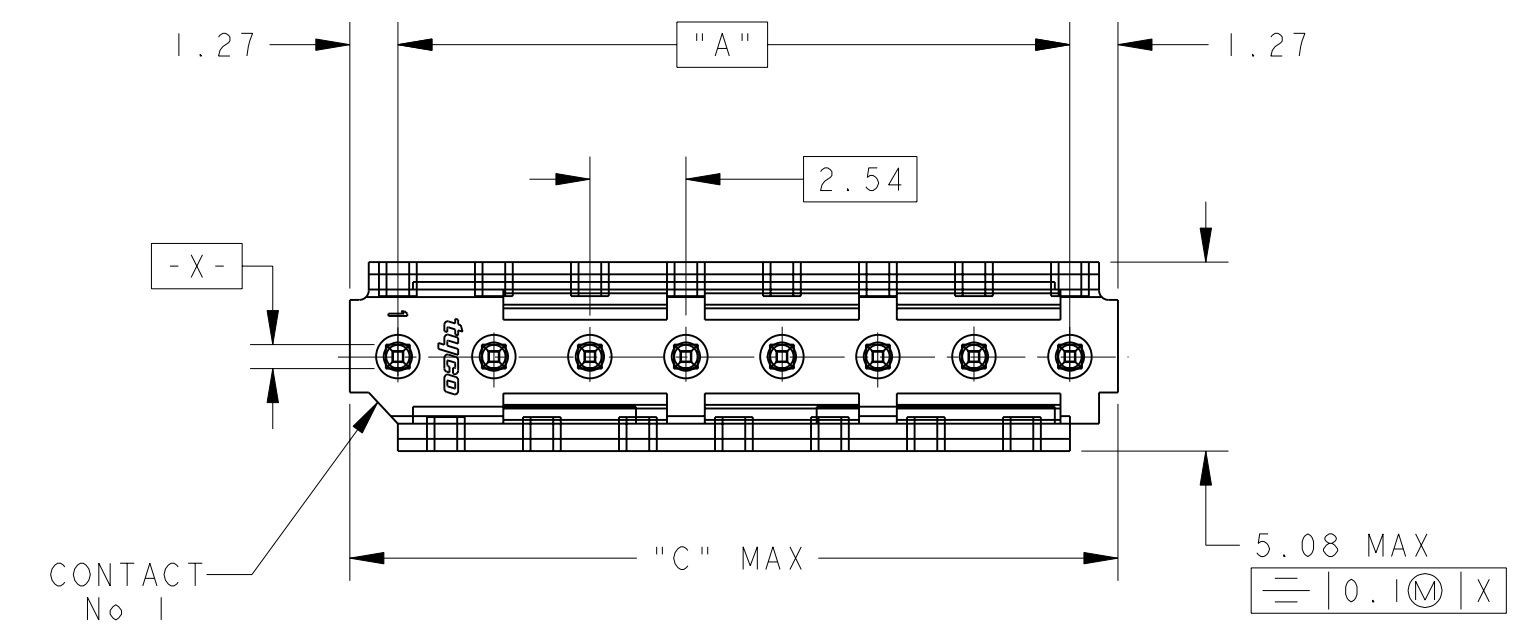


THIS DRAWING IS UNPUBLISHED. / RELEASED FOR PUBLICATION  
 DIFFUSION RESTREINTE / LIBRE A LA DIFFUSION  
 © COPYRIGHT 20 BY - / ALL RIGHTS RESERVED.  
 TOUS DROITS RESERVES

LOC	DIST	REVISIONS			
P	LTR	DESCRIPTION MODIFICATIONS	DATE	DWN DESS.	APVD APP.
F	7	K1	REVISED PER ECO-11-005150	28MAR2011	RK HMR



SCALE 6:1



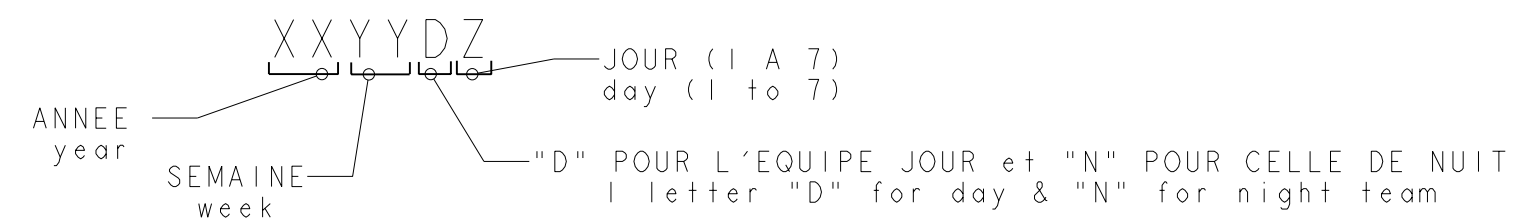
SCALE 3:1

SCALE 3:1

45.72	43.18	18	1-281695-8 *
43.18	40.64	17	1-281695-7
38.10	35.56	15	1-281695-5 *
30.48	27.94	12	1-281695-2 *
25.40	22.86	10	1-281695-0 *
20.32	17.78	8	0-281695-8 *
17.78	15.24	7	0-281695-7
15.24	12.70	6	0-281695-6 *
12.70	10.16	5	0-281695-5 *
10.16	7.62	4	0-281695-4 *
7.62	5.08	3	0-281695-3 *
5.08	2.54	2	0-281695-2
C	A	Nb DE POS	PART NUMBER
DIMENSIONS			

NOTES:

- CES EMBASES SONT PREVUES POUR ETRE ACCOUPLEES AVEC LES FICHES "HE1402" SIMPLE RANGEE.  
(These headers are designed to be mated with "HE1402" connectors single row)
- LES REFERENCES SUIVIES D'UN \* SONT LES VERSIONS NORMALISEES SELON LA NORME CEI 603-8  
(The parts numbers followed by \* are covered by the international standard IEC 603-8)
- RETEVEMENT DES CONTACTS: ETAIN PUR SUR NICKEL  
(Contacts plating: lead free tin over nickel)
- MATIERE PLASTIQUE: TERMO-PLASTIQUE HAUTE TEMPERATURE, UL-94V0, COULEUR BLEUE  
(Plastic material: High temperature thermoplastic, UL-94V0, Blue color)  
MATIERE DES CONTACTS: BRONZE PHOSPHOREUX  
(Contacts material: phosphor bronze)
- MARQUAGE DU TYPE D'EMBASE (HE1402) A L'ENCRE NOIRE  
(header type marking (HE1402) with black ink)
- MARQUAGE DE LA DATE A L'ENCRE NOIRE :  
(date code marking with black ink)



THIS DRAWING IS A CONTROLLED DOCUMENT.		DWN/DESSINE: 22NOV2000 C. COMBEDOUZON	TE Connectivity							
DIMENSIONS: mm		CHK/VERIFIE: 22NOV2000 T. CORRIOLU			NAME / TITRE: HEADERS HE14, SINGLE ROW, STRAIGHT					
TOLERANCES UNLESS OTHERWISE SPECIFIED: (SUIV. NB DE DECIMALES) 0 PLC/DEC: ±0.3 1 PLC/DEC: ±0.13 2 PLC/DEC: ±0.013 3 PLC/DEC: ±0.001 4 PLC/DEC: ±0.001 ANGLES: ±5°		APVD/APROUVE: 22NOV2000 Y. PETRONIN	PRODUCT SPEC: 108-15053	SIZE FORMAT: A2	CAGE CODE: 20779	DRAWING NO: 281695	RESTRICTED TO RESERVE A: -			
MATERIAL/MATIERE: SEE/VOIR NOTE 4		FINISH/FINITION: SEE/VOIR NOTE 3		WEIGHT/MASSE APPROX.: -	CUSTOMER DRAWING / PLAN CLIENT	UNIQUEMENT POUR REFERENCE	SCALE/ECHELLE: 5:1	SHEET FEUILLE: 1	OF DE: 1	REV: K1