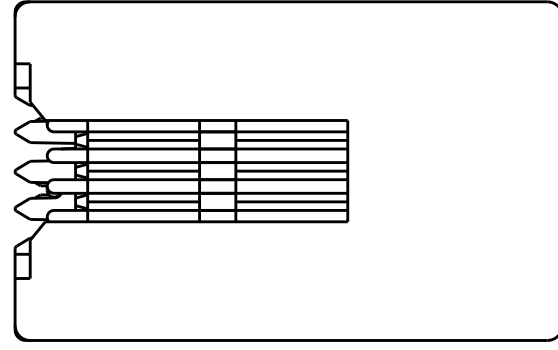


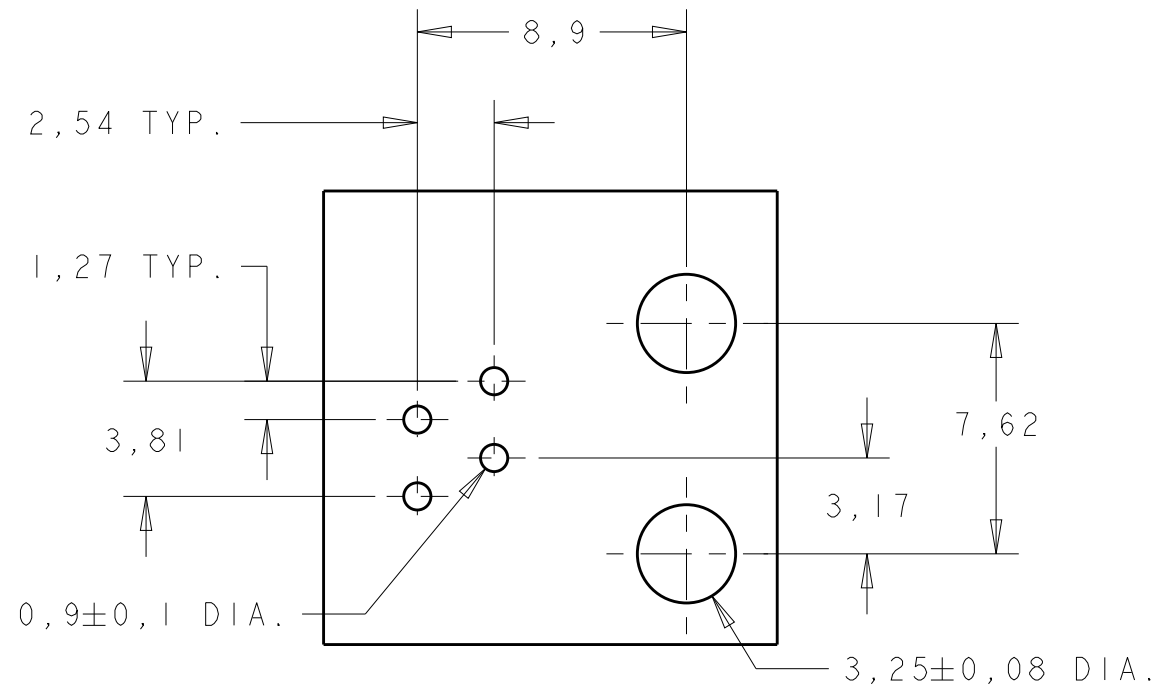
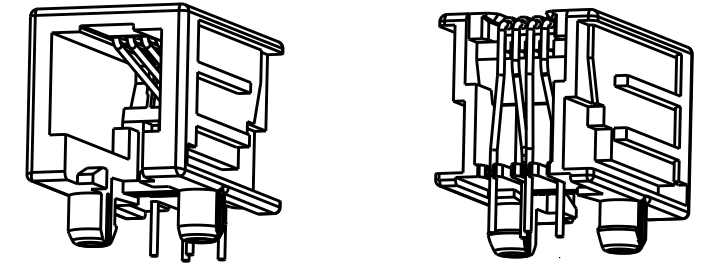
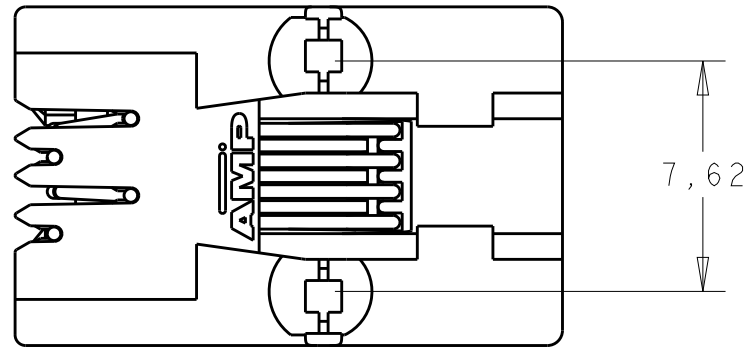
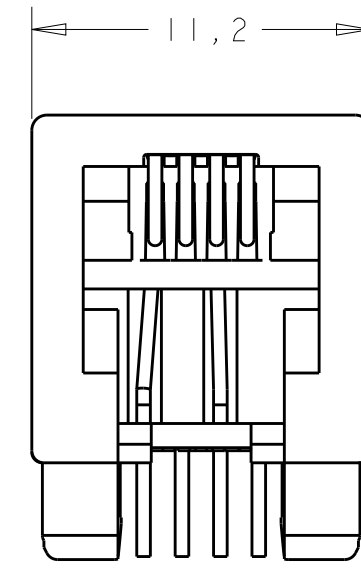
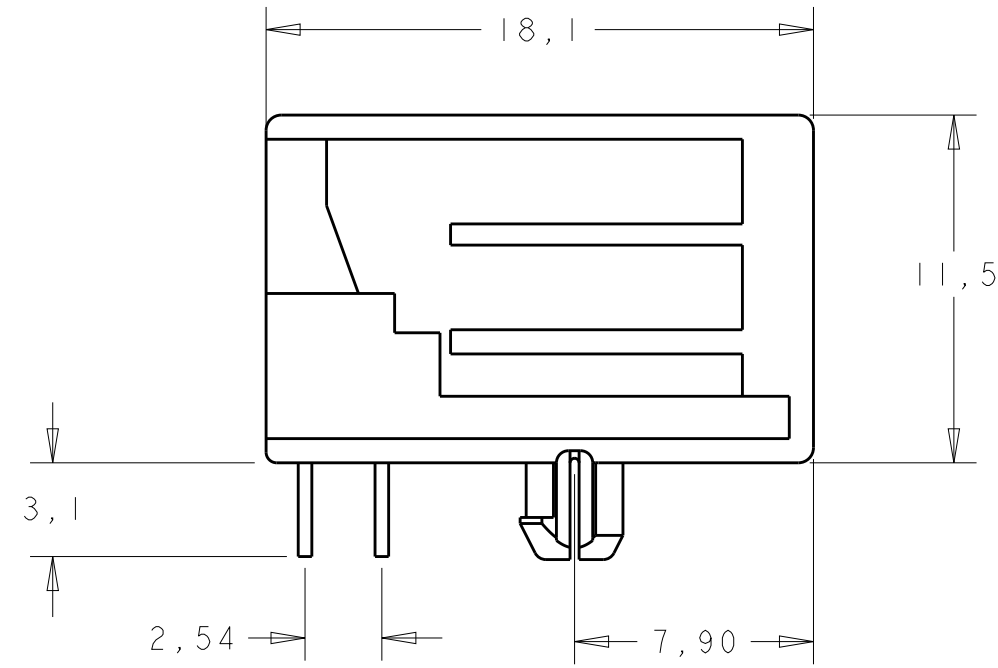
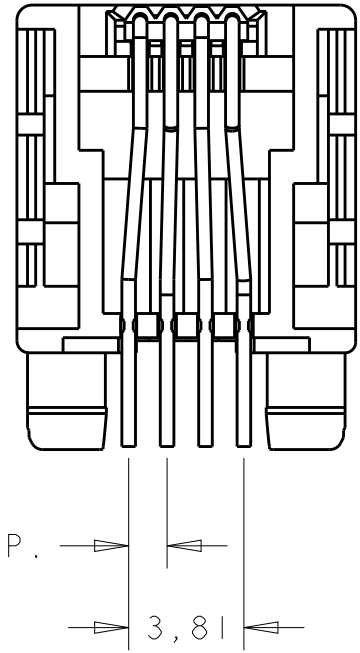
THIS DRAWING IS UNPUBLISHED. RELEASED FOR PUBLICATION
 © COPYRIGHT copyright_date ALL RIGHTS RESERVED.

LOC	DIST	REVISIONS					
		P	LTR	DESCRIPTION	DATE	DWN	APVD
IR	-		U	ECR-05-012760	1-OCT-05	-	JB
			V	ECR-10-020218	28DEC2010	PS	RRP
			W	ECO-13-015831	9OCT2013	AD	SH
			Y	ECO-17-017971	08DEC2017	AD	SH



NOTES:

- 1 TOLERANCE UNLESS OTHERWISE SPECIFIED: 0,15.
- 2 BULK PACKAGING: TRUE POSITIONING OF THE SOLDER TINES IS NOT GUARANTEED.
- 3 SUPERSEDED BY 1-215876-3
- 4 SUPERSEDED BY 215875-1
- 5 OBSOLETE 3-215875-3



OBSOLETE

OVERALL: Ni 1.27µm MIN. ALL OVER THE CONTACTS	HOUSING, COLOR BLACK: PBT 20% GF, UL 94V-0	290 PCS IN A TRAY	1-215875-3
SOLDER ZONE: Sn 2.5µm MIN. ON THE SOLDER ZONE OF THE CONTACT	CONTACT INSERT: PBT, UL 94V-0	50 PCS IN A TUBE (SEE SHEET 2)	3-215875-3
MATING ZONE: PLATING CONFIRMS TO PRODUCT REQUIREMENTS AS PER SPECIFICATION 108-19064	CONTACTS: PH, BRONZE	BULK PACKAGED IN A BOX	2-215875-1
		126 PIECES IN MULTI-TUBE	1-215875-1
		TAPE MOUNTED 1000pcs./reel	215875-1
FINISH	MATERIAL	PACKAGING	PARTNUMBER

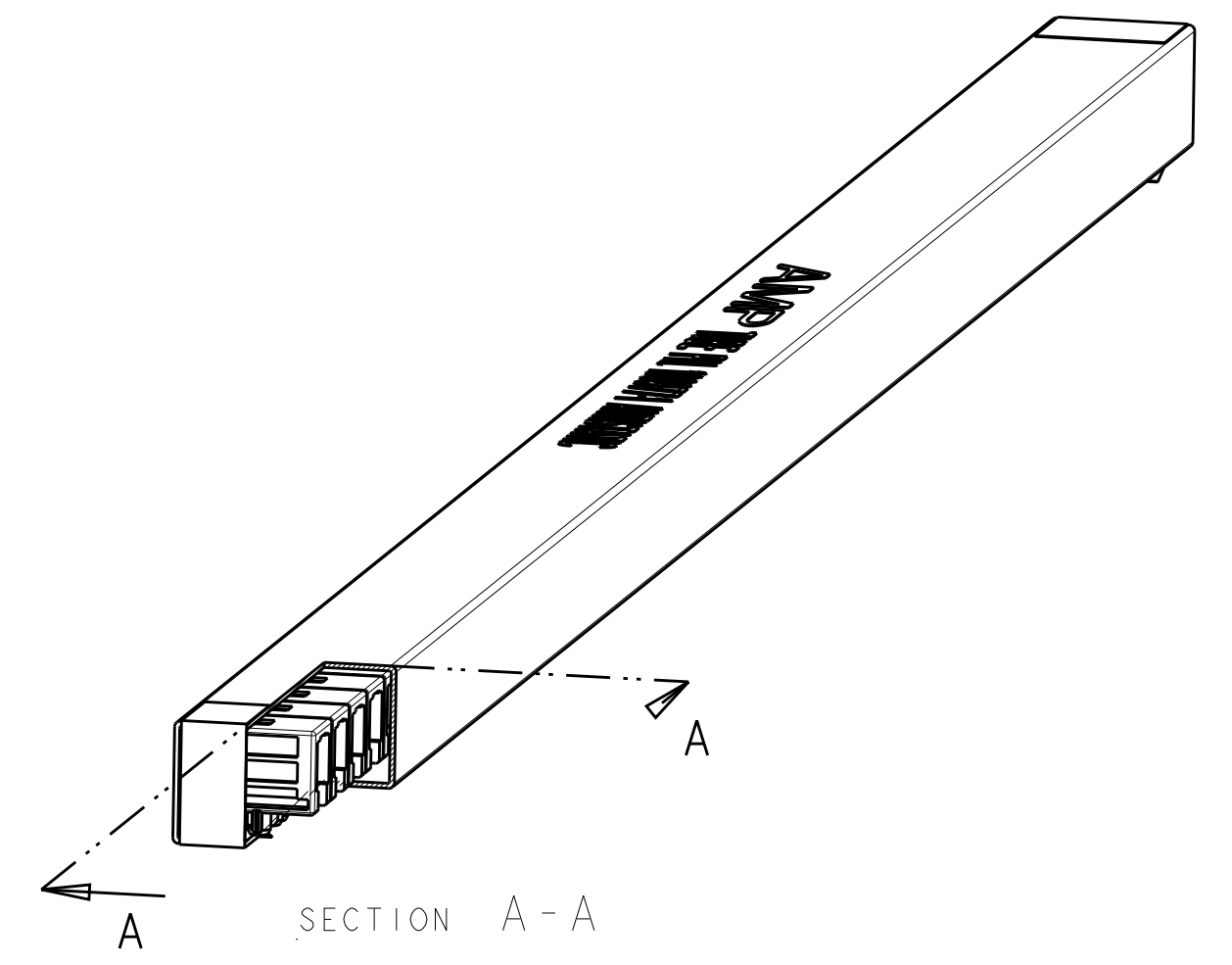
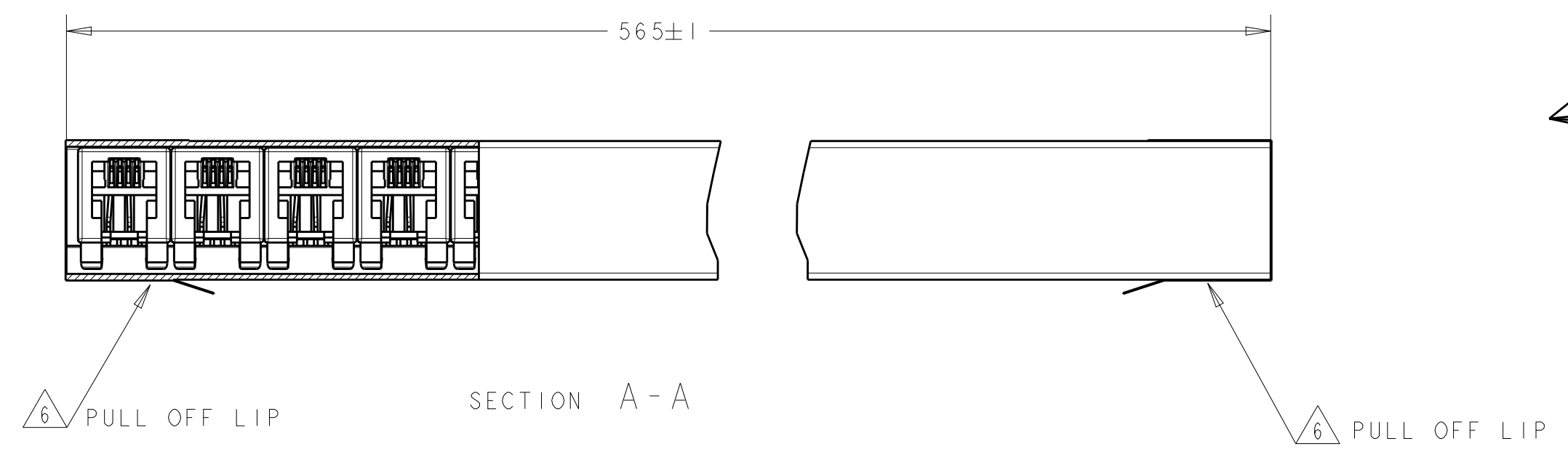
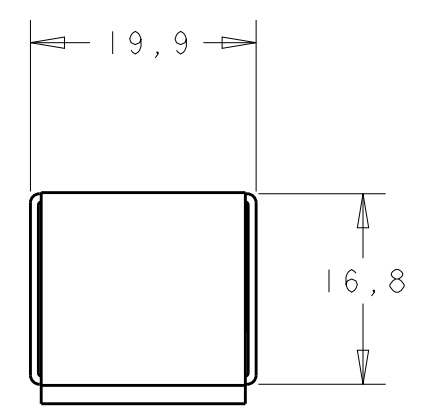
THIS DRAWING IS A CONTROLLED DOCUMENT.		DWN E. v. EIJK	TE Connectivity	
DIMENSIONS: mm		CHK M. v. ESSEN		
TOLERANCES UNLESS OTHERWISE SPECIFIED:		APVD R. SMEETS	NAME MODULAR JACK SIDE ENTRY 4/4 FOR PRINTED CIRCUIT BOARD	
0 PLC ±	1 PLC ±	PRODUCT SPEC 108-19064	SIZE CAGE CODE DRAWING NO RESTRICTED TO	
2 PLC ±	3 PLC ±	APPLICATION SPEC 114-19019	A20779C-215875	
4 PLC ±	ANGLES ±	WEIGHT -	SCALE 4:1 SHEET 1 OF 2 REV Y	
FINISH		CUSTOMER DRAWING		

THIS DRAWING IS UNPUBLISHED. RELEASED FOR PUBLICATION
 © COPYRIGHT copyright_date ALL RIGHTS RESERVED.

LOC	DIST	REVISIONS			
P	LTR	DESCRIPTION	DATE	DWN	APVD
IR	-	SEE SHEET 1	-	-	-
-	-	-	-	-	-
-	-	-	-	-	-
-	-	-	-	-	-

NOTES:

- 5 TUBE IS TRANSPARANT PVC.
- 6 TUBE IS CLOSED AT BOTH ENDS BY A TAPE.



THIS DRAWING IS A CONTROLLED DOCUMENT.

DWN E. v. EIJK	STE TE Connectivity				
CHK M. v. ESSEN					
APVD R. SMEETS	NAME MODULAR JACK SIDE ENTRY 4/4 FOR PRINTED CIRCUIT BOARD	SIZE A2	CAGE CODE p0779	DRAWING NO. C-215875	RESTRICTED TO -
DIMENSIONS: mm	TOLERANCES UNLESS OTHERWISE SPECIFIED: 0 PLC ± 1 PLC ± 2 PLC ± 3 PLC ± 4 PLC ± ANGLES ± FINISH	PRODUCT SPEC 108-19064	APPLICATION SPEC 114-19019	WEIGHT -	SCALE 4:1
MATERIAL -	-	CUSTOMER DRAWING	SHEET 2 OF 2	REV W	