

4

3

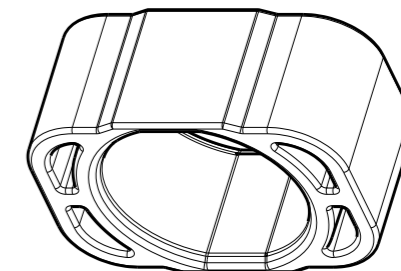
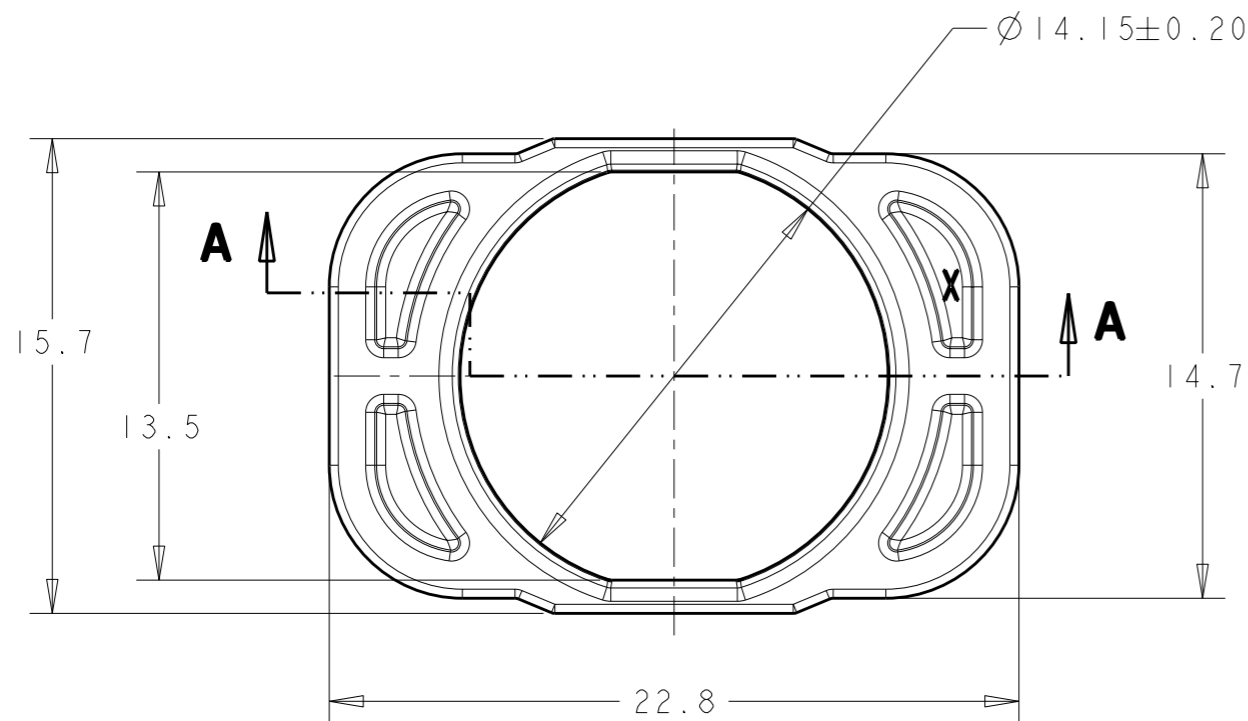
2

1

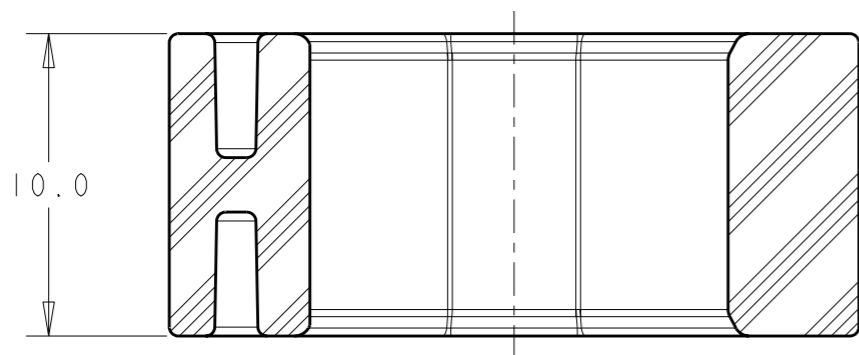
THIS DRAWING IS UNPUBLISHED. RELEASED FOR PUBLICATION 20

© COPYRIGHT 20 BY TYCO ELECTRONICS CORPORATION ALL RIGHTS RESERVED.

LOC	DIST	REVISIONS				
P	LTR	DESCRIPTION	DATE	DWN	APVD	
HV	00	A	ECO-11-024207	02DEC2011	DR	DR



SCALE 2:1



SECTION A-A

△ MATERIAL:
 TYPE: PBT 30%GF
 COLOR: BLACK

2103153-1
 PART NO

THIS DRAWING IS A CONTROLLED DOCUMENT.		DWN D. RHEIN 02DEC2010	TE Connectivity		
DIMENSIONS: mm		CHK D. RHEIN 13JAN2011			
TOLERANCES UNLESS OTHERWISE SPECIFIED:		APVD J. BOLEWITZ 13JAN2011	NAME SPACER, PLUG HVA280-2PHM		
0 PLC ± 1 PLC ±0.2 2 PLC ±0.10 3 PLC ± 4 PLC ± ANGLES ±1°		PRODUCT SPEC	RESTRICTED TO		
MATERIAL △		APPLICATION SPEC	SIZE A3	CAGE CODE 00779	DRAWING NO C-2103153
FINISH		WEIGHT 2.28g	CUSTOMER DRAWING		
		CUSTOMER DRAWING	SCALE 4:1	SHEET	OF
				REV A	