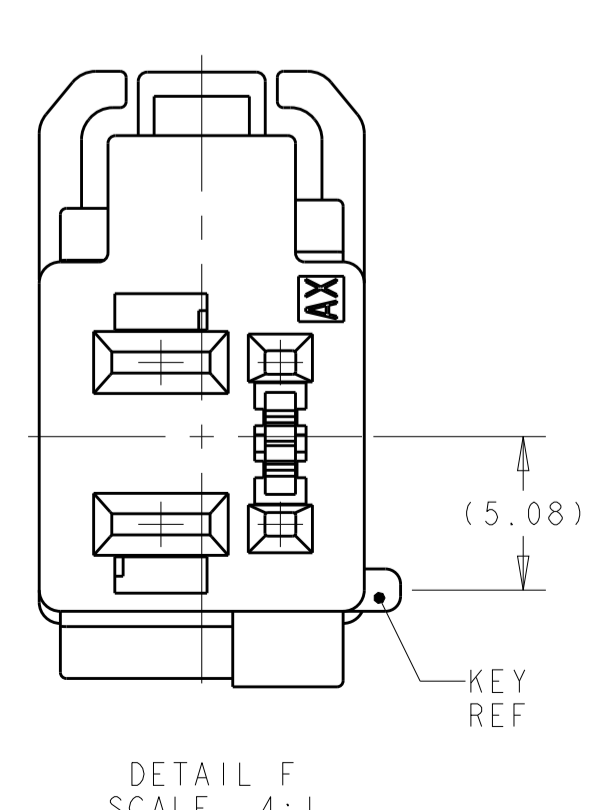
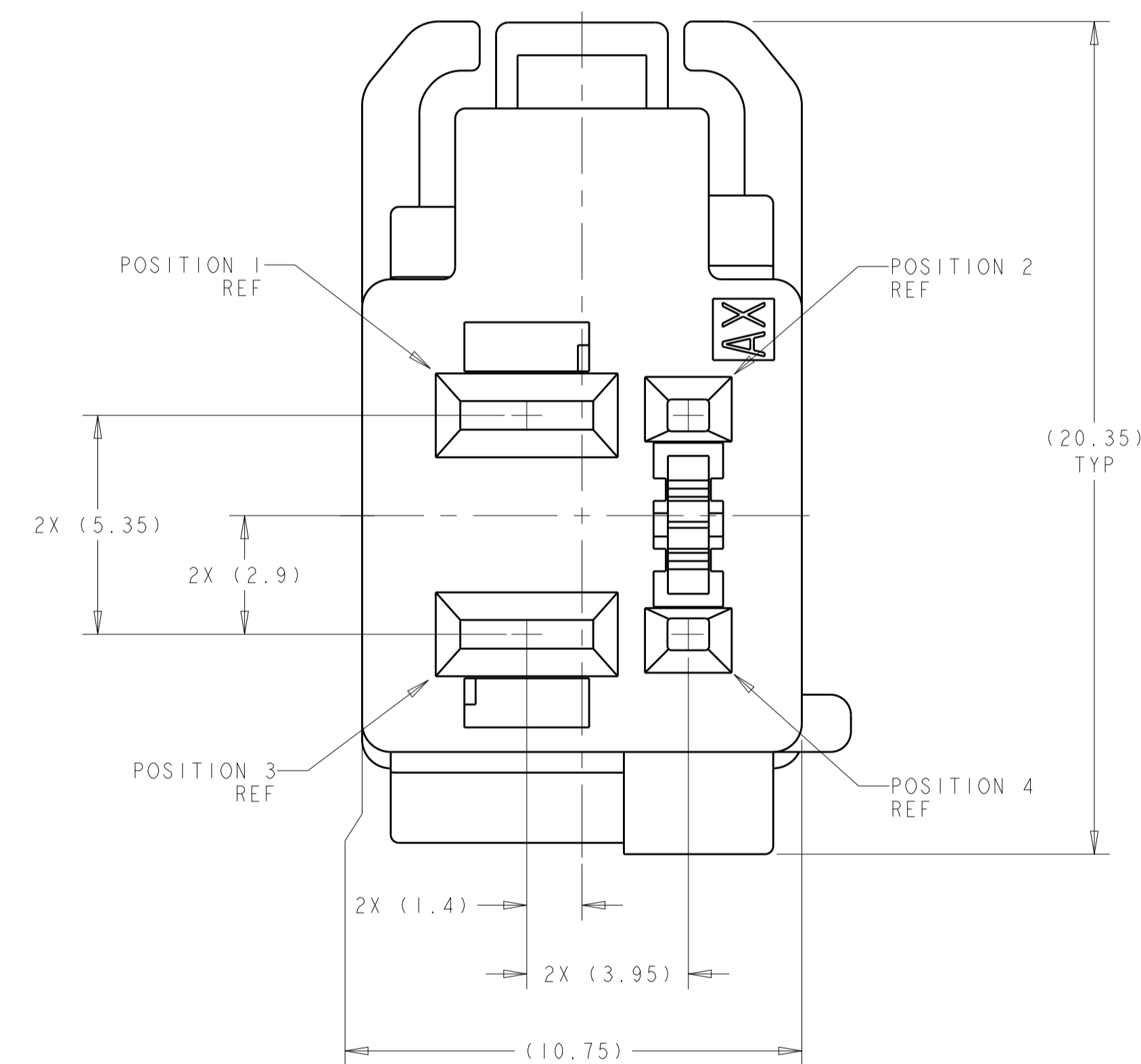
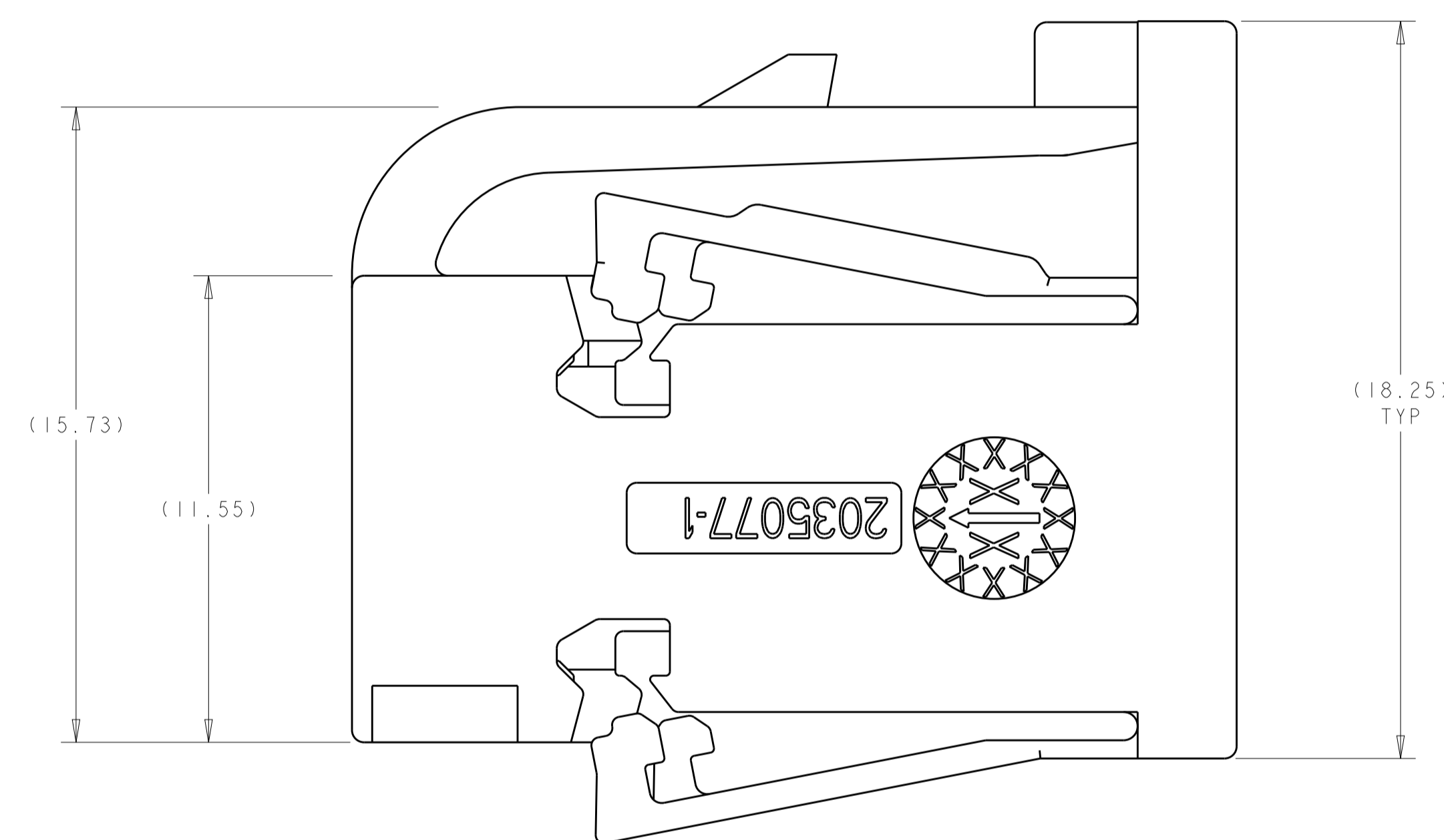
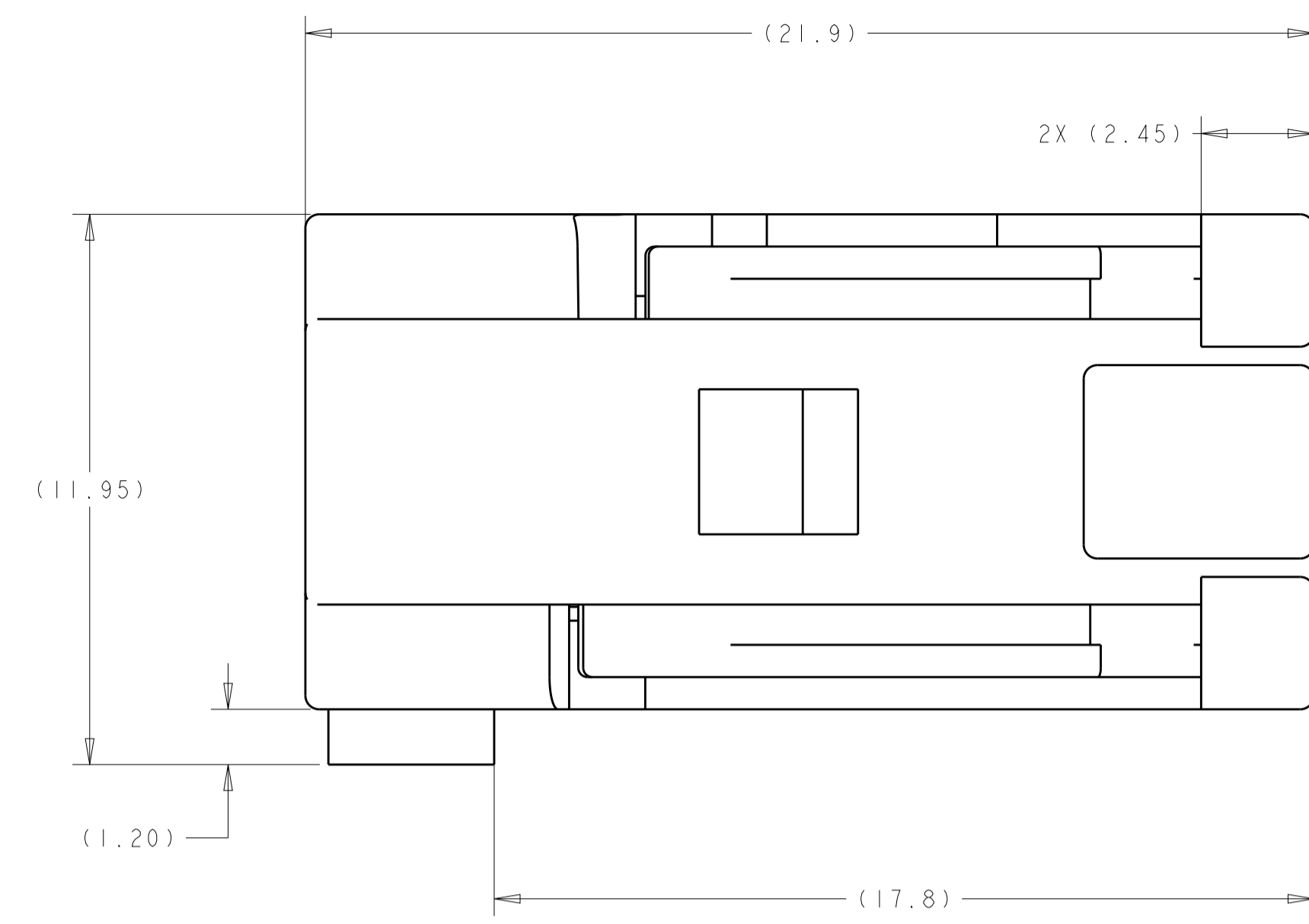
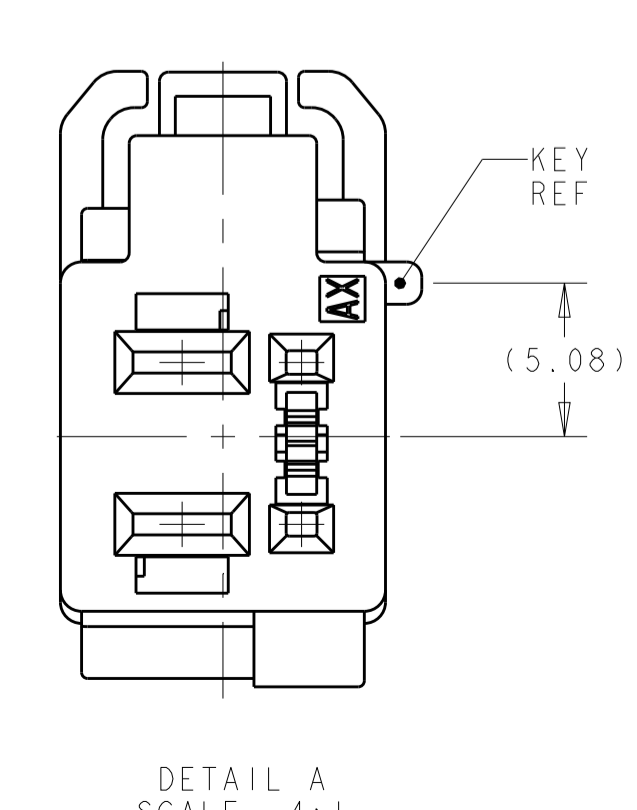


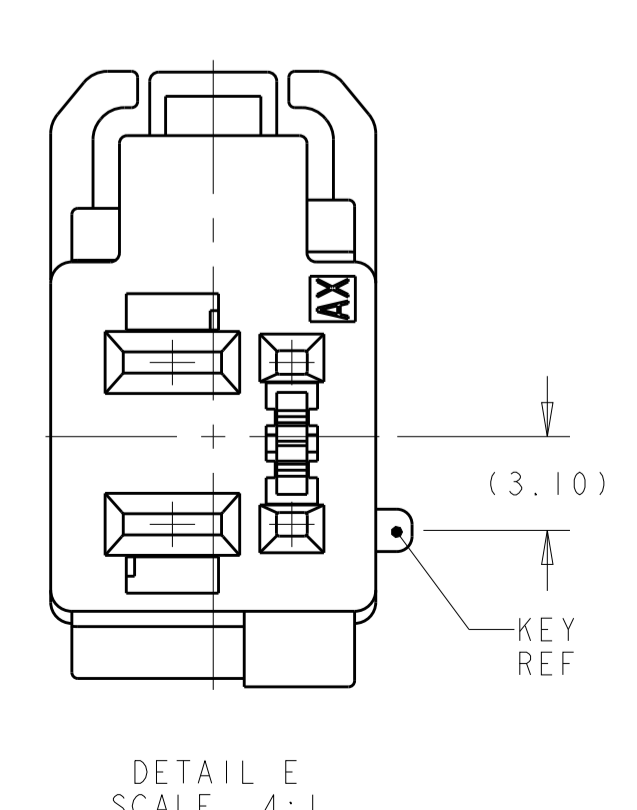
ISOMETRIC VIEWS  
SCALE 4:1



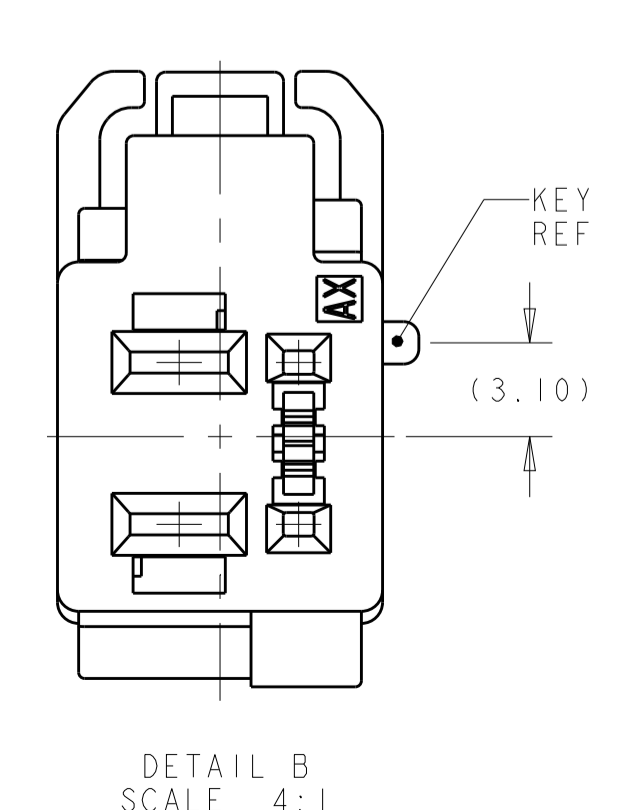
DETAIL F  
SCALE 4:1



DETAIL A  
SCALE 4:1



DETAIL E  
SCALE 4:1



DETAIL B  
SCALE 4:1

REVISIONS					
P.	LTN.	DESCRIPTION	DATE	DWN.	APVD.
A		RELEASED PER ECO-11-007933	14APR2011	DLD	DLD
B		REVISED PER ECO-12-008641	10MAY2012	MBH	RH
B1		REVISED PER ECO-12-022332	27DEC2012	DLD	CJS
B2		REVISED PER ECO-20-009235	05AUG2020	JMS	CS

- △ POLYESTER PBT, 15% GLASS FILLED.
- 2. -PLUG HOUSING POSITIONS 1 AND 3 WILL ACCEPT TE MPO RECEPTACLE PART NUMBER 968074-2, 968075-2, 968678-2.
- PLUG HOUSING POSITIONS 2 AND 4 WILL ACCEPT TE FEMALE CONTACT PART NUMBER 1924955-X.
- 3. SEE 2035077-MXCU FOR INTERFACE DETAILS.
- △ PENDING OBSOLESCENCE. REPLACED BY THE 1-2035077-X VERSION. SEE SHEET 2

KEYING	KEY CODE	COLOR	PART NUMBER
△	B	BROWN	2035077-4
△	E	DARK GRAY	2035077-3
△	A	LIGHT GRAY	2035077-2
△	F	BLACK	2035077-1

THIS DRAWING IS A CONTROLLED DOCUMENT.

DWN: D.J. HARDY 18FEB2008  
CHK: R.D. HETRICK 07MAY2008  
APVD: R.D. HETRICK 07MAY2008

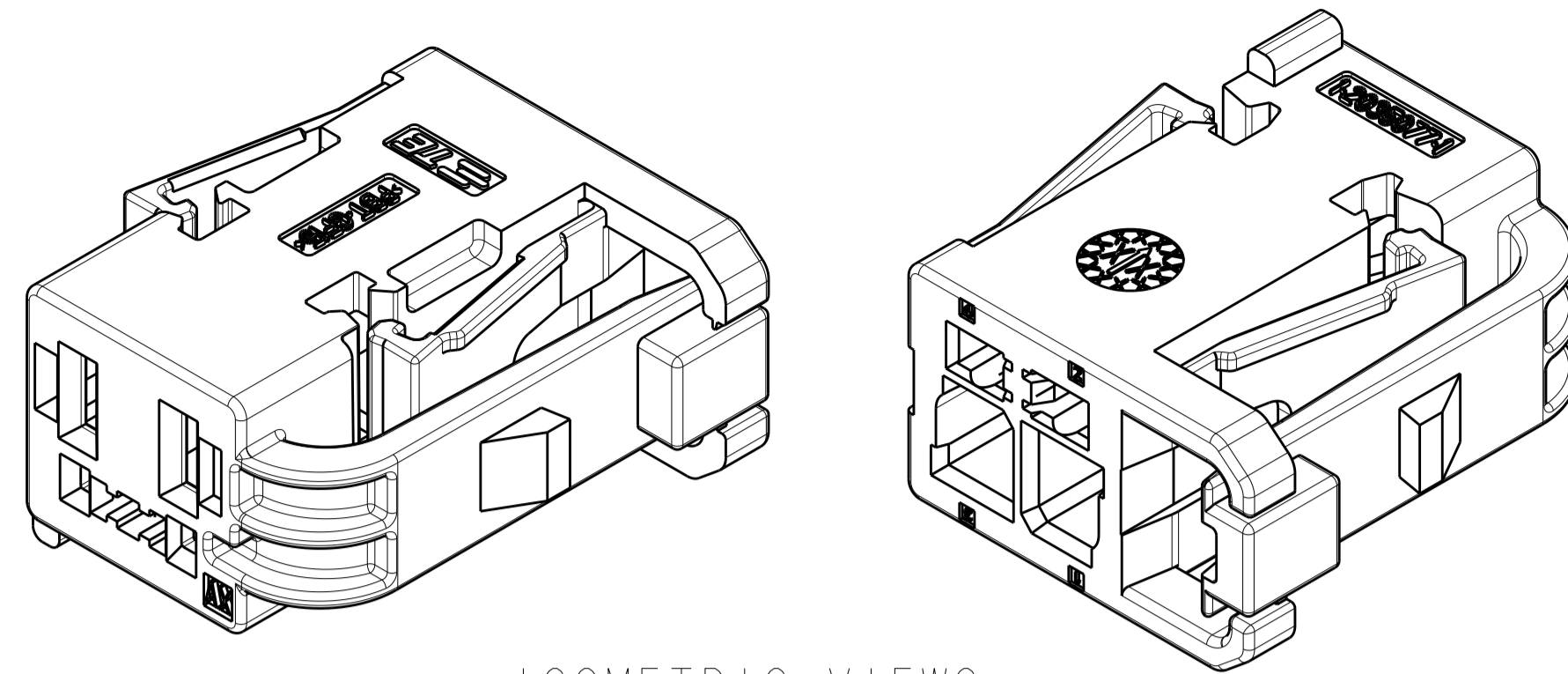
**STE** TE Connectivity

NAME: PLUG HOUSING, 4 POSITION (2x0.64mm - 2x2.8mm), UNSEALED, GENERATION Y/2.8 HYBRID

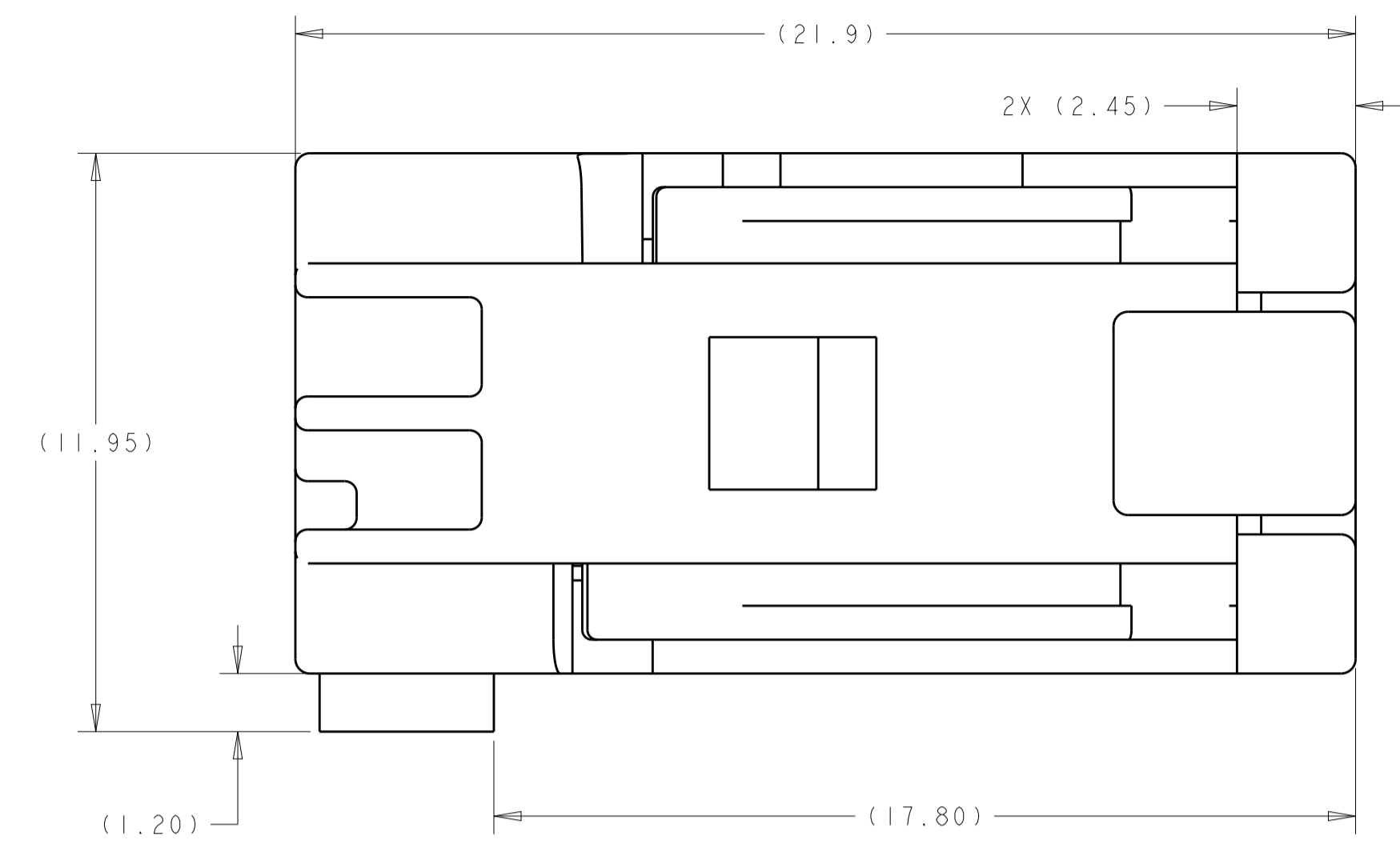
SIZE: A | 00779 | C=2035077

CUSTOMER DRAWING | SCALE: 8:1 | SHEET 1 OF 2 | REV: B2

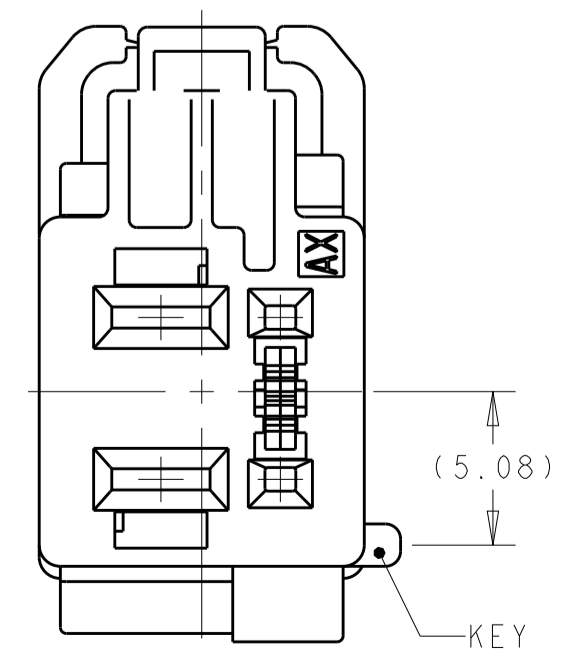
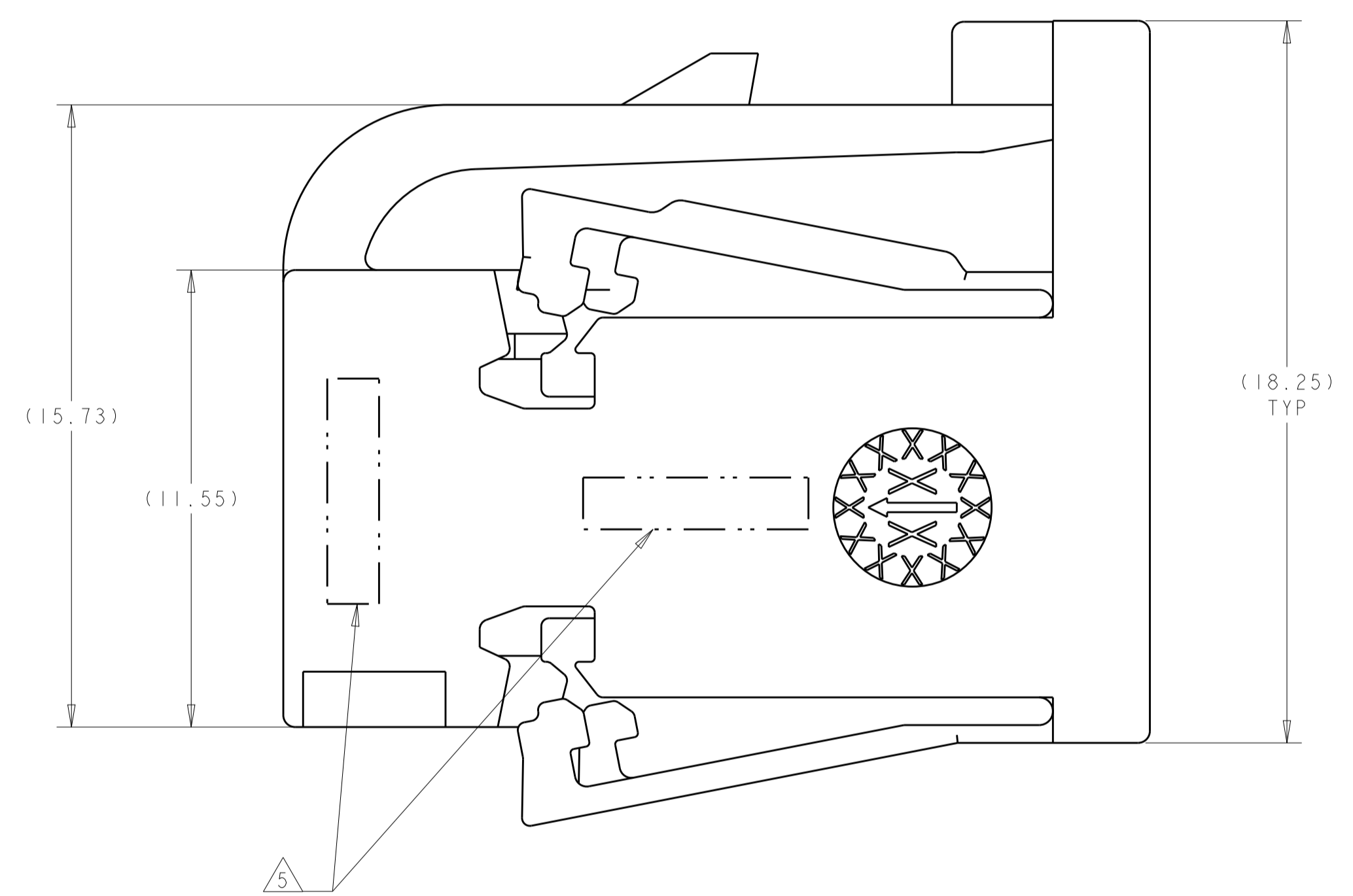
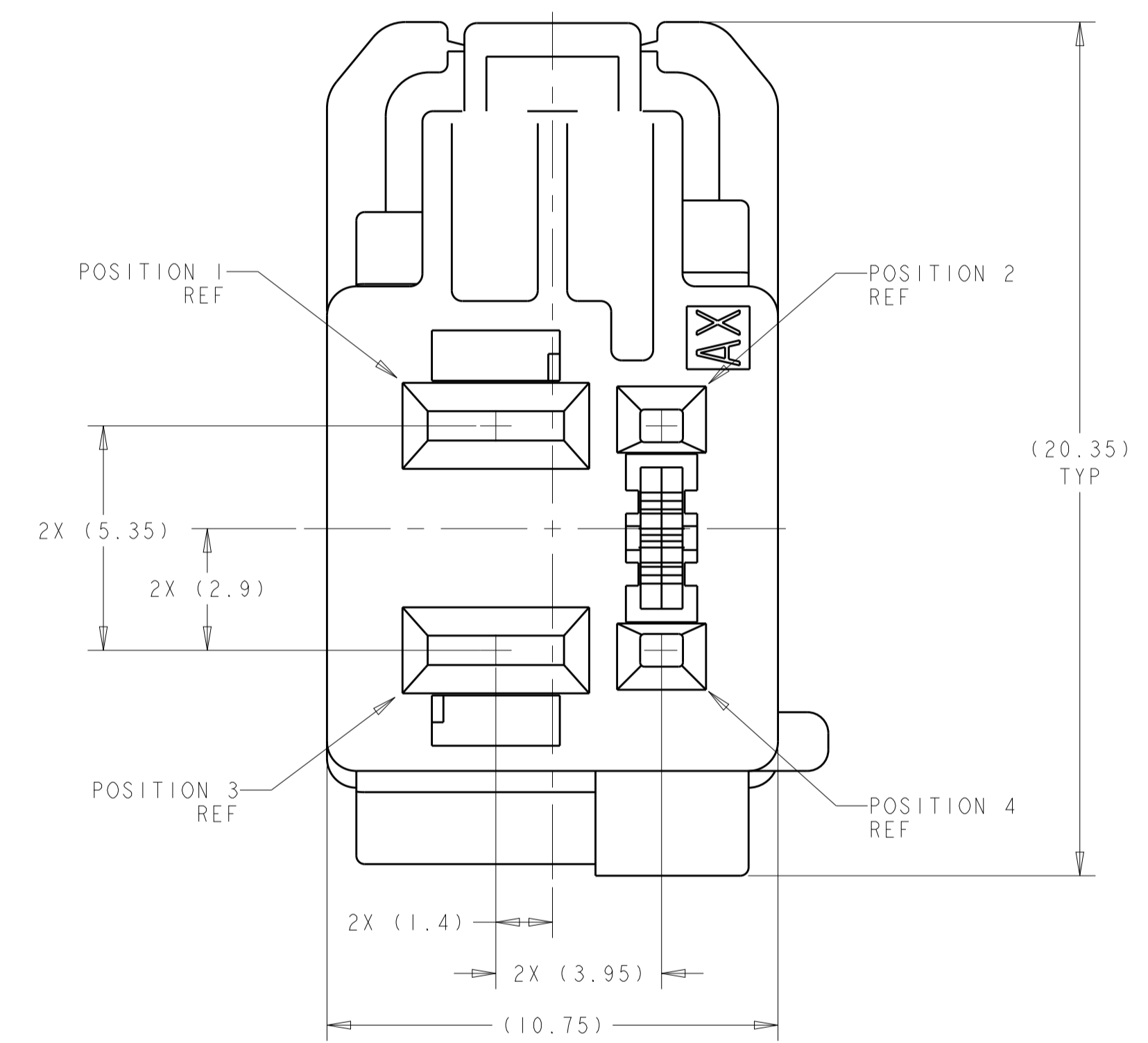
REVISIONS					
P.	LTN	DESCRIPTION	DATE	DWN	APVD
A		RELEASED PER ECO-11-007933	14APR2011	DLD	DLD
B		REVISED PER ECO-12-008641	10MAY2012	MBH	RH
B1		REVISED PER ECO-12-022332	27DEC2012	DLD	CJS
B2		REVISED PER ECO-20-009235	05AUG2020	JMS	CS



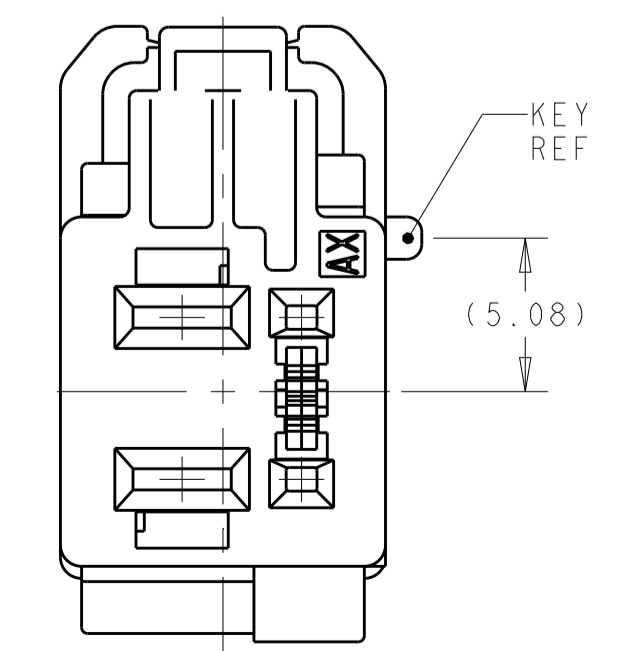
ISOMETRIC VIEWS  
SCALE 4:1



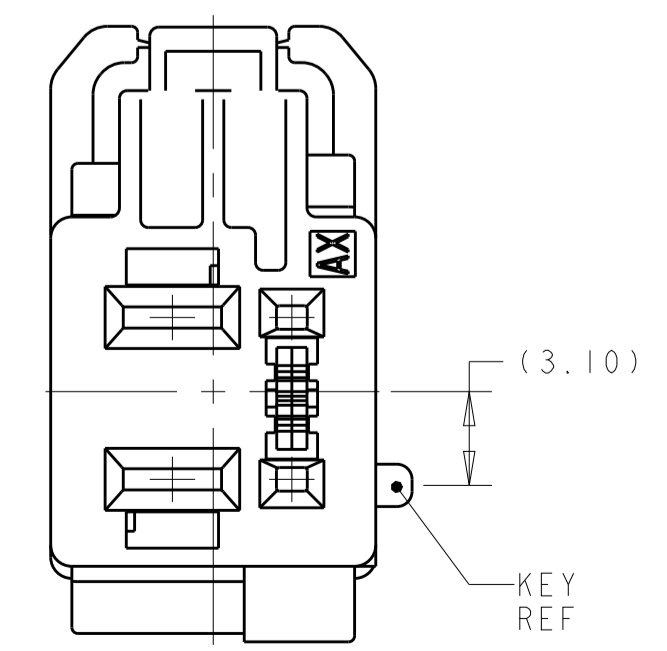
- △ POLYESTER PBT, 15% GLASS FILLED.
- 2. -PLUG HOUSING POSITIONS 1 AND 3 WILL ACCEPT TE MPQ RECEPTACLE PART NUMBER 968074-2, 968075-2, 968678-2.
- PLUG HOUSING POSITIONS 2 AND 4 WILL ACCEPT TE FEMALE CONTACT PART NUMBER 1924955-X.
- 3. SEE 2035077-MXCU FOR INTERFACE DETAILS.
- 4. PART NUMBER 1-2035077-1 SHOWN ON THIS SHEET.
- △ PART NUMBER MARKING IN THIS GENERAL AREA.



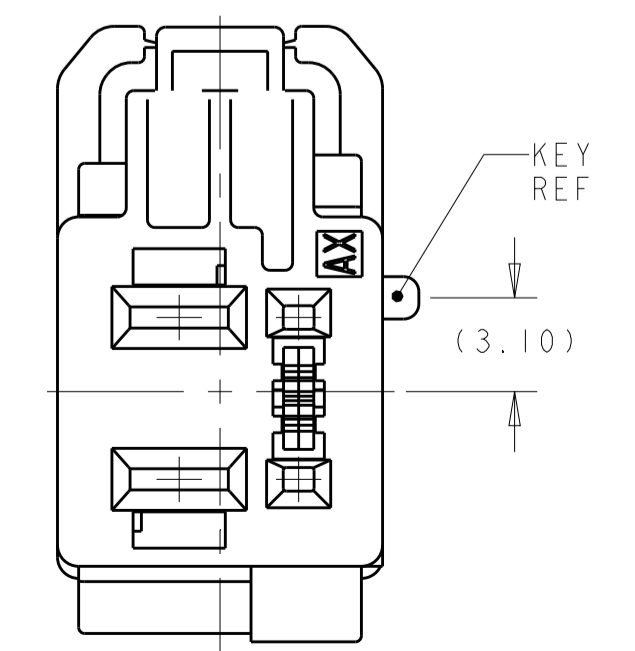
DETAIL F  
SCALE 4:1



DETAIL A  
SCALE 4:1



DETAIL E  
SCALE 4:1



DETAIL B  
SCALE 4:1

KEYING	KEY CODE	COLOR	PART NUMBER
PER DETAIL B	B	BROWN	1-2035077-4
PER DETAIL E	E	DARK GRAY	1-2035077-3
PER DETAIL A	A	LIGHT GRAY	1-2035077-2
PER DETAIL F	F	BLACK	1-2035077-1

THIS DRAWING IS A CONTROLLED DOCUMENT.		DWN: D.J. HARDY 18FEB2008	
DIMENSIONS: mm		CHK: R.D. HETRICK 07MAY2008	
TOLERANCES UNLESS OTHERWISE SPECIFIED:		APVD: R.D. HETRICK 07MAY2008	NAME: PLUG HOUSING, 4 POSITION (2x0.64mm - 2x2.8mm), UNSEALED, GENERATION Y/2.8 HYBRID SIZE: CAGE CODE DRAWING NO: A100779C=2035077 SCALE: 8:1 SHEET 2 OF 2 REV: B2
0 PLC ± 1 PLC ± 2 PLC ± 3 PLC ± 4 PLC ± ANGLES ±		PRODUCT SPEC: APPLICATION SPEC: WEIGHT: CUSTOMER DRAWING	