

4

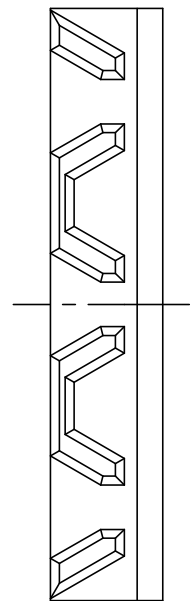
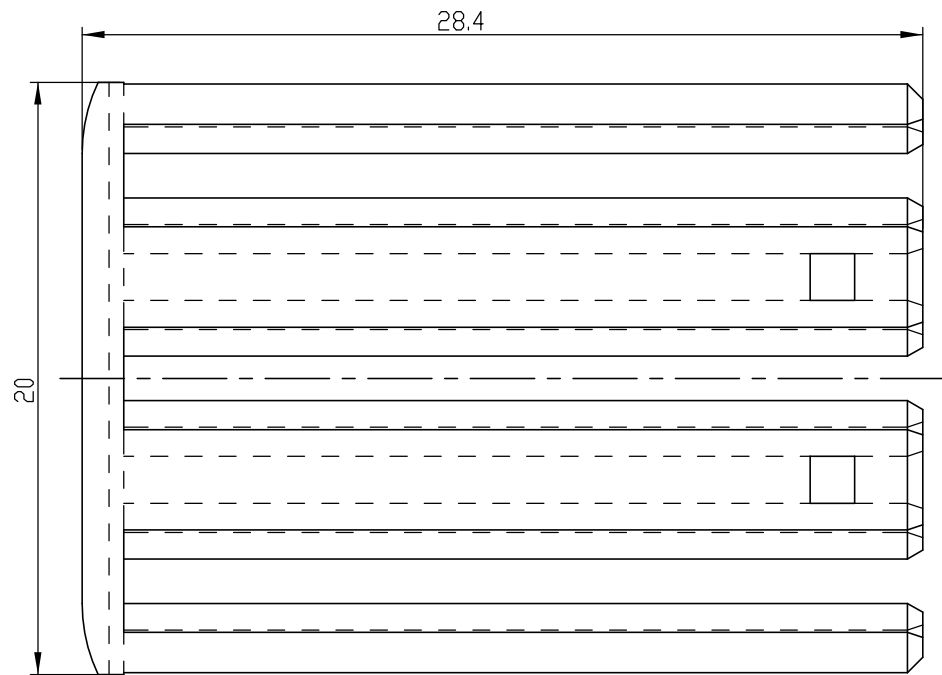
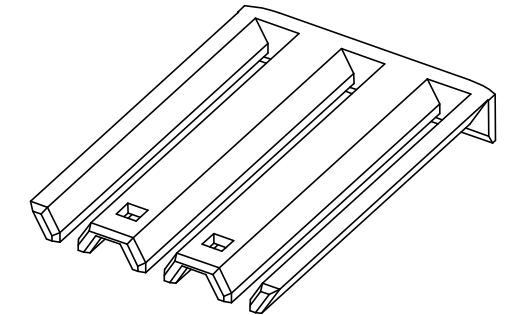
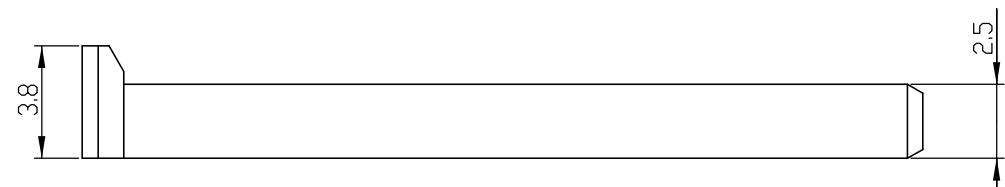
3

2

1

THIS DRAWING IS UNPUBLISHED. RELEASED FOR PUBLICATION
 © COPYRIGHT BY TYCO ELECTRONICS CORPORATION. ALL RIGHTS RESERVED.

LOC	DIST	REVISIONS					
		P	LTR	DESCRIPTION	DATE	DWN	APVD
DS	—		A	RELEASED	07.FEB'11	YH	HG



NOTE.
 1.MATING CONN'R ASSY P/N: 2005217, 2005210
 2.APPLICATION TEST SPEC:
 MS210-12[EXT-2](EXCEPT 4.4)

WINE RED /RAL3005	PA66-GF30	RETAINER HSG	2005216-6
COLOR	MATERIAL	DESCRIPTION	P/N

THIS DRAWING IS A CONTROLLED DOCUMENT FOR TYCO ELECTRONICS CORPORATION IT IS SUBJECT TO CHANGE AND THE CONTROLLING ENGINEERING ORGANIZATION SHOULD BE CONTACTED FOR THE LATEST REVISION.		DWN YH MA CHK KT LIM APVD HG CHD		AMP KOREA kyungsan, korea	
DIMENSIONS: MM		TOLERANCES UNLESS OTHERWISE SPECIFIED: 0 PLC ± 1 PLC ± DECIMALS: ±0.5 2 PLC ± ANGLES: ±3° 3 PLC ± 4 PLC ± ANGLES ±		NAME MCP RETAINER HSG FOR TCU PLUG ASS'Y	
3rd ANGLE PROJECTION		MATERIAL		SIZE CAGE CODE DRAWING NO RESTRICTED TO A3 00779 © 2005216	
FINISH		WEIGHT		SCALE 4:1 SHEET 1 OF 1 REV A	
CUSTOMER DRAWING				SCALE 4:1 SHEET 1 OF 1 REV A	