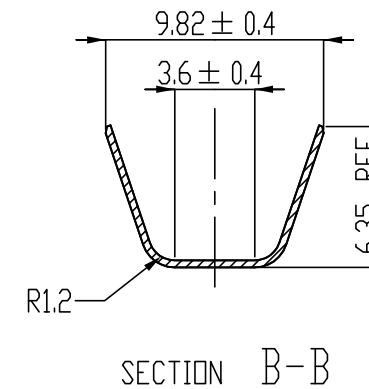
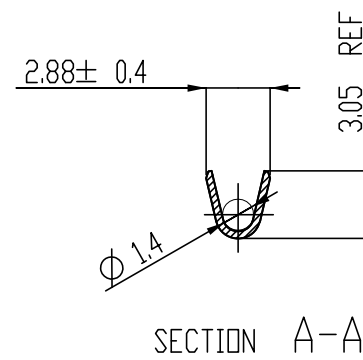
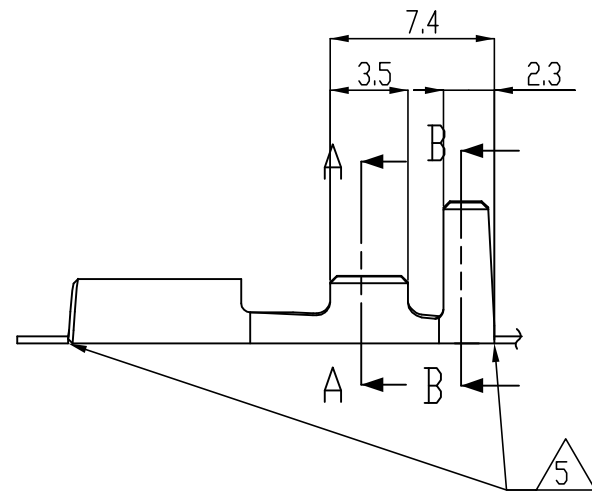
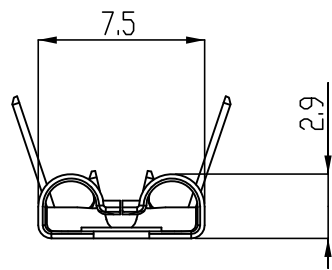
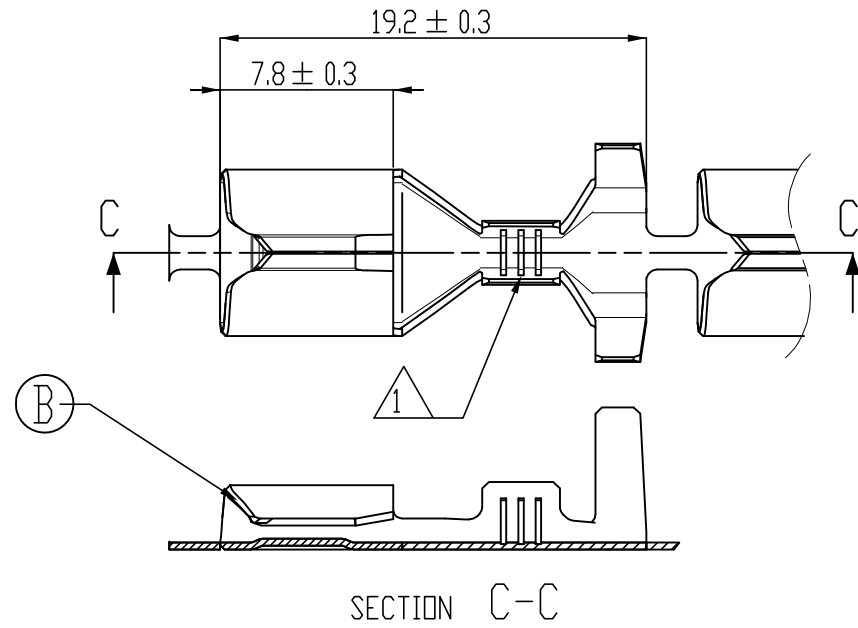
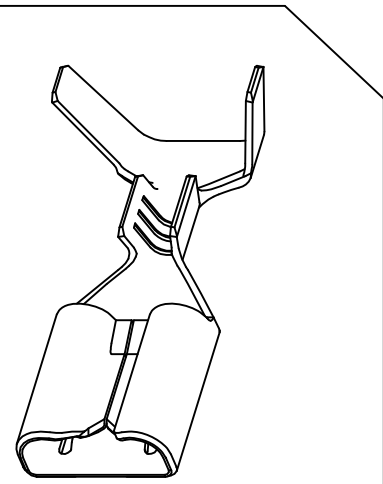


LOC		DIST		REVISIONS			
P	LTR	DESCRIPTION		DATE	DWN	APVD	
DS	-	A		RELEASE	09APR'09	SH JK	
		B		REVISED (ECR-10-002760)	16MAR'10	SH JK	

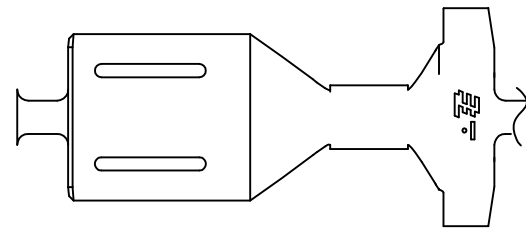


NOTES;

- △ THREE SERRATIONS WERE CENTERED IN WIRE BARREL
- 2. WIRE SIZE EQUIV AESSXF 0.75~ AEXF 1.25 sqmm
- 3. TOLERANCES UNLESS OTHERWISE SPECIFIED : ±0.2, ±3°
- 4. MUST BE REFERRED TO THE FOLLOWING TABLE 1 FOR CRIMPING OPERATION.
- △ 0.5 Max Cutoff Tab, with 0.15 Max Burr(Front and Rear)



ISO VIEW
SCALE 3:1



THIS DRAWING IS A CONTROLLED DOCUMENT FOR TYCO ELECTRONICS CORPORATION IT IS SUBJECT TO CHANGE AND THE CONTROLLING ENGINEERING ORGANIZATION SHOULD BE CONTACTED FOR THE LATEST REVISION.	
DIMENSIONS: mm	TOLERANCES UNLESS OTHERWISE SPECIFIED: 0 PLC ± 1 PLC ±0.5 2 PLC ±0.13 3 PLC ±0.013 4 PLC ±0.0001 ANGLES ±
MATERIAL -	FINISH -

PRE-TINNED	CuNiSi Alloy 0.32THK	1897660-1
FINISH	MATERIAL	PART NUMBER
DWN SH LEE 09APR2009	Tyco Electronics Tyco Electronics Kyungsan, Korea.	
CHK KT LIM	NAME	
APVD JK SONG	250 SERIES FASTON RECEPTACLE	
PRODUCT SPEC 108-61108	SIZE A3	RESTRICTED TO -
APPLICATION SPEC 114-61026	CAGE CODE 00779	DRAWING NO ©=1897660
WEIGHT	SCALE 3:1	SHEET 1 OF 2
CUSTOMER DRAWING		REV B

4

3

2

1

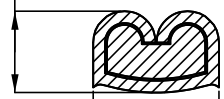
THIS DRAWING IS UNPUBLISHED. RELEASED FOR PUBLICATION
© COPYRIGHT BY TYCO ELECTRONICS CORPORATION. ALL RIGHTS RESERVED.

LOC	DIST	REVISIONS		
DS		P	LTR	DESCRIPTION
				DATE
				DWN
				APVD

TABLE 1

Wire Size(mm ²)	Wire Strip Length	Wire Crimp				Insulation Crimp	
		Width	Height	Form	Area index(%)	Width	Form
FLX,FLY 0.75(0.754)	4.8	2.29	1.22 ± 0.03	F	76.76~82.89	7.0	F
AVSF,AVXF,AEXF 0.75(0.7634)							
AESSXF 0.75(0.789)							
FLR,FLK 0.75(0.8313)							
TXL 0.8(0.760)							
SAE-TS-XLPE 0.8(0.7757)							
AVS 0.8(0.8042)							
AVSS,AVSSF 0.85(0.8597)			1.26 ± 0.03				
AVSF,AVXF,AEXF 0.85(0.8652)							
AVS,AEX,CAVS 0.85(0.8847)							
FLY,FLX 1.0(1.0053)							
AVS 1.0(1.045)			1.32 ± 0.03				
FLR,FLK 1.0(1.1084)							
TXL 1.0(1.13)							
AVSS 1.25(1.255)					1.39 ± 0.03		
AVSF,AVXF,AEXF 1.25(1.272)							
AESSXF 1.25(1.282)							
AVSSF,AEX,CAVS 1.25(1.286)							

WIRE CRIMP HEIGHT



WIRE CRIMP WIDTH

SECTION A-A

THIS DRAWING IS A CONTROLLED DOCUMENT FOR TYCO ELECTRONICS CORPORATION IT IS SUBJECT TO CHANGE AND THE CONTROLLING ENGINEERING ORGANIZATION SHOULD BE CONTACTED FOR THE LATEST REVISION.		DWN	Tyco Electronics Tyco Electronics Kyungsan, Korea.	
DIMENSIONS:		CHK	NAME	
TOLERANCES UNLESS OTHERWISE SPECIFIED:		APVD	250 SERIES FASTON RECEPTACLE	
0 PLC ±		PRODUCT SPEC	SIZE	CAGE CODE
1 PLC ±		APPLICATION SPEC	A3	DRAWING NO
2 PLC ±		WEIGHT	C= 1897660	
3 PLC ±		CUSTOMER DRAWING	SCALE	SHEET 2 OF 2
4 PLC ±				REV B
ANGLES ±				
FINISH				