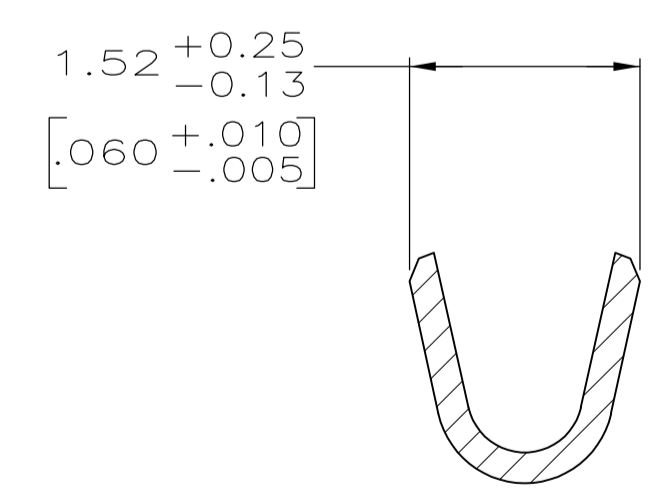
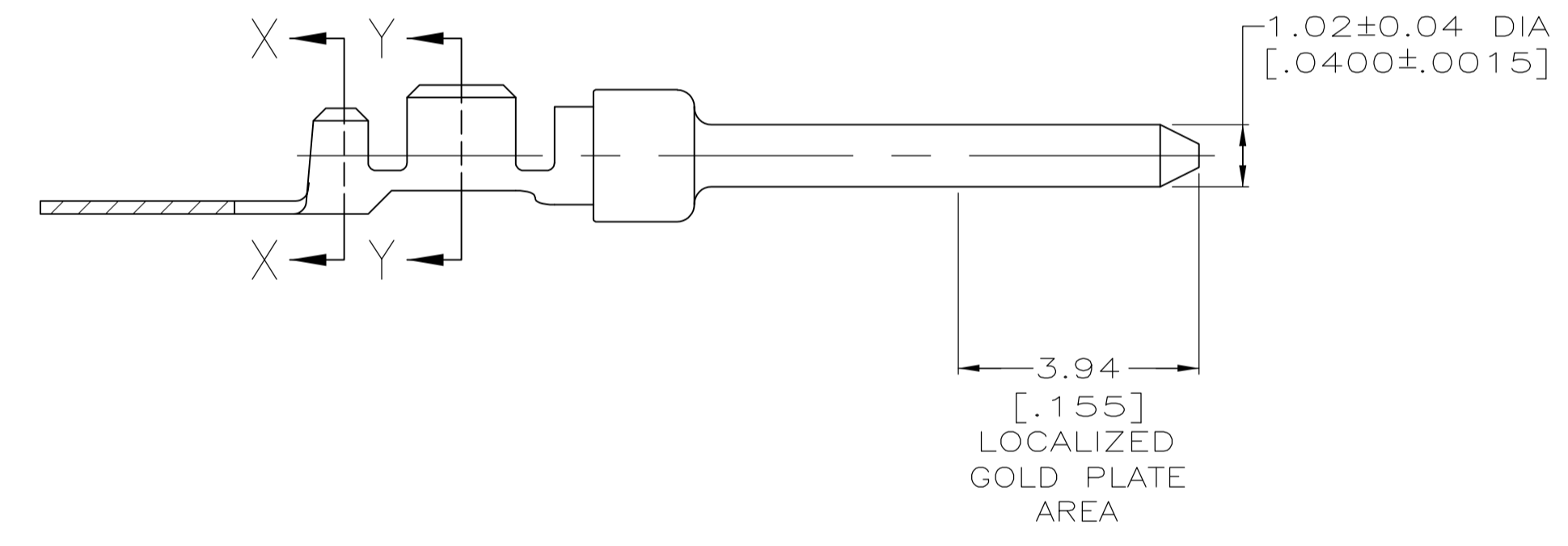
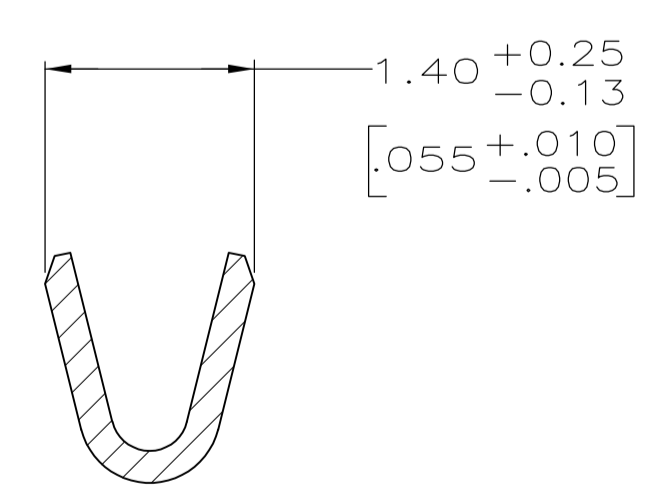


- 1 FOR MINI-APPLICATOR AND STRIPPER CRIMPER.
- 2 FOR HAND TOOL USE ONLY.
- 3. WIRE RANGE OF 24-28, INSULATION RANGE OF .030-.040.
- 4. TIN PLATING MAY NOT APPEAR ON CARRIER STRIP.
- 5 GOLD FLASH IN LOCALIZED GOLD PLATE AREA, 2.54μm [.000100] MIN TIN ON WIRE BARRELS, ALL OVER 0.76μm [.000030] MIN NICKEL UNDERPLATE.
- 6 GOLD FLASH IN LOCALIZED GOLD PLATED AREA, 0.76μm [.000030] MIN TIN ON WIRE BARRELS, ALL OVER 0.76μm [.000030] MIN NICKEL UNDERPLATE.
- 7 GOLD PLATED IN LOCALIZED GOLD PLATE AREA AS FOLLOWS:
0.76μm [.000030] MIN GOLD IN MATED AREA,
2.54μm [.000100] MIN TIN ON WIRE BARRELS, ALL OVER
1.27μm [.000050] MIN NICKEL UNDERPLATE.
OR
GOLD FLASH OVER
PALLADIUM-NICKEL PLATE, 0.76μm [.000030] MIN TOTAL IN MATED AREA,
2.54μm [.000100] MIN TIN ON WIRE BARRELS, ALL OVER
1.27μm [.000050] MIN NICKEL UNDERPLATE.
- 8 FOR STANDARD APPLICATOR ONLY.



SECTION X-X
INSULATION BARREL
SCALE 20:1



SECTION Y-Y
WIRE BARREL
SCALE 20:1

FINISH	USE	TYPE	PART NUMBER
7	8	STRIP	1658540-6
7	8	LOOSE PIECE	1658540-5
7	1	STRIP	1658540-4
6	1	STRIP	1658540-3
6	1	LOOSE PIECE	1658540-2
5	1	STRIP	1658540-1

THIS DRAWING IS A CONTROLLED DOCUMENT.

DIMENSIONS: mm [INCHES]	TOLERANCES UNLESS OTHERWISE SPECIFIED:	DIN L VARELA - DOCKS 11-17-04	CHK S BOLASH 11-17-04	APVD M WALMSLEY 11-17-04	NAME	
0 PLC ± -	1 PLC ± -	TE Connectivity PIN CONTACT, 20 DF, 24-28 AWG, AMPLIMITE			RESTRICTED TO	
2 PLC ± 0.13 [.005]	3 PLC ± -				PRODUCT SPEC	108-40005
4 PLC ± -	ANGLES ± -				APPLICATION SPEC	114-10000
MATERIAL BRASS	FINISH SEE TABLE				WEIGHT	A1 00779 1658540
		CUSTOMER DRAWING		SCALE 10:1	SHEET 1 OF 1	REV D1