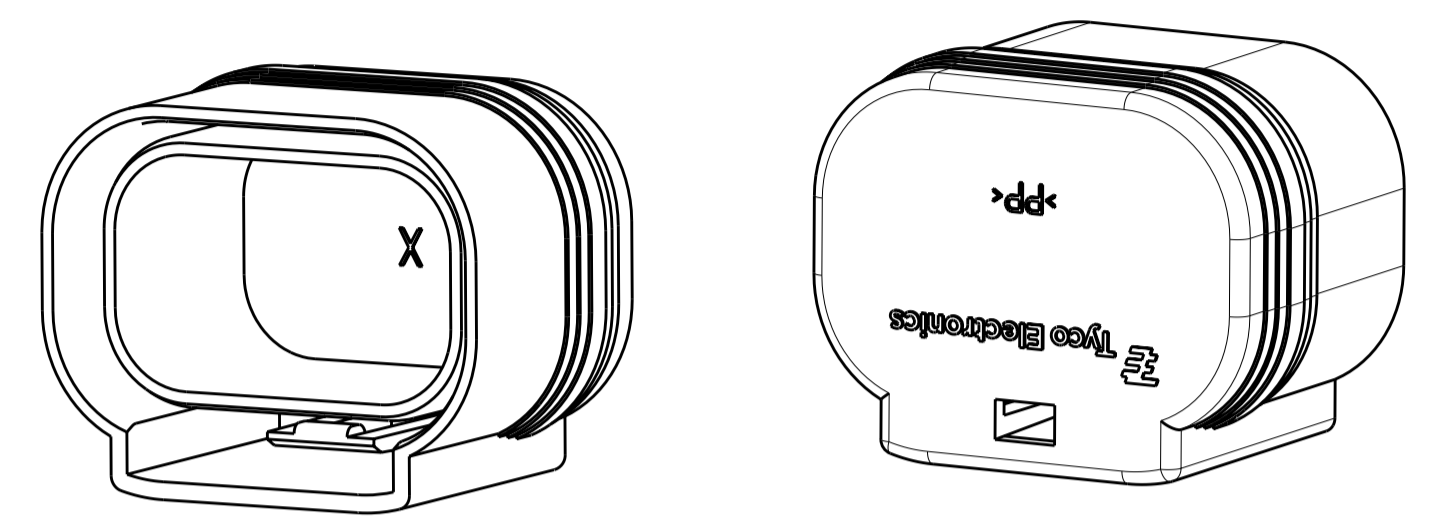
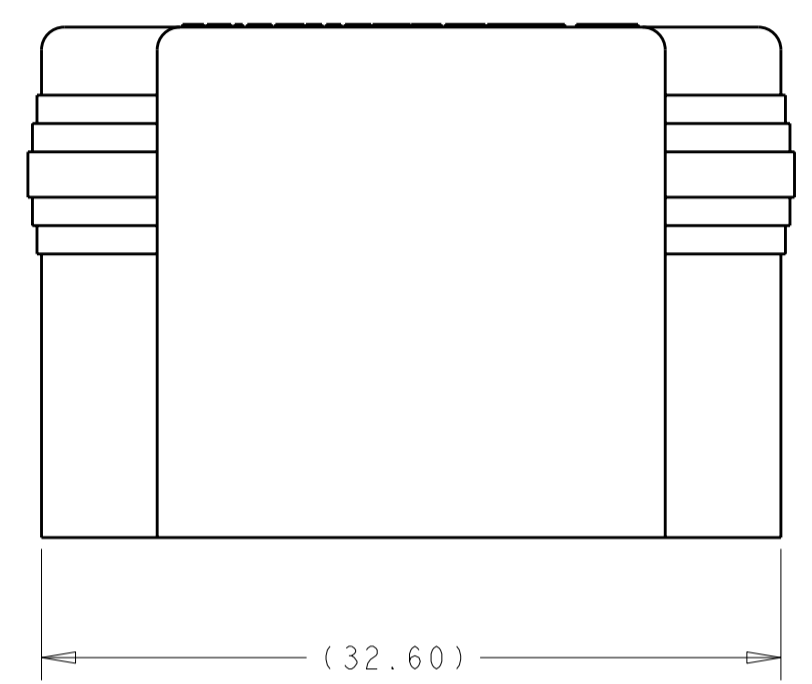
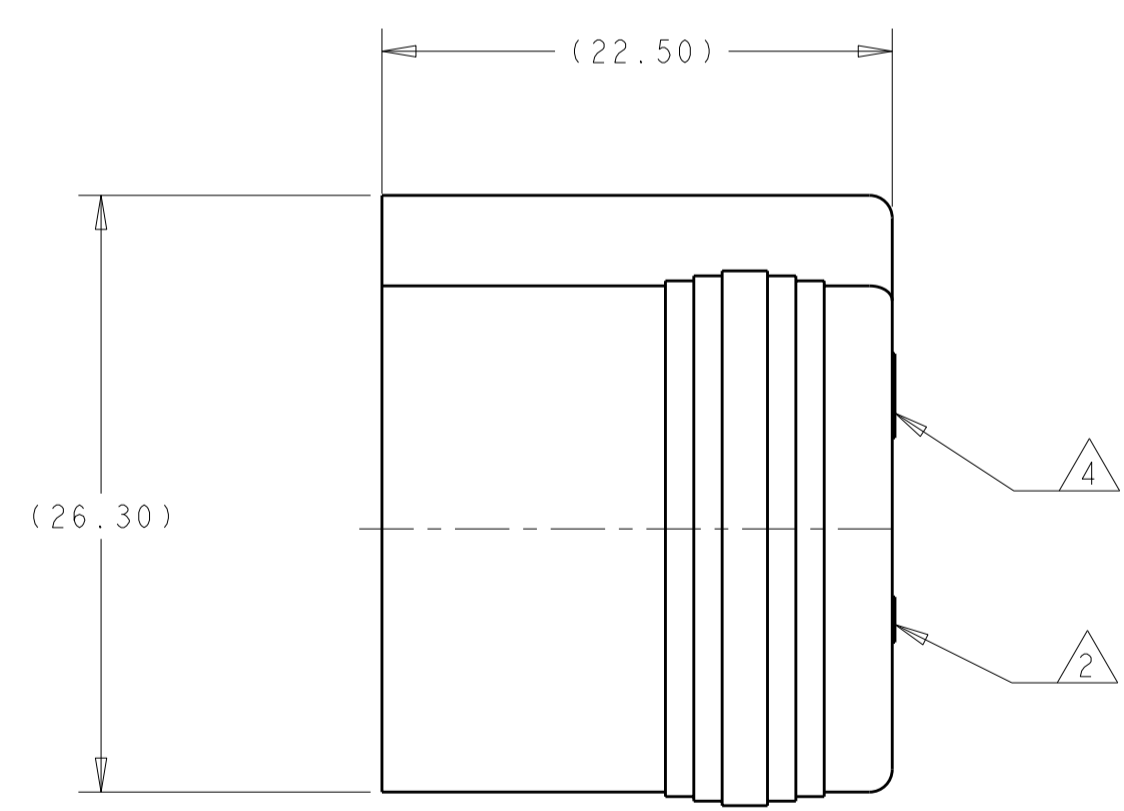
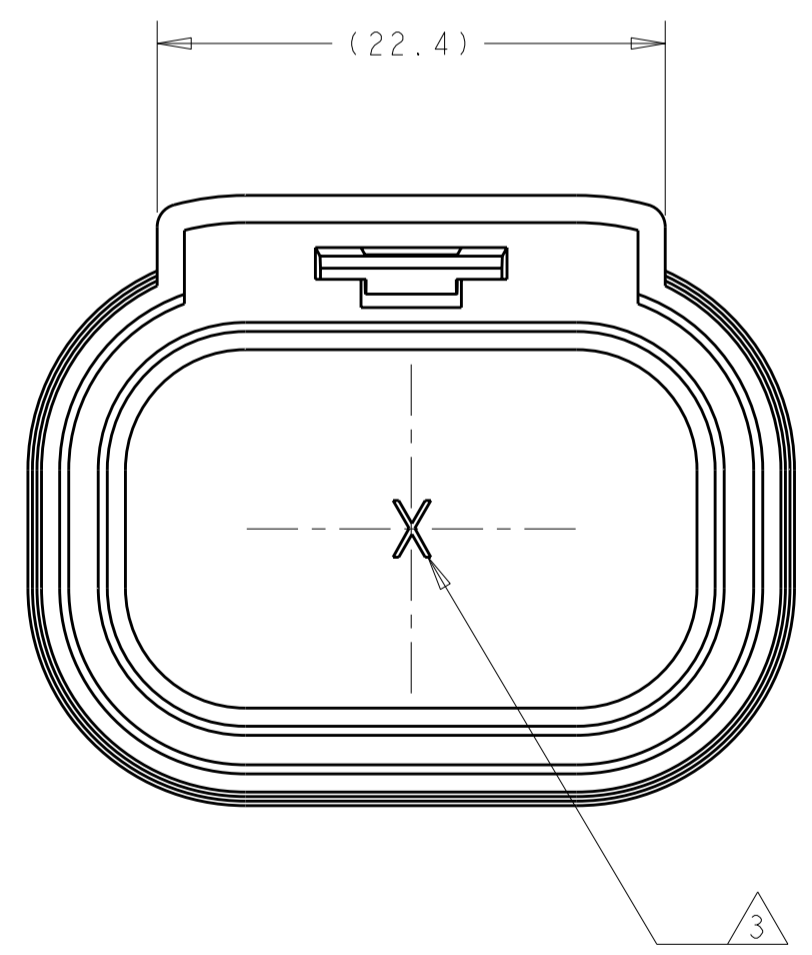


THIS DRAWING IS UNPUBLISHED. RELEASED FOR PUBLICATION 20
 © COPYRIGHT 20 BY TYCO ELECTRONICS CORPORATION. ALL RIGHTS RESERVED.

LOC	DIST	REVISIONS			
P	LTR	DESCRIPTION	DATE	DWN	APVD
		A	RELEASED PER ECR-09-018822	21AUG2009	TD TD
		B	MODIFIED PER ECR-09-027346	15DEC2009	TD TD



SCALE 2:1



- B 1 MATERIAL:
TYPE: POLYPROPYLENE
COLOR: NATURAL
- 2 RECYCLE CODE ">PP<" TO BE SHOWN ON THIS SURFACE
- 3 MOLD CAVITY ID TO BE SHOWN IN THIS AREA
- 4 TYCO ELECTRONICS TRADE MARK ON THIS SURFACE

1587733-1
TE P/N

<small>THIS DRAWING IS A CONTROLLED DOCUMENT FOR TYCO ELECTRONICS CORPORATION. IT IS SUBJECT TO CHANGE AND THE CONTROLLING ENGINEERING ORGANIZATION SHOULD BE CONTACTED FOR THE LATEST REVISION.</small>		DWN T DEWITTE 09MAY2008 CHK T DEWITTE 09MAY2008 APVD - 09MAY2008	Tyco Electronics Harrisburg, PA 17105-3608
DIMENSIONS: mm	TOLERANCES UNLESS OTHERWISE SPECIFIED: 0 PLC ±- 1 PLC ±0.15 2 PLC ±0.1 3 PLC ±0.05 4 PLC ±- ANGLES ±° FINISH	PRODUCT SPEC - APPLICATION SPEC - WEIGHT -	NAME HVA280 HEADER SHIPPING CAP SIZE CAGE CODE DRAWING NO RESTRICTED TO A200779 C-1587733 -
MATERIAL -		CUSTOMER DRAWING	
		SCALE 3:1	SHEET 1 OF 1 REV B