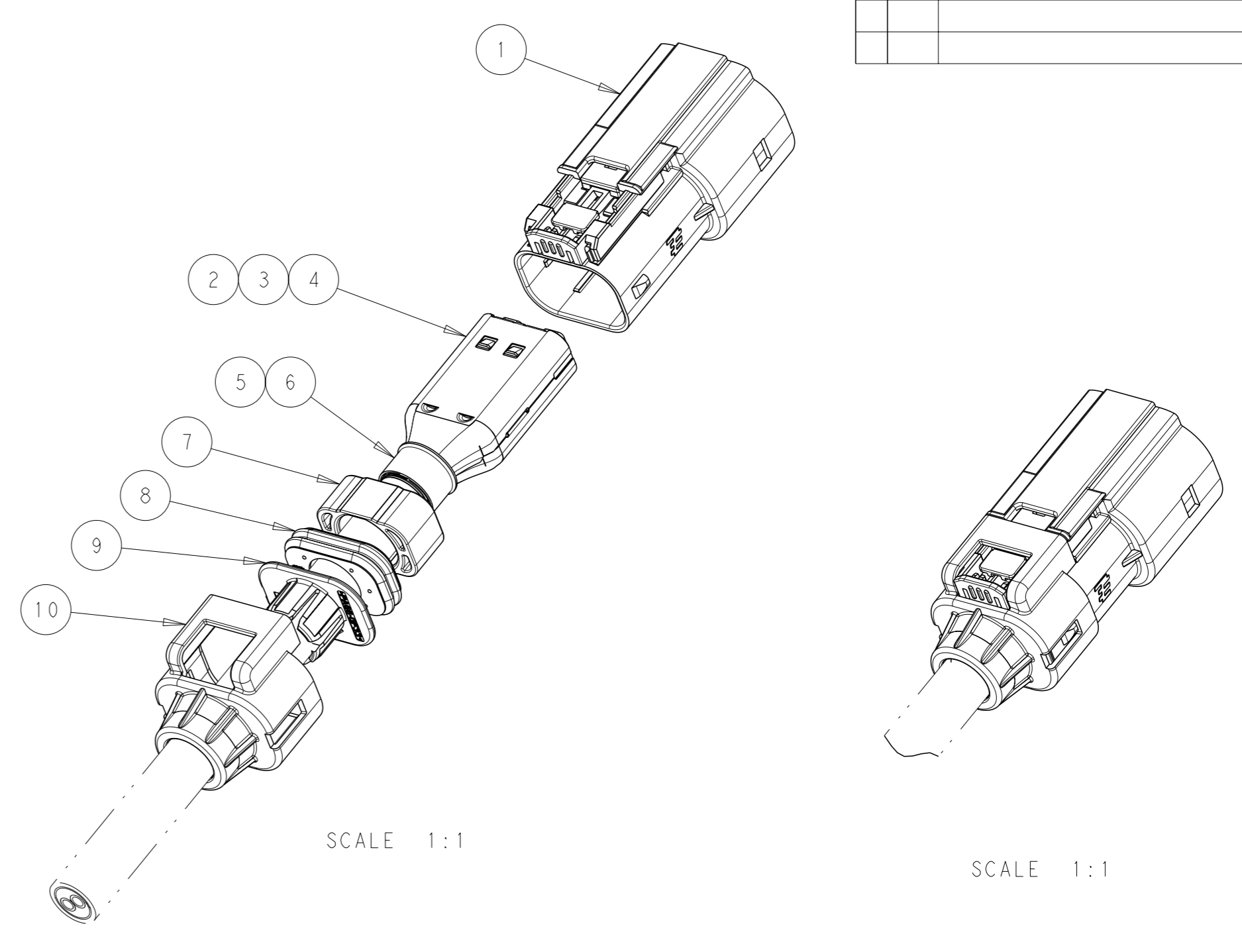
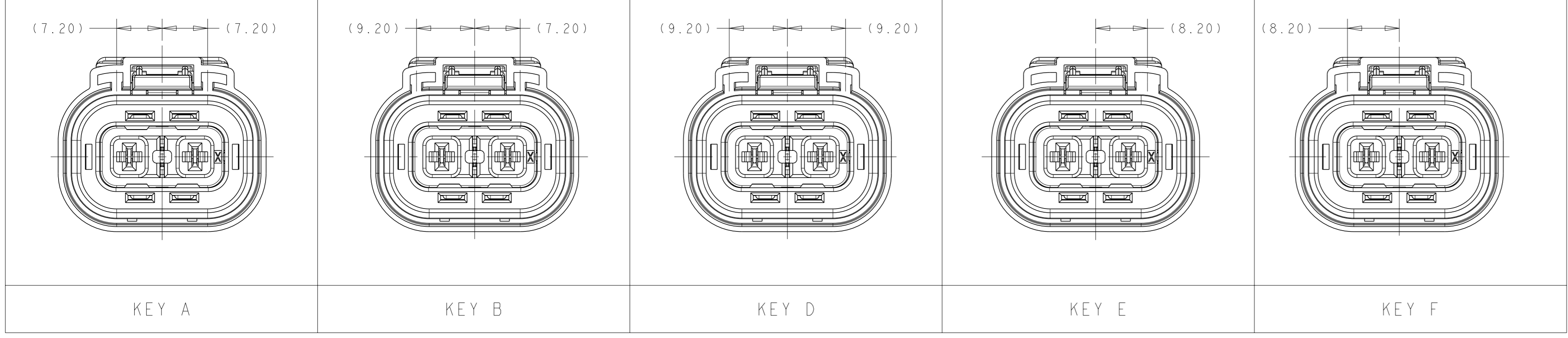
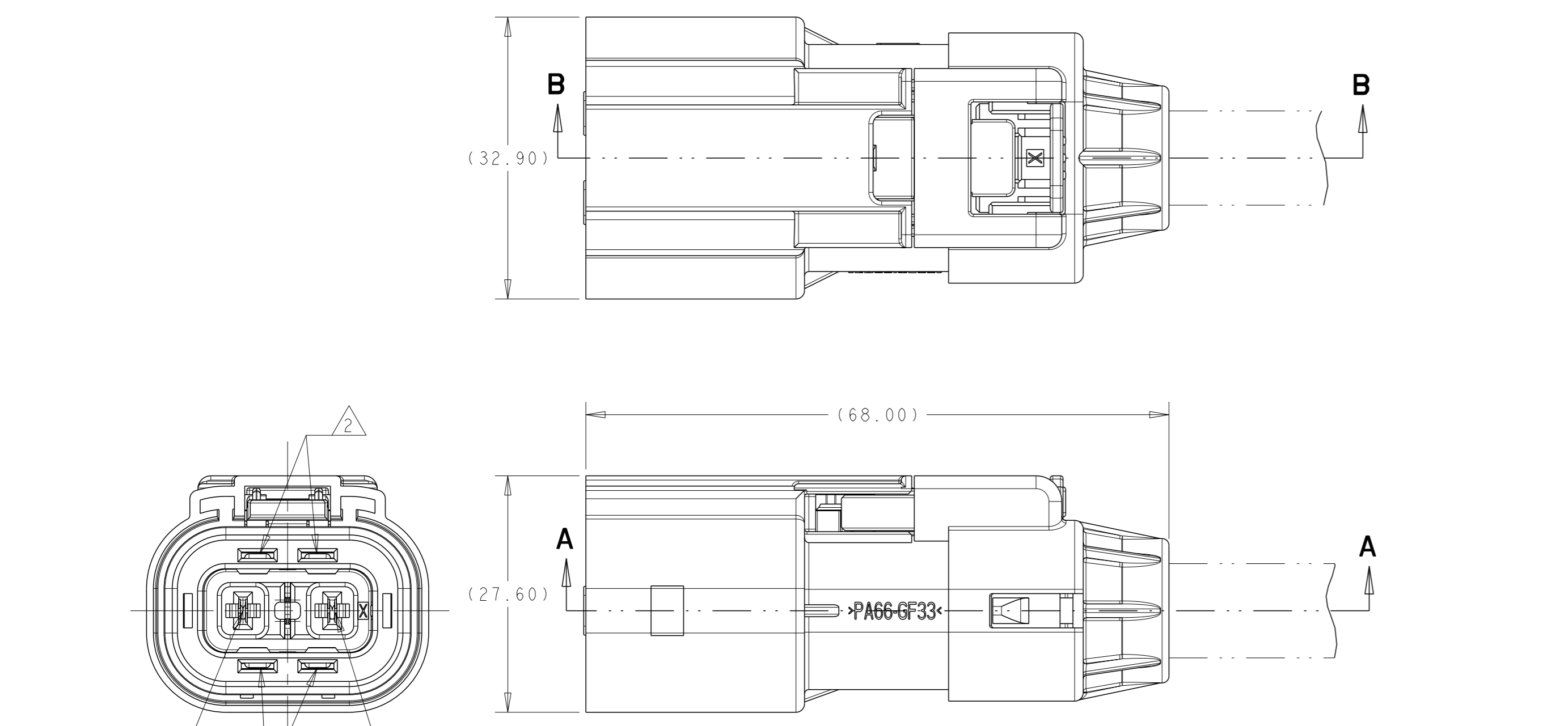


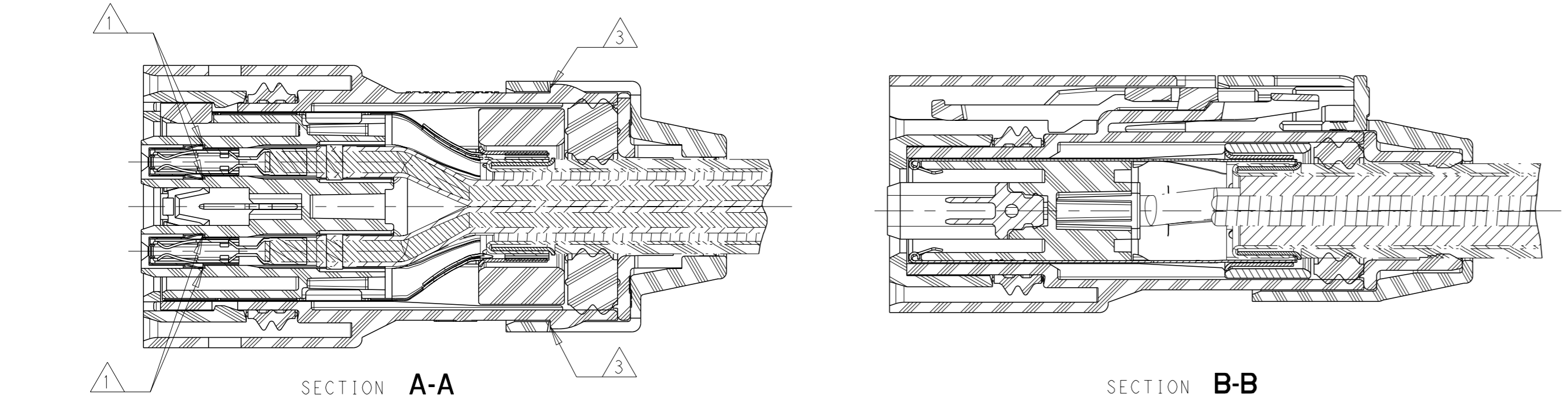
REVISIONS					
REV	LYR	DESCRIPTION	DATE	OWN	APVD
A2		ECO-14-004886	31MAR2014	DR	DR
A3		ECO-18-014358	09SEP2018	PK	DR



- 1 ALL TERMINALS MUST BE FULLY SEATED AND LOCKED IN POSITION TWO PLACES PER TERMINAL
- 2 INNER HOUSING SUB-ASSEMBLY MUST BE FULLY LOCKED 4 PLACES
- 3 CABLE SEAL RETAINER MUST BE FULLY LOCKED 2 PLACES
- 4 PARTS ARE NOT AVAILABLE BY THESE NUMBERS FULLY ASSEMBLED AS SHOWN. FINAL ASSEMBLY REQUIRES INDIVIDUAL COMPONENTS OR SUB-ASSEMBLIES LISTED IN THE PARTS LIST AND AVAILABLE SEPARATELY FROM THE CONSULT INDIVIDUAL CUSTOMER DRAWINGS FOR PART RELEASE STATUS.
- 5 VALIDATED CABLE / SUBCOMPONENT COMBINATION
- 6. MATES WITH Ag SHIELD HEADERS SHOWN ON TE DRAWING 2103124
- 7. NOTE DELETED



TERMINAL 2      TERMINAL 1



1	1	1	1	1	1	1	1	1	1	1	1	1	1	1	1	2103013-2	SEAL RETAINER, CABLE, SIZE 2	10
																2103013-1	SEAL RETAINER, CABLE, SIZE 1	10
																2103155-3	COLLET, SIZE 3	9
																2103155-1	COLLET, SIZE 1	9
																2103154-3	SEAL, CABLE, SIZE 3	8
																2103154-1	SEAL, CABLE, SIZE 1	8
																2103153-1	SPACER	7
																1587724-2	FERRULE, OUTER, SIZE B	6
																1587724-3	FERRULE, OUTER, SIZE C	6
																1587723-2	FERRULE, INNER, SIZE B	5
																1587723-3	FERRULE, INNER, SIZE C	5
																1-2103157-2	SHIELD, PLUG, Ag, SIZE 2	4
																1-2103157-1	SHIELD, PLUG, Ag, SIZE 1	4
																1-968851-3	MCP 2.8 TERMINAL FEMALE, Ag, >1.0-2.5mm <sup>2</sup>	3
																1-968853-3	MCP 2.8 TERMINAL FEMALE, Ag, >2.5-4.0mm <sup>2</sup>	3
																1587985-1	INNER HOUSING, SUBASSY, SHUNTED	2
																4-2103015-6	PLUG SUBASSY, KEY F, FINGER LATCH, WITH CPA	1
																4-2103015-5	PLUG SUBASSY, KEY E, FINGER LATCH, WITH CPA	1
																4-2103015-4	PLUG SUBASSY, KEY D, FINGER LATCH, WITH CPA	1
																4-2103015-2	PLUG SUBASSY, KEY B, FINGER LATCH, WITH CPA	1
																4-2103015-1	PLUG SUBASSY, KEY A, FINGER LATCH, WITH CPA	1
PART NO																		
DESCRIPTION																		
ITEM NO																		

REFERENCE NUMBER 4  
 THESE NUMBERS ARE FOR REFERENCE PURPOSE ONLY AND ARE NOT FOR SALE

QTY REQ PER ASSY			QTY REQ PER ASSY			QTY REQ PER ASSY		
5	COROPLAST	9-2641	5	DRAKA	FLR91XBC33X	5	COROPLAST	9-2641
5	2x2.5mm <sup>2</sup>		5	2x4.0mm <sup>2</sup>		5	2x4.0mm <sup>2</sup>	

DIMENSIONS:			TOLERANCES UNLESS OTHERWISE SPECIFIED:		
mm	PLC	±0.50	mm	PLC	±0.50
	PLC	H		PLC	H
	PLC	L		PLC	L
	PLC	T		PLC	T
	PLC	R		PLC	R
	PLC	A		PLC	A
	PLC	H*		PLC	H*

OWN	D. RHEIN	01MAR2013
CHK	D. RHEIN	04MAR2013
APVD	A. GUANCO	04MAR2013
PRODUCT SPEC		
108-32020		
APPLICATION SPEC		
114-13305		
WEIGHT		
CUSTOMER DRAWING		

NAME	PLUG ASSEMBLY, SHUNTED HV1L, HVA280-2PHM, REFERENCE DRAWING		
SIZE	CAGE CODE DRAWING NO		
RESTRICTED TO	A1		
SCALE	2:1		
SHEET	1 OF 1		
REV	A3		