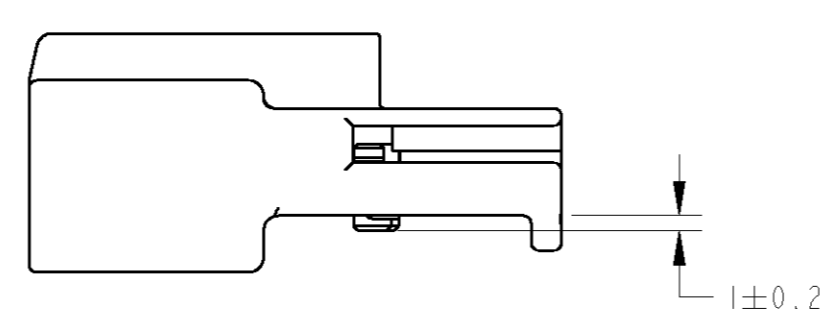
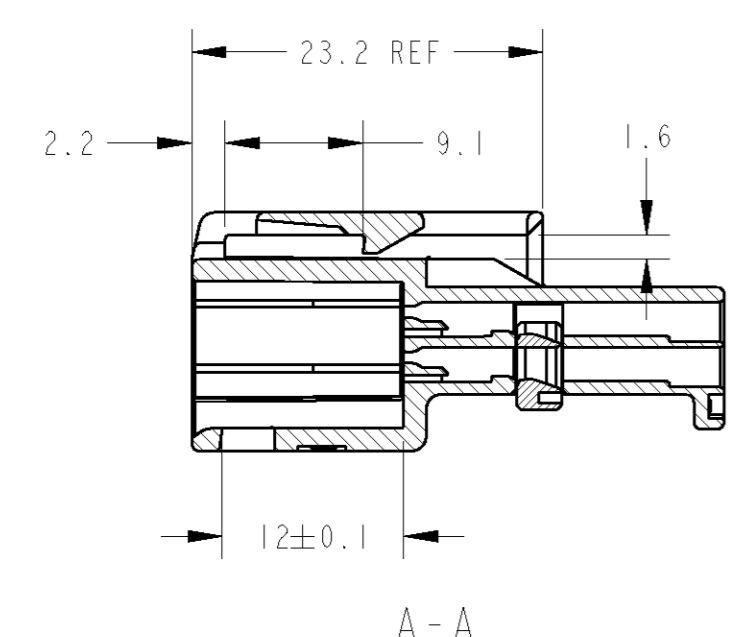
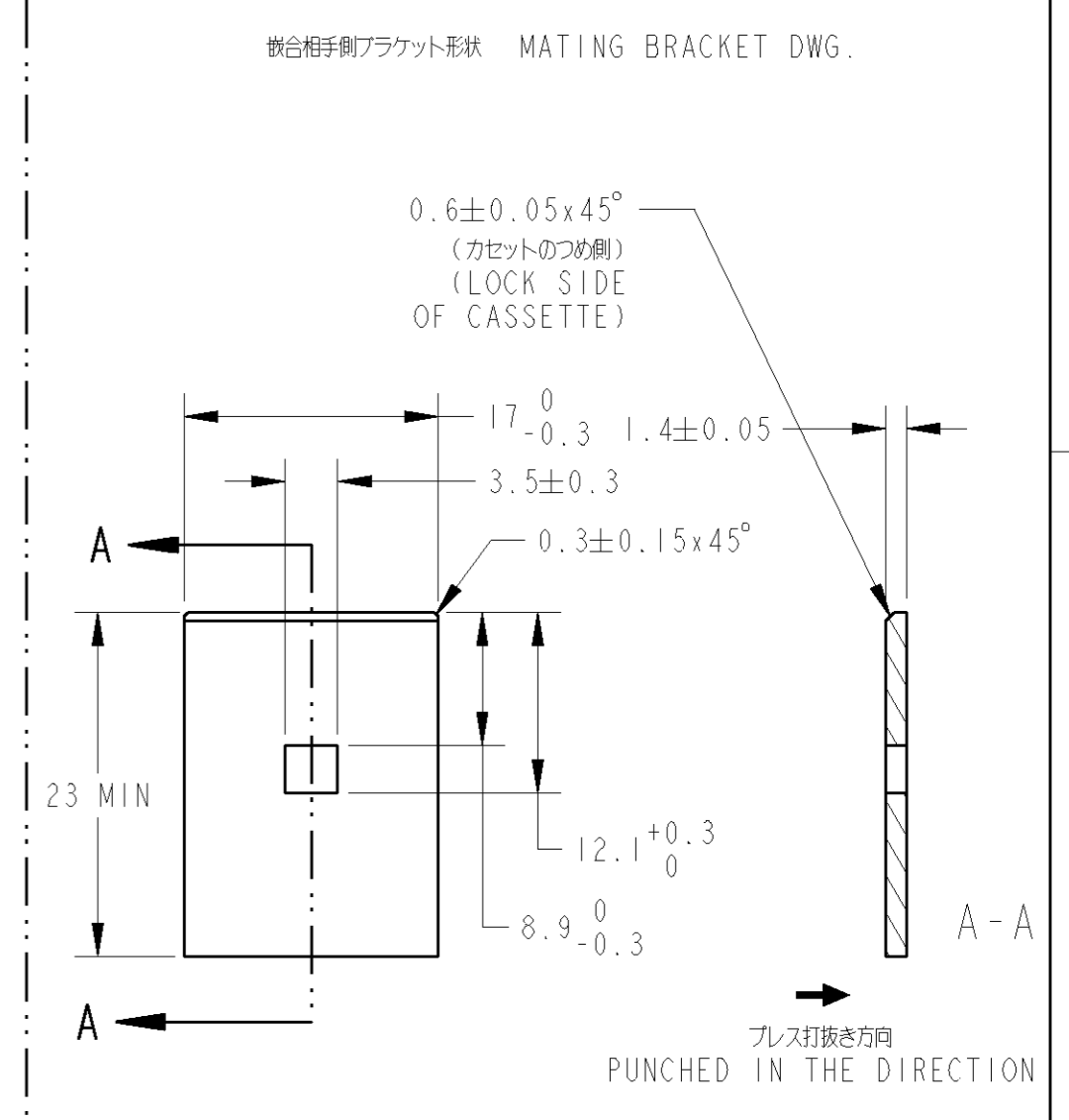
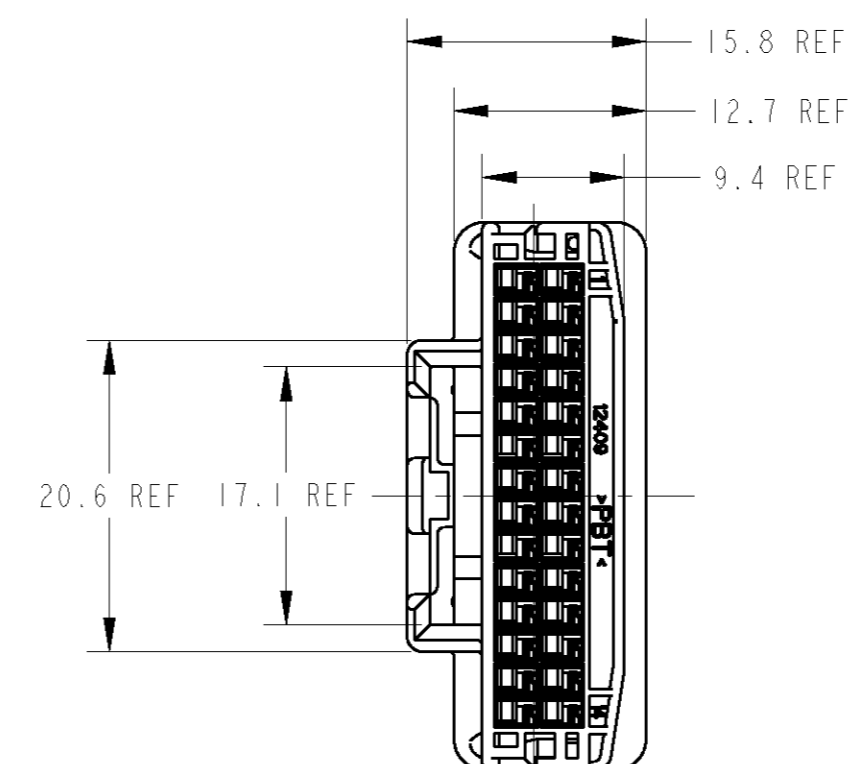
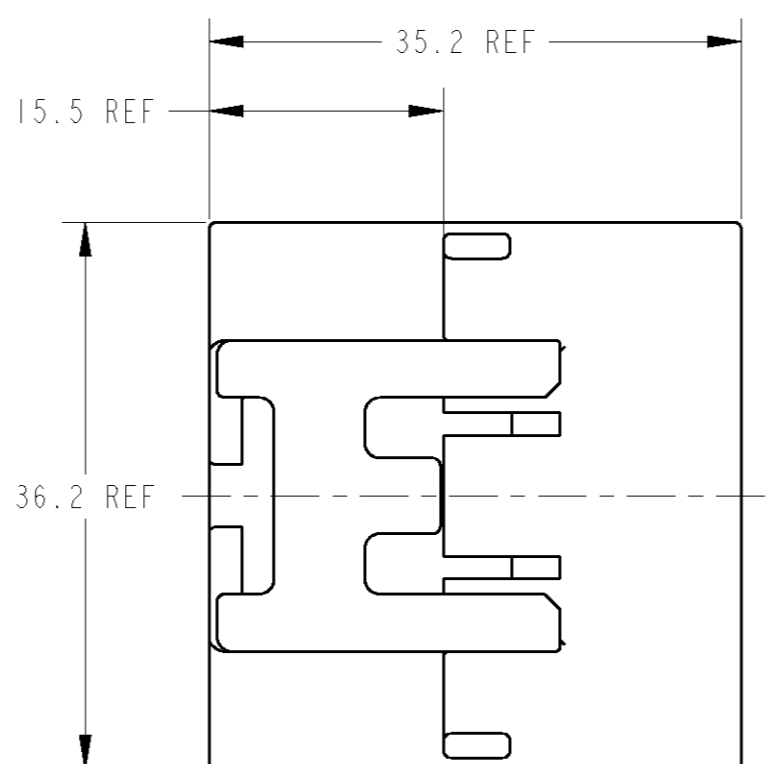
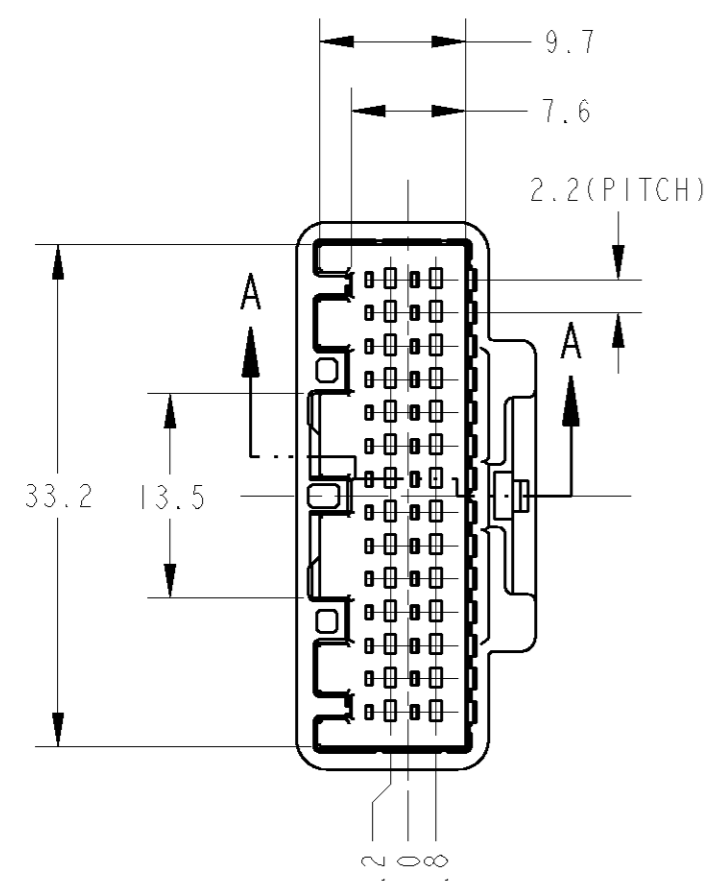


LOC	DIST	REVISIONS					
		P	LTR	DESCRIPTION	DATE	DWN	APVD
J		0		RELEASED	FJA0-0255-03	01MAY03	KF KA



1. プラグハウジングリテーナーを仮係止して出荷される。
  2. 仮係止時リテーナーがハウジングの外側に突出していること。
  3. リテーナーの仮係止保持力は、30N以上
  4. 取扱説明書No : 411-5996
  5. 嵌合相手型番は TABLE-1参照
  6. 本製品の適応端子は TABLE-2参照
1. RETAINER SHOULD BE SET TO THE PRE-ASSEMBLY POSITION WITHIN THE PLUG HOUSING WHEN SHIPPED TO THE CUSTOMER.
  2. THE RETAINER MUST BE OUT SIDE OF PLUG HOUSING WHEN PRE-ASSEMBLY.
  3. RETAINER RETENTION FORCE FROM HOUSING : 30N MIN
  4. INSTRUCTION SHEET NO : 411-5996
  5. PART NUMBER OF PLUG HOUSING TO BE MATED : SEE TABLE-1
  6. APPLIED TERMINAL OF THIS PART : SEE TABLE-2

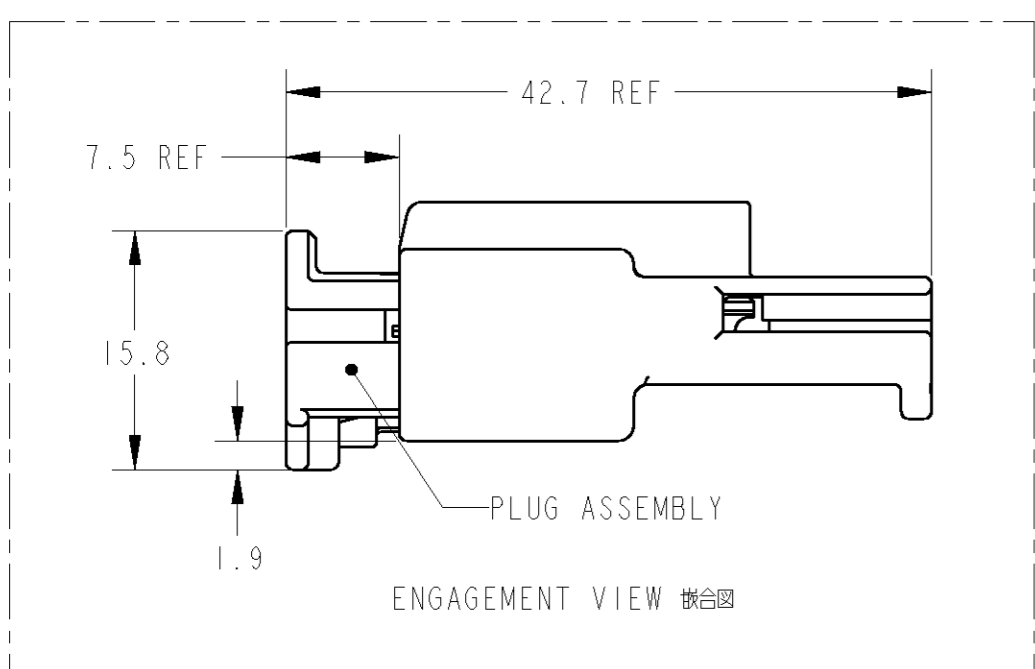


TABLE-1

POS 極数	DESCRIPTION	PLUG ASSEMBLY PART NO. プラグ 型番
28	CRIMP	1565380-1

TABLE-2

SIGNAL	TIN	POS 極数	APPLIED TERMINAL 適応端子		APPLICABLE WIRE RANGE 適応電線
			DESCRIPTION	AMP P/N	
025		28	CRIMP	1376109-1	AVSS/CAVUS 0.3~0.5mm <sup>2</sup> AVSSH-f 0.3~0.5mm <sup>2</sup> CAVS 0.22~0.5mm <sup>2</sup>
				IDC	1473818-1
				1565406-1	WIRE RANGE : 0.22mm <sup>2</sup> INSULATION DIA : 0.8~1.2mm

THIS DRAWING IS A CONTROLLED DOCUMENT FOR TYCO ELECTRONICS CORPORATION  
 IT IS SUBJECT TO CHANGE AND THE CONTROLLING ENGINEERING ORGANIZATION  
 SHOULD BE CONTACTED FOR THE LATEST REVISION.

DIMENSIONS:  
mm

TOLERANCES UNLESS OTHERWISE SPECIFIED:  
 一般公差: ±0.3  
 0-PLC ±  
 1-PLC ±0.5  
 2-PLC ±0.13  
 3-PLC ±0.013  
 4-PLC ±0.0001  
 ANGLES ±3°00'  
 FINISH SEE TABLE

MATERIAL PBT

PAPER BOX ダンボール箱	PLASTIC BAG ビニール袋	NATURAL (自然色)	1565377-1
OUTER 外装	INNER 内装	HOUSING COLOR ハウジング色	P/N 型番
PACKING STYLE 梱包形態			
DWN K. FURUYAMA 01MAY03		Tyco Electronics AMP K.K. Kawasaki, Japan	
CHK S. HIRANUMA 01MAY03		NAME 025 CONNECTOR 28POSITION CAP ASSEMBLY W-W (CRIMP AND IDC)	
APVD K. ASAI 01MAY03		SIZE A2	
PRODUCT SPEC 108-5660		CAGE CODE 00779	
APPLICATION SPEC 114-5276, 114-5291		DRAWING NO G-1565377	
WEIGHT 7.68 g		RESTRICTED TO	
CUSTOMER DRAWING			
SCALE 2:1		SHEET 1 OF 1 REV 0	