

4

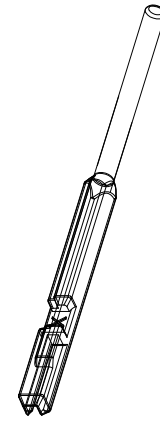
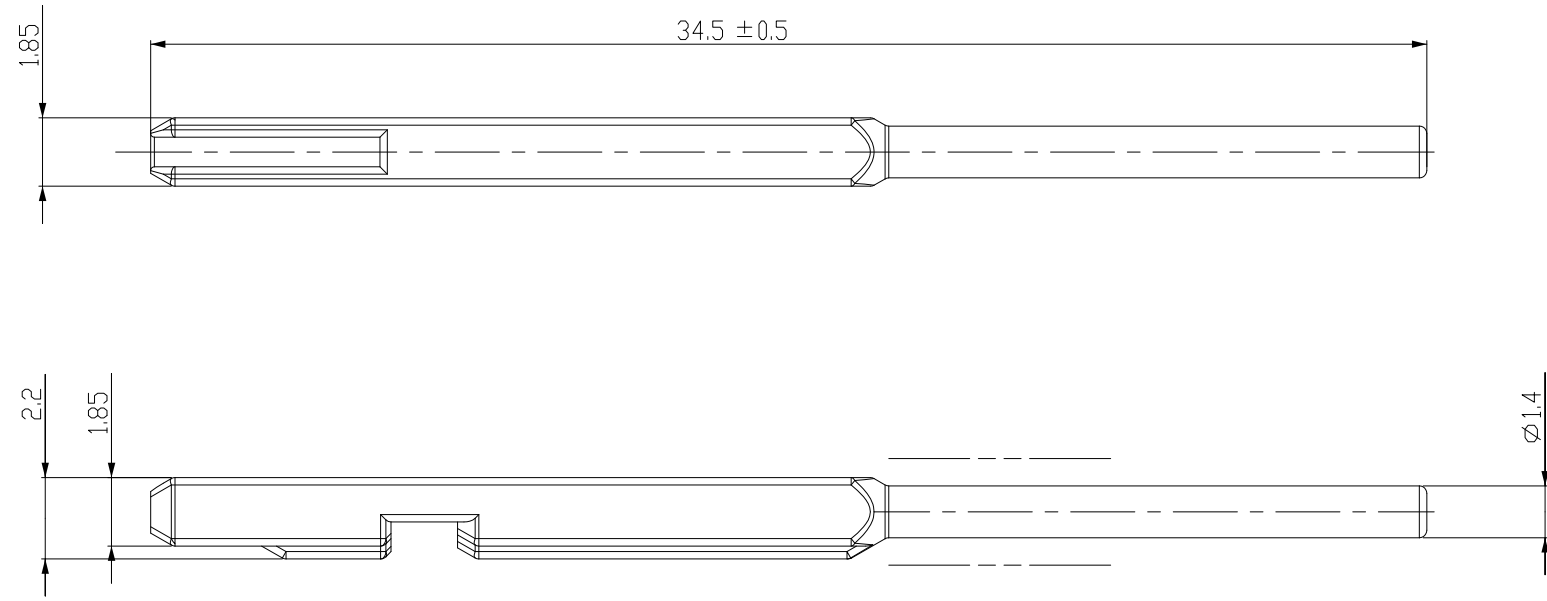
3

2

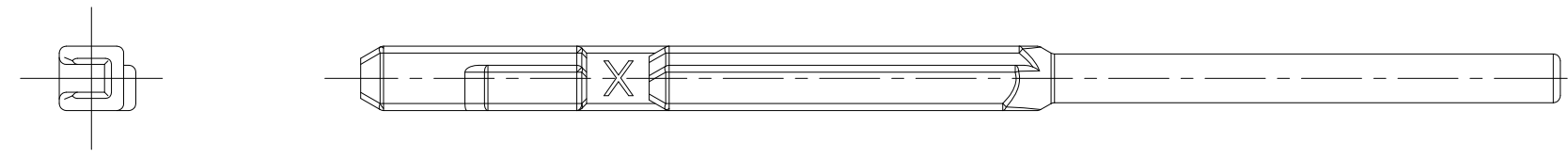
1

THIS DRAWING IS UNPUBLISHED. RELEASED FOR PUBLICATION 2007  
 © COPYRIGHT 2007 BY TYCO ELECTRONICS CORPORATION. ALL RIGHTS RESERVED.

LOC	DIST	REVISIONS			
P	LTR	DESCRIPTION	DATE	DWN	APVD
DS	-	A	REVISED	14.SEP.07	YH JK



3D VIEW  
SCALE 2:1



Notes

- PACKAGING: LOOSE PIECE IN FOLDING BOX
- USED AS SEALING PLUG ON 1897301, 1897302

BLACK	PA66-GF15	SEALING PLUG MQS-CLEAN-BODY	1897421-2
COLOR/FINISH	MATERIAL	DESCRIPTION	P/N

<small>THIS DRAWING IS A CONTROLLED DOCUMENT FOR TYCO ELECTRONICS CORPORATION IT IS SUBJECT TO CHANGE AND THE CONTROLLING ENGINEERING ORGANIZATION SHOULD BE CONTACTED FOR THE LATEST REVISION.</small>		DWN YH MA	Tyco Electronics Kyungsan, korea																
DIMENSIONS: mm		CHK YM CHOI																	
		APVD JK SONG	NAME SEALING PLUG, CONTACT DUMMY MQS-CLEAN-BODY																
TOLERANCES UNLESS OTHERWISE SPECIFIED:		PRODUCT SPEC	RESTRICTED TO																
<table border="1"> <tr><td>0 RLC</td><td>±0.3</td></tr> <tr><td>1 PLC</td><td>±0.3</td></tr> <tr><td>2 PLC</td><td>±0.3</td></tr> <tr><td>3 PLC</td><td>±0.3</td></tr> <tr><td>4 PLC</td><td>±0.3</td></tr> <tr><td>ANGLES</td><td>±3°</td></tr> <tr><td>FINISH</td><td>-</td></tr> </table>		0 RLC	±0.3	1 PLC	±0.3	2 PLC	±0.3	3 PLC	±0.3	4 PLC	±0.3	ANGLES	±3°	FINISH	-	APPLICATION SPEC	SIZE A3	CAGE CODE 00779	DRAWING NO C-1897421
0 RLC	±0.3																		
1 PLC	±0.3																		
2 PLC	±0.3																		
3 PLC	±0.3																		
4 PLC	±0.3																		
ANGLES	±3°																		
FINISH	-																		
MATERIAL SEE TABLE		WEIGHT	SCALE 5:1																
		CUSTOMER DRAWING	SHEET 1 OF 1																
			REV A																