

THIS DRAWING IS UNPUBLISHED.

RELEASED FOR PUBLICATION

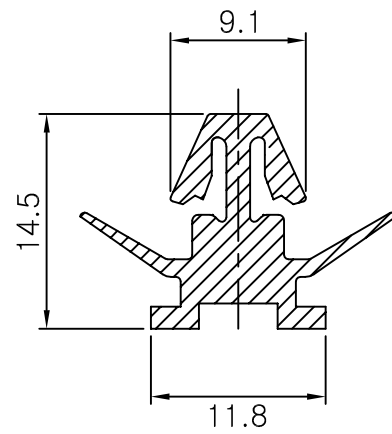
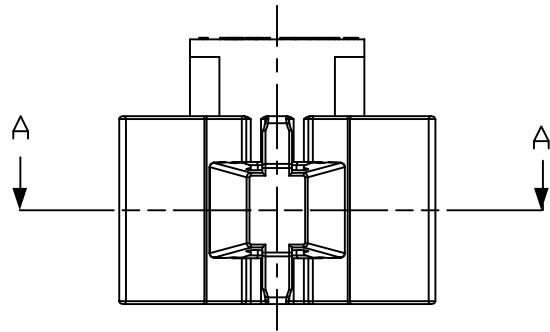
20

© COPYRIGHT 20 BY -

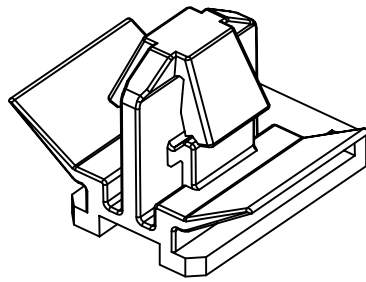
ALL INTERNATIONAL RIGHTS RESERVED.

REVISIONS

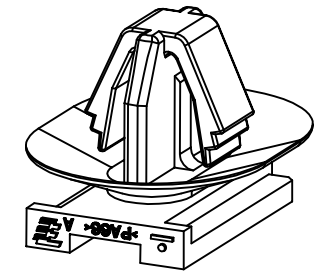
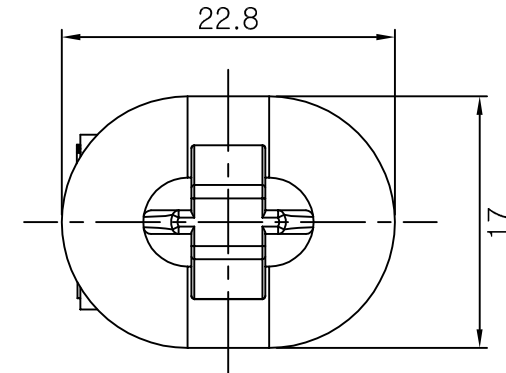
P	LTR	DESCRIPTION	DATE	DWN	APVD
	A1	REVISED (ECR-10-021923)	07.DEC'10	SM	HG



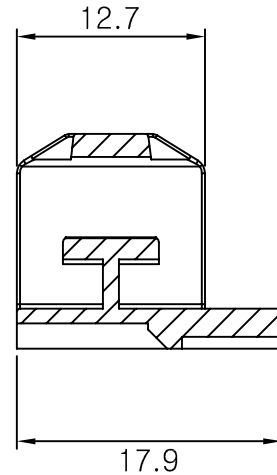
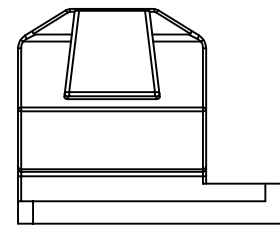
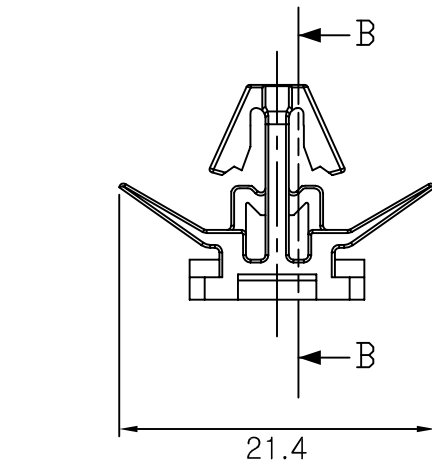
SECTION A-A



ISOMETRIC VIEW



ISO VIEW



SECTION B-B

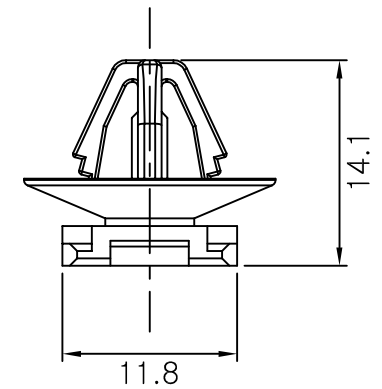
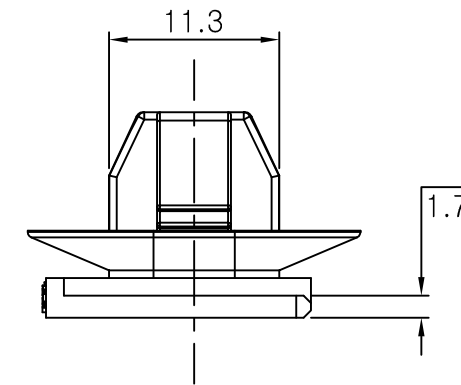
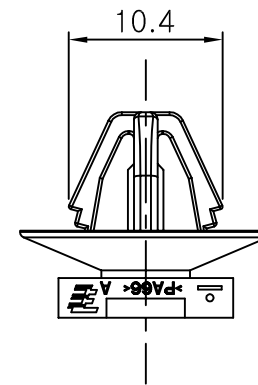


TABLE 1

P/N : 1897255-2	P/N : 1-1897255-2
APPLICATION PANEL SIZE (THICKNESS : 1.2~1.8 mm)	APPLICATION PANEL SIZE (THICKNESS : 0.7~2.0 mm)

- NOTE
- GENERAL TOLERANCE : ± 0.3 , $\pm 3^\circ$
 - APPLICATION PANEL SIZE : SEE TABLE 1

NO	PART NO.	DESCRIPTION	MATERIAL	COLOR
2	1-1897255-2	SLOT CLIP FOR J300	PA66	BLACK
1	1897255-2	SLOT CLIP FOR J300	PA66	BLACK

THIS DRAWING IS A CONTROLLED DOCUMENT.		DWN SM LEE		
DIMENSIONS: mm		CHK KT LIM		
TOLERANCES UNLESS OTHERWISE SPECIFIED:		APVD HG CHO	NAME SLOT CLIP FOR J300	
0 PLC		PRODUCT SPEC	SIZE	
1 PLC		APPLICATION SPEC	CAGE CODE	
2 PLC		WEIGHT	DRAWING NO	
3 PLC		FINISH	RESTRICTED TO	
4 PLC		MATERIAL	SCALE	
ANGLES		SEE TABLE	SHEET 1 OF 1	
FINISH		CUSTOMER DRAWING	REV A1	
MATERIAL		WEIGHT	REV A1	
SEE TABLE		FINISH	REV A1	