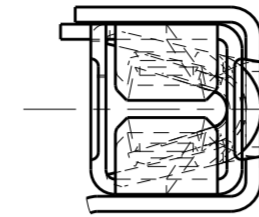
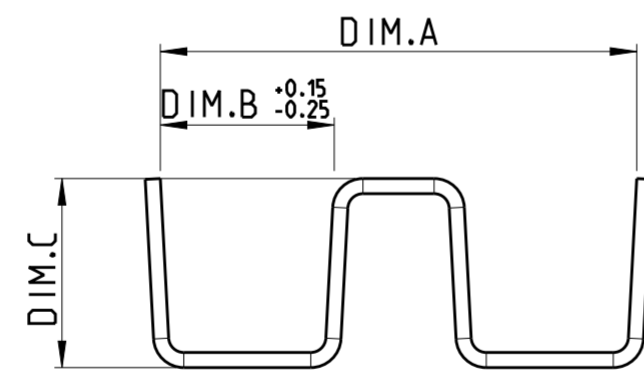
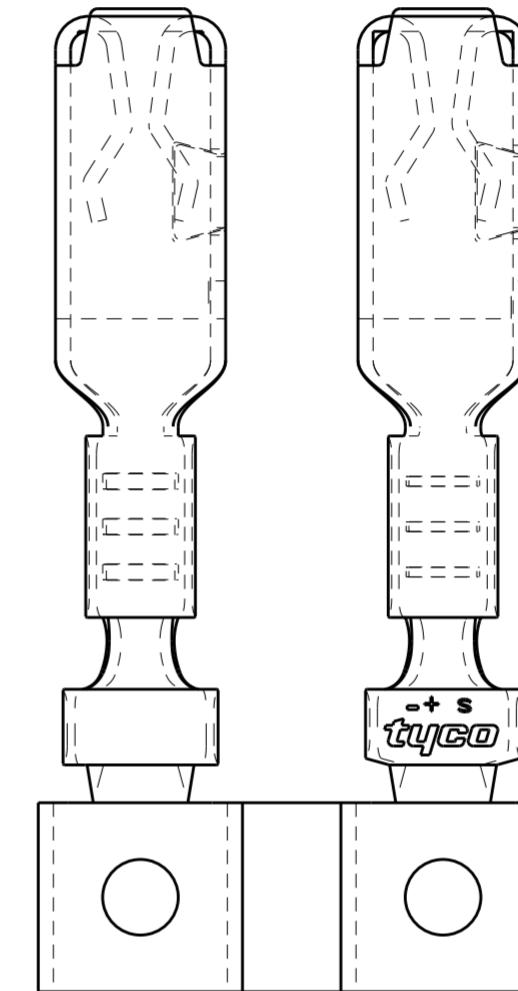
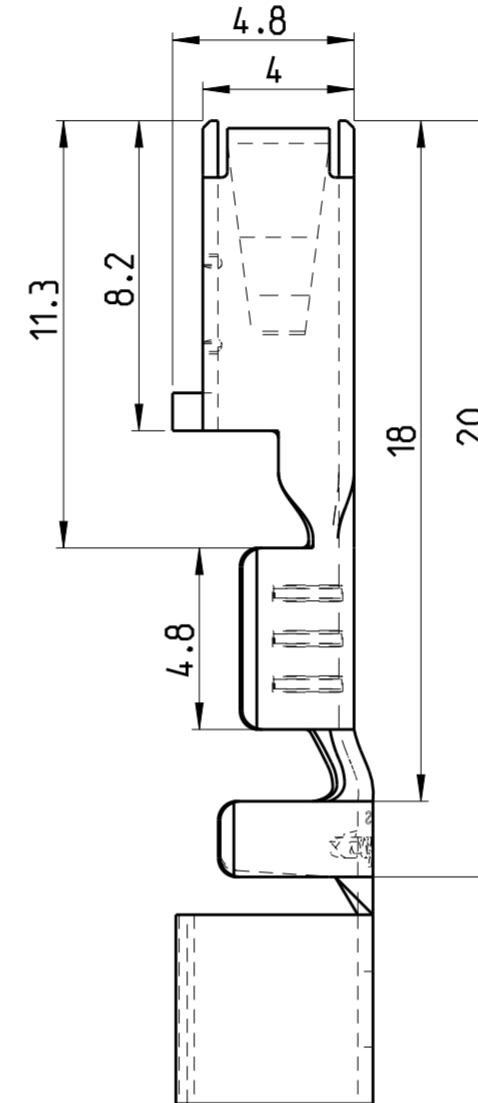
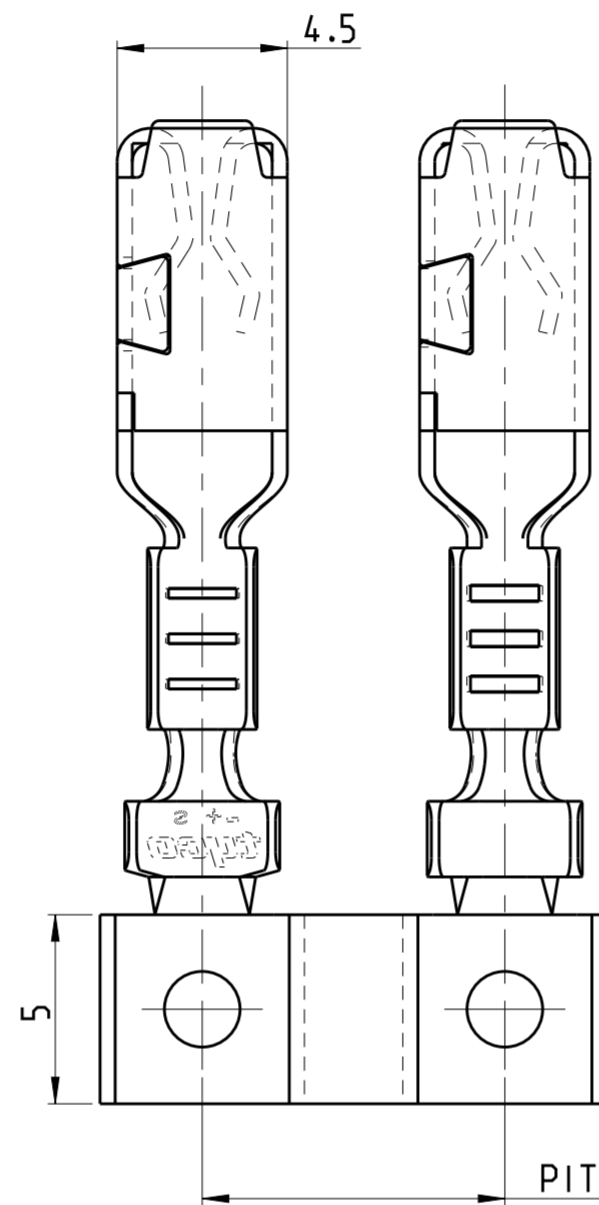
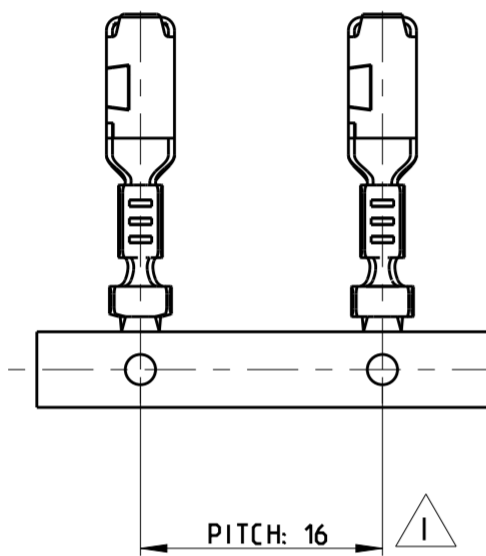


THIS DRAWING IS UNPUBLISHED. RELEASED FOR PUBLICATION 2005
 © COPYRIGHT 2005 BY -TE CONNECTIVITY ALL RIGHTS RESERVED.

REVISIONS				
P	LTR	DESCRIPTION	DATE	APVD
0		RELEASED	05APR2005	X.H K.O
A		REVISED	10DEC2007	D.P K.O
B		ECR-16-017995	11JAN2017	O.Z I.Y



VIEW DRAWING



- NOTES:
 1. FINISH: PRE-TIN PLATED 0.8um MIN. 112-16-4(REFLOWED)
 2. NO CRACK WITH THE EYE
 3. SUITABLE WIRE SIZE IS SHOWN AS TABEL I
 4. 2-1813018-* APPLICATION SPEC REFER TO 1813018-*.
 5. GENERAL TOLERANCE:

0<X<10	±0.20
10<=X<30	±0.25

TABLE I

INSUL RANGE	WIRE RANGE	DIM.A	DIM.B	DIM.C	PITCH	P/N
2.9~3.8DIA	2~3.0SQ	N/A	16.00			1813018-6
2.2~2.7DIA	0.85~1.25SQ					1813018-5
1.5~2.2DIA	0.3~0.5SQ					1813018-4
2.9~3.8DIA	2~3.5SQ	12.6 REF	4.6	5REF	8.00	1813018-3
2.2~2.7DIA	0.85~1.25SQ					1813018-2
1.5~2.2DIA	0.3~0.5SQ					1813018-1
2.9~3.8DIA	2~3.0SQ	11.2REF	4.24	5.7REF	7.00	2-1813018-3
2.2~2.7DIA	0.85~1.25SQ					2-1813018-2
1.5~2.2DIA	0.3~0.5SQ					2-1813018-1

-1 AS SHOWN

THIS DRAWING IS A CONTROLLED DOCUMENT.		DWN X.HE 05APR2005	TE Connectivity	
DIMENSIONS: mm		CHK R.ZHOU 05APR2005		
TOLERANCES UNLESS OTHERWISE SPECIFIED:		APVD K.O.D.A 05APR2005	NAME MINI FUSE RECEPTACLE JUNCTION BOX	
0-PLC ± 1-PLC ±0.3 2-PLC ±0.2 3-PLC ±0.001 4-PLC ±0.0001 ANGLES ±3° FINISH PRE-TIN		PRODUCT SPEC 108-101000	RESTRICTED TO	
MATERIAL COPPER ALLOY		APPLICATION SPEC 114-101000	SIZE A2	CAGE CODE 00779
		WEIGHT 0.93g	DRAWING NO C-1813018	SCALE 7:1
		CUSTOMER DRAWING	SHEET 1 OF 1	REV B