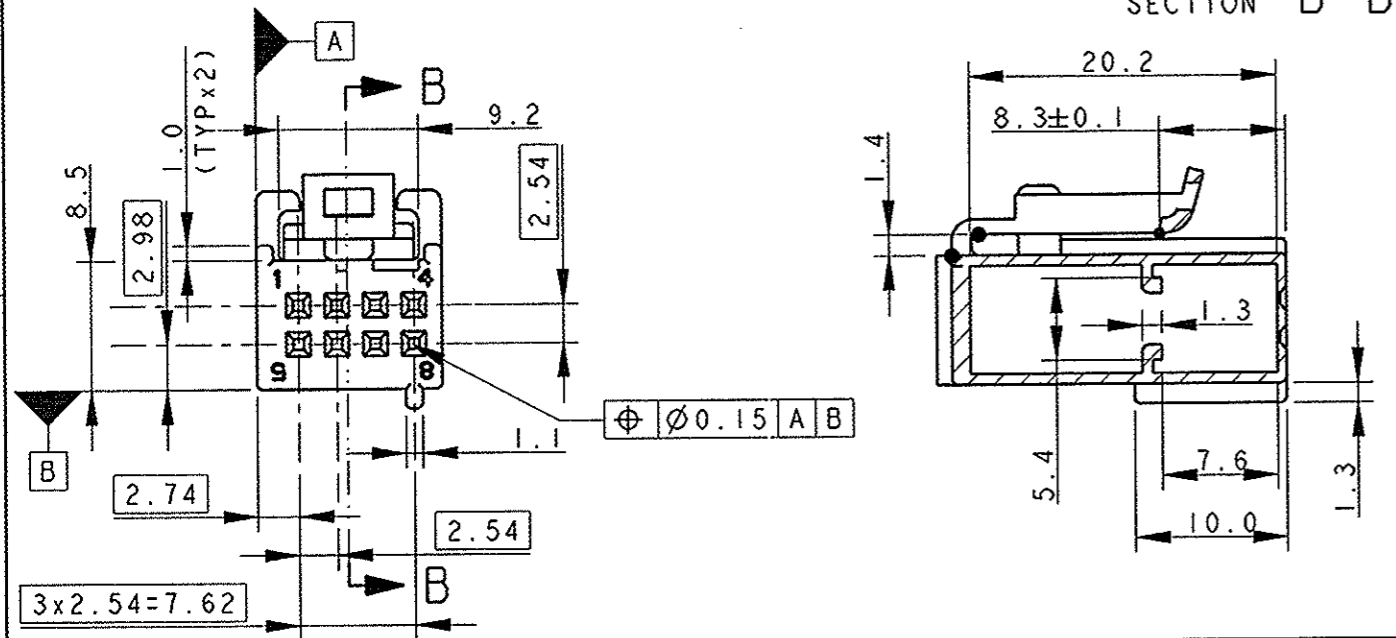
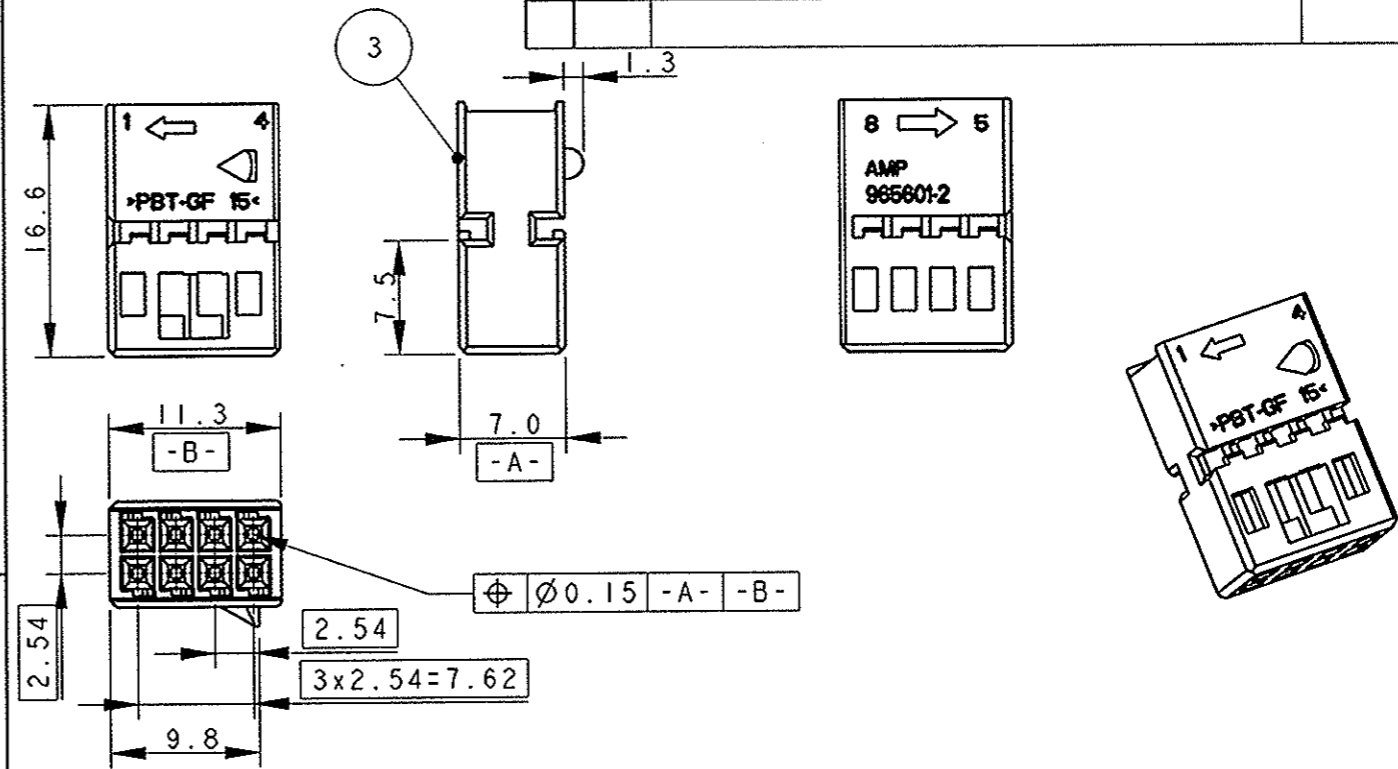


LOC	DIST	REVISIONS			
P	LTR	DESCRIPTION	DATE	DWN	APVD
		OBSOLETE PARTS 1745000-1 AND -2			
	B	WITH ECR-07-013163	11 JUN 2007	M.P.	R.M.

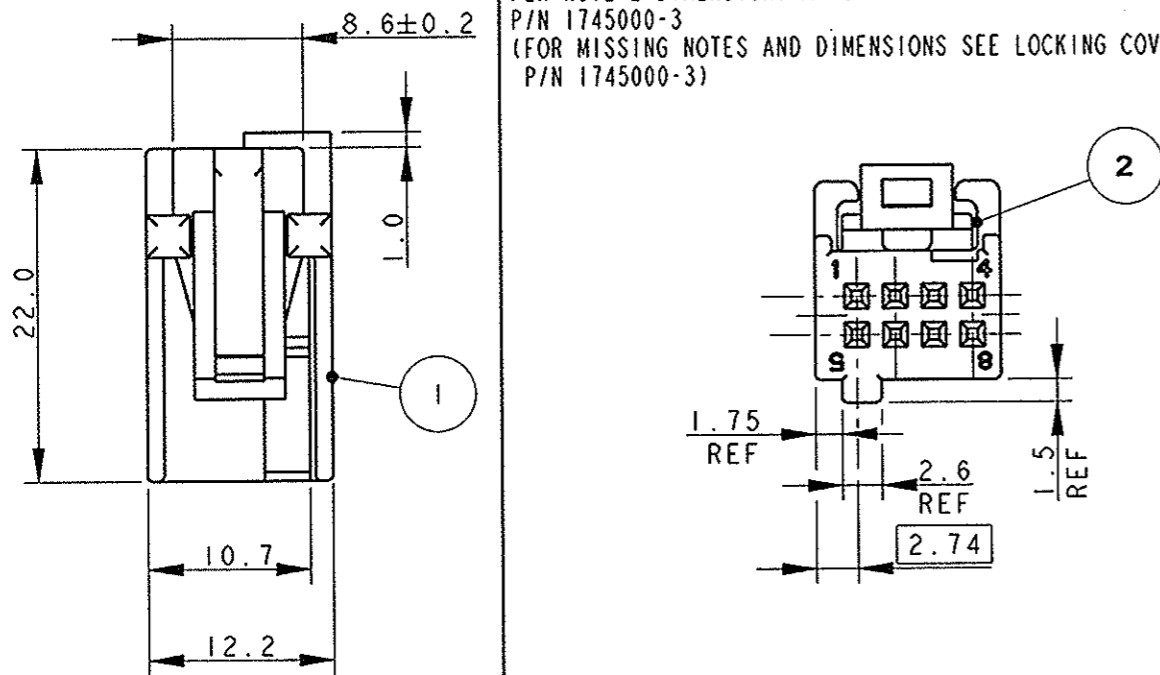
**LOCKING COVER FOR KIT P/N 1745000-3 AS SHOWN**



**HOUSING P/N 965601-2 FOR KIT P/N 1745000-3 AND -4.**



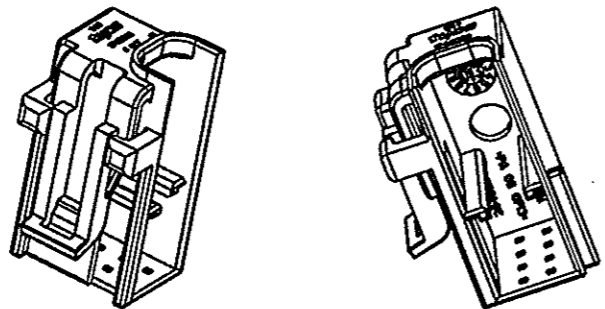
**LOCKING COVER FOR KIT P/N 1745000-4**  
 PER NOTE E DIMENSIONI MANCANTI VEDERE COVER PER KIT P/N 1745000-3  
 (FOR MISSING NOTES AND DIMENSIONS SEE LOCKING COVER FOR KIT P/N 1745000-3)



- 1) CAVITA' ADATTA PER CONTATTO MOS P/N 928999-... E P/N 963715-...  
 (CAVITY SUITABLE FOR MOS CONTACT P/N 928999-... AND P/N 963715-...)
- 2) PER IL DISEGNO DELLA CONTROPARTE VEDERE FOGLIO 2 DI 2  
 (FOR COUNTERPART DETAIL SEE SHEET 2 OF 2)
- 3) STATO DI FORNITURA: I DUE COMPONENTI SONO VENDUTI IN KIT,  
 IN PARI QUANTITA' NELLA STESSA SCATOLA  
 (SUPPLYING CONDITION: TWO COMPONENTS ARE SOLD IN KIT,  
 SAME QUANTITY IN THE SAME CARTON BOX)

REV.	REV.	ITEM	DESCRIZIONE (DESCRIPTION)	COLORE (COLOUR)	MATERIALE (MATERIAL)
		3	BLOCCHETTO PORTAFEMMINE (SOCKET HOUSING)	NERO (BLACK)	PBT GF
		2	CORAZZA (LOCKING COVER)	GRIGIO (GRAY)	PA 6.6 GF
		1	CORAZZA (LOCKING COVER)	NERO (BLACK)	PA 6.6 GF
-4	-3				
REV. A	REV. A				

PROPOSAL NO. WAS:  
KIT 02-51261

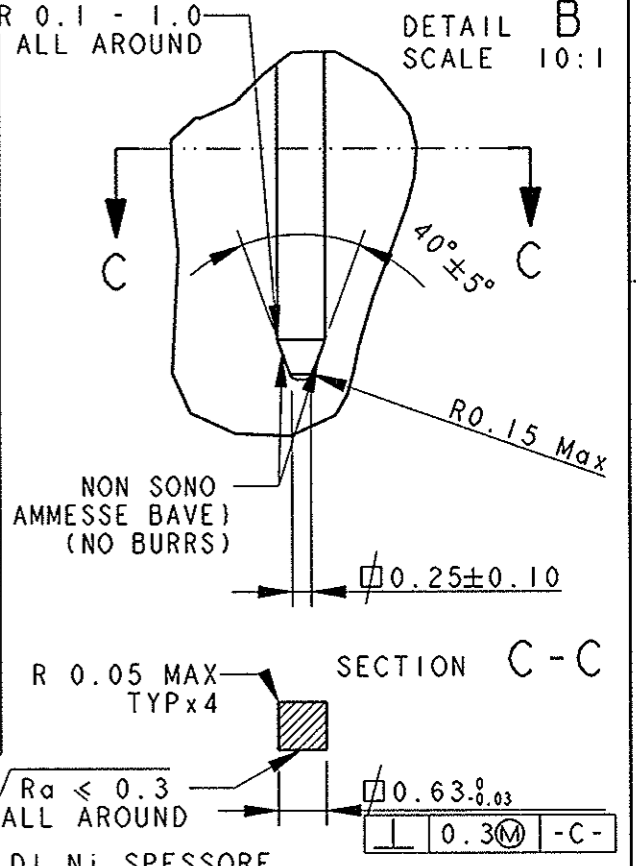
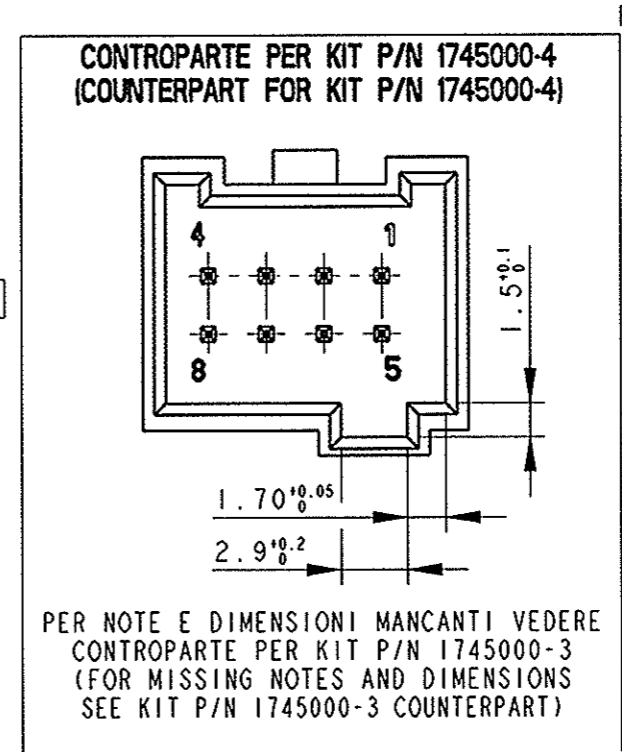
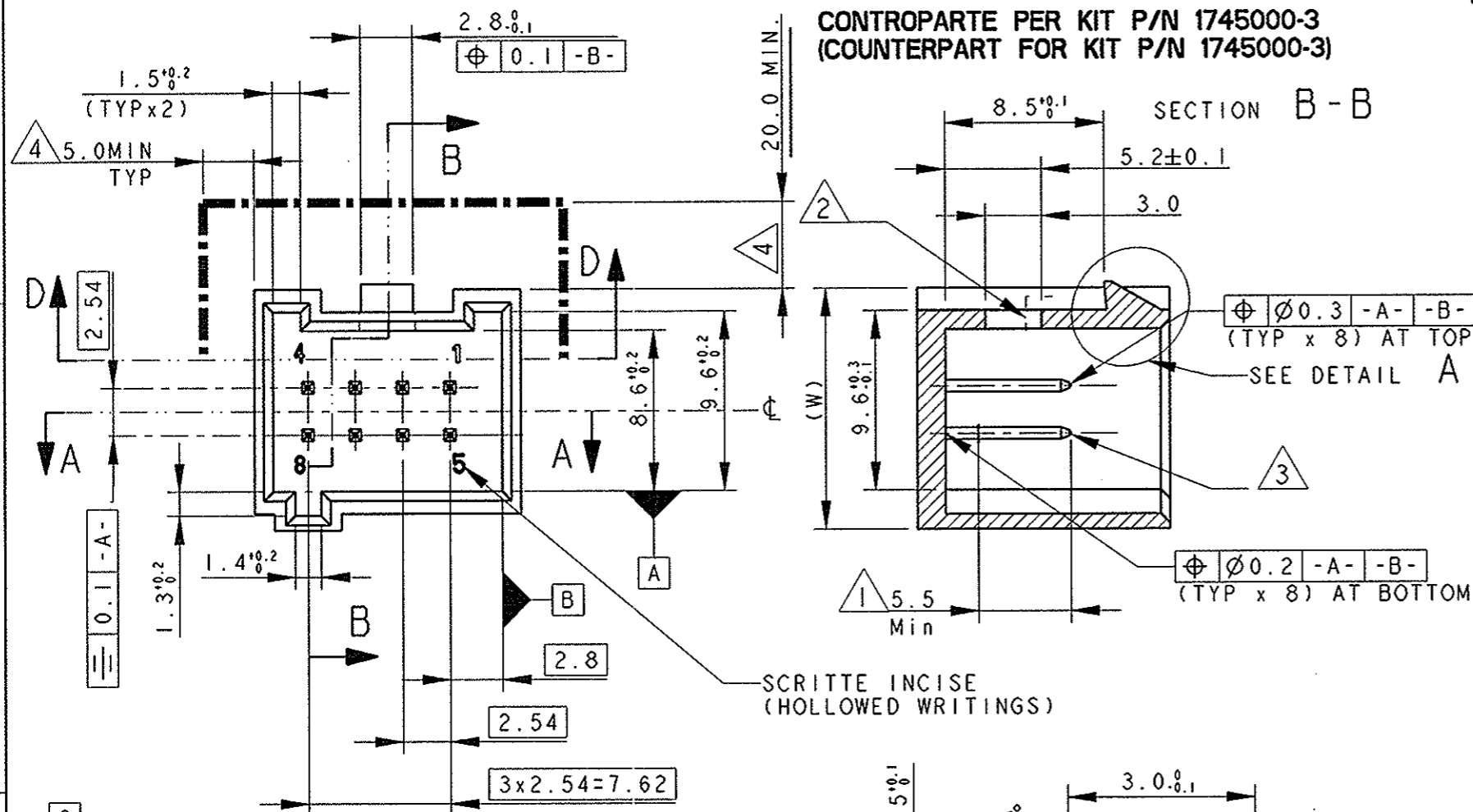


THIS DRAWING IS A CONTROLLED DOCUMENT FOR TYCO ELECTRONICS CORPORATION. IT IS SUBJECT TO CHANGE AND THE CONTROLLING ENGINEERING ORGANIZATION SHOULD BE CONTACTED FOR THE LATEST REVISION.

DIMENSIONS: mm	TOLERANCES UNLESS OTHERWISE SPECIFIED: 0 PLC ± 1 PLC ±0.3 2 PLC ± 3 PLC ± 4 PLC ± ANGLES ±°	MATERIAL VED. TABELLA (SEE TABLE)	FINISH -	DWN M. PALMA	CHK R. MARTINI	APVD A. GENTA	tyco Electronics	AMP Italia S.p.A. C.so F.lli Cervi 15 Collegno (TO)
				10DEC2002		NAME		
				PRODUCT SPEC 108-20245		APPLICATION SPEC 114-18021		
				WEIGHT -		SIZE A3		CAGE CODE 00779
				DRAWING NO C=1745000		RESTRICTED TO -		
				CUSTOMER DRAWING		SCALE 3:1		SHEET 1 OF 2
								REV B

© COPYRIGHT 2002 BY TYCO ELECTRONICS CORPORATION. ALL RIGHTS RESERVED.

LOC	DIST	REVISIONS			
P	LTR	DESCRIPTION	DATE	DWN	APVD
1	-	SEE SHEET 1			



- 1 1-3 μm Sn CON SOTTOSTRATO DI Ni SPESSORE 1.3-2.2 μm (1 μm TO 3 μm Sn OVER 1.3 μm TO 2.2 μm Ni)
- 2 IN QUEST'AREA AMMESSO 0.05 mm MAX DI BAVA (IN THIS AREA 0.05 mm MAX FLASH ADMITTED)
- 3 FORZA DI RITENZIONE DEL SINGOLO CONTATTO 40N min. (SINGLE PIN CONTACT RETENTION FORCE 40N min)
- 4 AREA DA PREVEDERE LIBERA PER UN CORRETTO ACCOPPIAMENTO/ DISACCOPIAMENTO DEL CONNETTORE SULLA DIMA THIS AREA MUST BE FREE FOR A CORRECT CONNECTOR MATING / UNMATING ONTO RELEVANT COUNTERPART.

REF. (REF.)	DIMENSIONI VALIDE PER DIME NUOVE (THESE DIMENSIONS MUST BE CONSIDERED FOR NEW COUNTERPARTS)	DIMENSIONI ACCETTABILI SU DIME ESISTENTI (ACCEPTABLE DIMENSIONS FOR EXISTING COUNTERPARTS)
X	12.0 ± 0.2	12.5 ± 0.3
Y	6.7 <sup>+0.3</sup> <sub>-0.1</sub>	8.0 <sup>0</sup> <sub>-0.5</sub>
W	12.9 ± 0.2	14.4 REF.
Z	3.0 <sup>+0.2</sup> <sub>0</sub>	2.5 <sup>+0.2</sup> <sub>0</sub>

DIMENSIONS:	TOLERANCES UNLESS OTHERWISE SPECIFIED:
mm	0 PLC ±
	1 PLC ±0.1
	2 PLC ±0.05
	3 PLC ±
	4 PLC ±
ANGLES	±°
MATERIAL	FINISH

FINITURA (FINISH)	MATERIALE (MATERIAL)	DESCRIZIONE (DESCRIPTION)	ITEM No.
1	OTTONE (BRASS)	CONTATTO (TAB)	2
----	PA 6.6 CARICATO VETRO (PA 6.6 GLASSFIBER FILLED)	BLOCCHETTO (HOUSING)	1

THIS DRAWING IS A CONTROLLED DOCUMENT FOR TYCO ELECTRONICS CORPORATION IT IS SUBJECT TO CHANGE AND THE CONTROLLING ENGINEERING ORGANIZATION SHOULD BE CONTACTED FOR THE LATEST REVISION.

DWN M. PALMA 13DEC2002  
 CHK R. MARTINI 13DEC2002  
 APVD A. GENTA 13DEC2002

**tyco Electronics** AMP Italia S.p.A. C.so F.lli Cervi 15 Collegno (TO)

NAME: **SOCKET CONNECTOR, 8 POSITIONS KIT FOR MICRO QUADLOK SYSTEM CONTACT**

PRODUCT SPEC: -  
 APPLICATION SPEC: -  
 WEIGHT: -

SIZE: A3 CAGE CODE: 00779 DRAWING NO: C-1745000 RESTRICTED TO: -

CUSTOMER DRAWING SCALE: 3:1 SHEET: 2 OF 2 REV: B