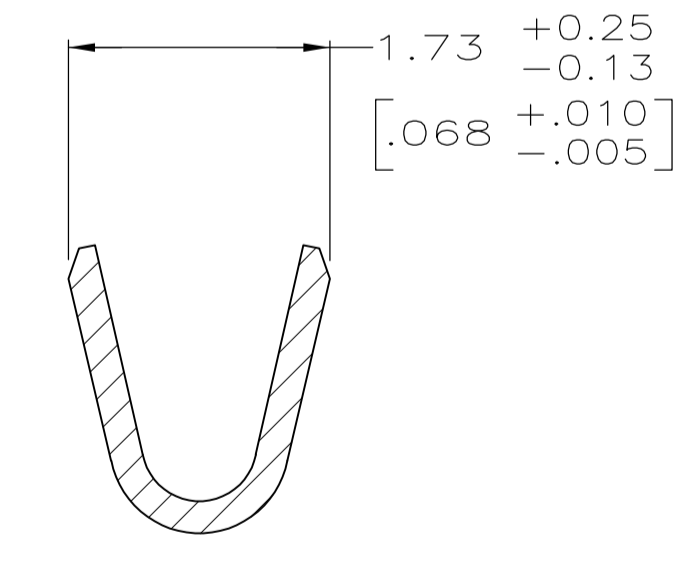


SECTION X-X
INSULATION BARREL
SCALE 20:1



SECTION Y-Y
WIRE BARREL
SCALE 20:1

- 1. FOR MINI-APPLICATOR AND STRIPPER CRIMPER.
- 2. FOR HAND TOOL USE ONLY.
- 3. WIRE RANGE OF 20-24 AWG. INSULATION RANGE OF 1.27/1.52 [.050-.060].
- 4. GOLD PLATING MAY NOT APPEAR ON CARRIER STRIP.
- 5. GOLD PLATED IN LOCALIZED GOLD PLATE AREA AS FOLLOWS:
0.76µm [.000030] MIN GOLD IN MATED AREA, 2.54µm [.000100] MIN TIN ON WIRE BARRELS, ALL OVER 1.27µm [.000050] MIN NICKEL UNDERPLATE.
OR
GOLD FLASH OVER PALLADIUM-NICKEL PLATE, 0.76µm [.000030] MIN TOTAL IN MATED AREA, 2.54µm [.000100] MIN TIN ON WIRE BARRELS, ALL OVER 1.27µm [.000050] MIN NICKEL UNDERPLATE.
- 6. GOLD FLASH IN LOCALIZED GOLD PLATE AREA, 2.54µm [.000100] MIN TIN PLATED WIRE BARRELS, ALL OVER 0.76µm [.000030] MIN NICKEL UNDERPLATE.
- 7. GOLD FLASH IN LOCALIZED GOLD PLATE AREA, 0.76µm [.000030] MIN TIN PLATED WIRE BARRELS, ALL OVER 0.76µm [.000030] MIN NICKEL UNDERPLATE.

1	1	STRIP	1658539-5
6	2	LOOSE PIECE	1658539-4
5	2	LOOSE PIECE	1658539-3
6	1	STRIP	1658539-2
5	1	STRIP	1658539-1
FINISH	USE	TYPE	PART NUMBER

THIS DRAWING IS A CONTROLLED DOCUMENT.

DIMENSIONS: mm [INCHES]	TOLERANCES UNLESS OTHERWISE SPECIFIED: 0. PLC ± - 1. PLC ± - 2. PLC ± 0.13 [.005] 3. PLC ± - 4. PLC ± - ANGLES ± -	DIN R SAMICK 11AUG03 CHK S. BOLASH 11AUG03 APPV M. WALMSLEY 11AUG03	NAME PIN CONTACT, 20 DF, 20-24 AWG, AMPLIMITE
MATERIAL BRASS	FINISH SEE TABLE	WEIGHT -	SIZE A1
CUSTOMER DRAWING		SCALE 10:1	SHEET 1 OF 1

STE TE Connectivity

108-40005

114-10000

1658539