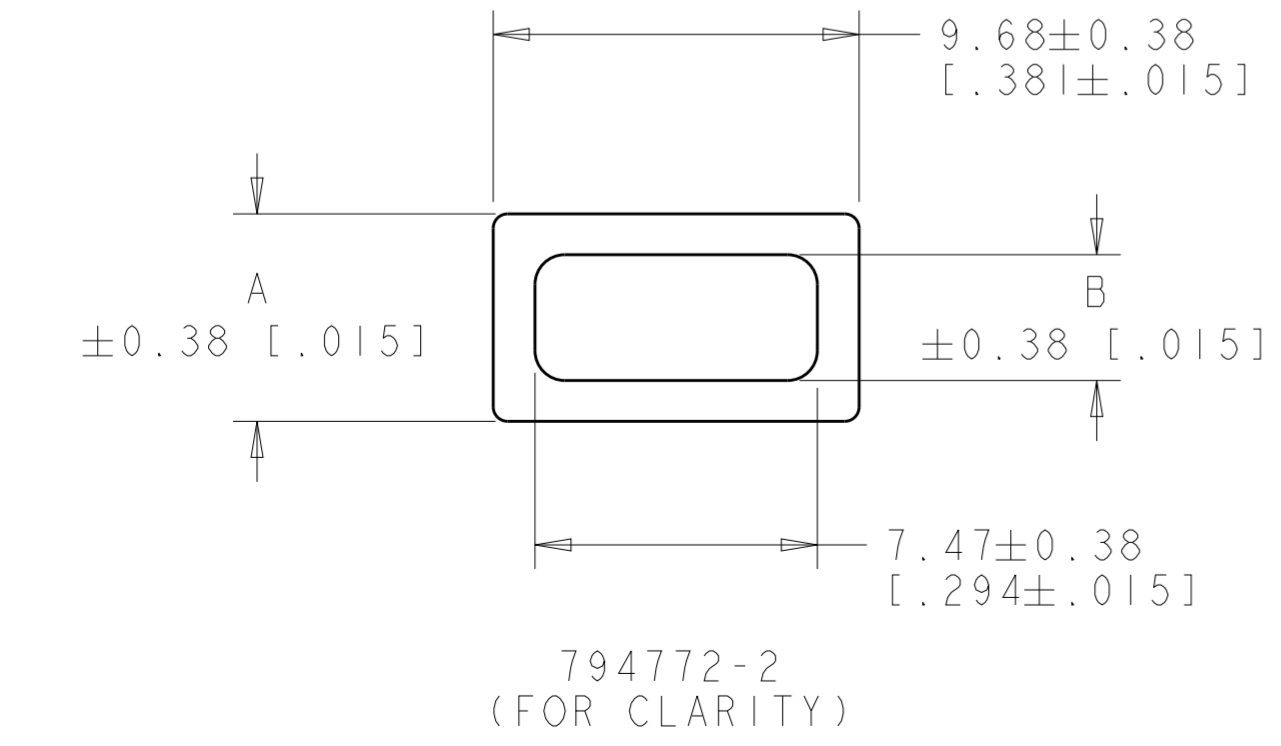
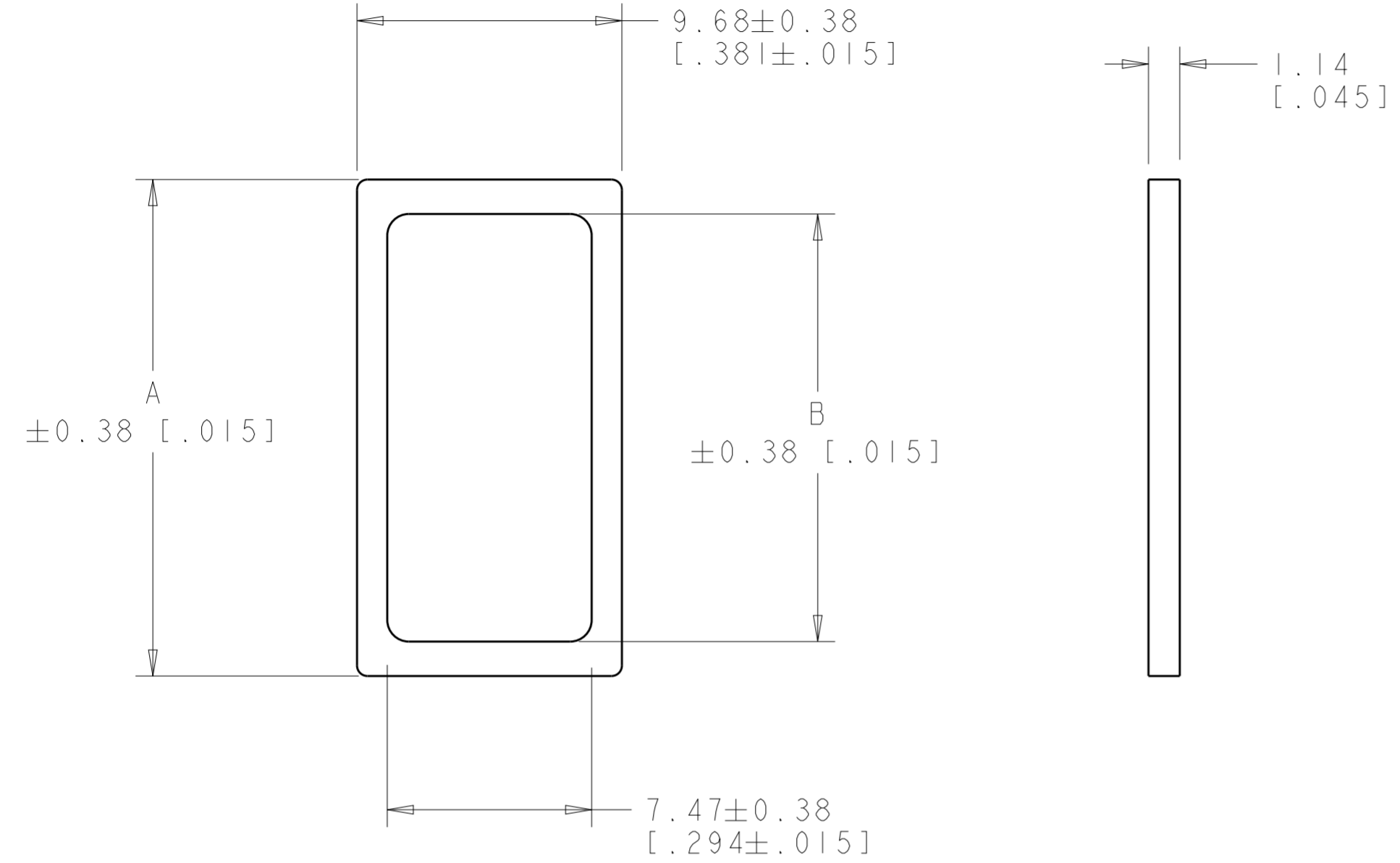


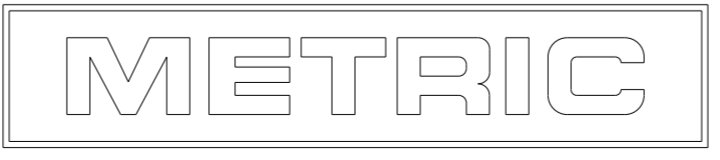
THIS DRAWING IS UNPUBLISHED. RELEASED FOR PUBLICATION 20
 © COPYRIGHT 20 ALL RIGHTS RESERVED.

LOC	DIST	REVISIONS					
CM	00	P	LTR	DESCRIPTION	DATE	DWN	APVD
		C		REVISED PER ECO-09-028095	21DEC2009	HMR	MS
		CI		REVISED PER ECR-15-003909	23MAR2015	AV	DZ

- ① MATERIAL: DIECUT URETHANE FOAM, 50 SHORE A DUROMETER.
- ② PRELIMINARY PART NUMBER.
- ③ MATERIAL: DIECUT URETHANE FOAM, 30 SHORE A DUROMETER.



NOTE	VOLUME IN ³	DIM B	DIM A	POSN	PART NO.
②③	.009	48.86 [1.924]	51.13 [2.013]	24	4-794772-3
②③	.008	44.72 [1.761]	46.99 [1.850]	22	4-794772-2
②③	.008	40.58 [1.598]	42.84 [1.687]	20	4-794772-1
②③	.007	36.49 [1.435]	38.70 [1.524]	18	4-794772-0
②③	.007	32.30 [1.272]	34.56 [1.361]	16	3-794772-9
②③	.006	28.16 [1.109]	30.42 [1.198]	14	3-794772-8
②③	.005	24.02 [.946]	26.28 [1.035]	12	3-794772-7
②③	.005	19.89 [.783]	22.15 [.872]	10	3-794772-6
②③	.004	15.75 [.620]	18.01 [.709]	8	3-794772-5
②③	.003	11.61 [.457]	13.87 [.546]	6	3-794772-4
③	.003	7.47 [.294]	9.68 [.381]	4	3-794772-3
②③	.002	3.33 [.131]	5.49 [.216]	2	3-794772-2
①②	.009	48.86 [1.924]	51.13 [2.013]	24	2-794772-4
①②	.008	44.72 [1.761]	46.99 [1.850]	22	2-794772-2
①②	.008	40.58 [1.598]	42.84 [1.687]	20	2-794772-0
①②	.007	36.49 [1.435]	38.70 [1.524]	18	1-794772-8
①②	.007	32.30 [1.272]	34.56 [1.361]	16	1-794772-6
①②	.006	28.16 [1.109]	30.42 [1.198]	14	1-794772-4
①②	.005	24.02 [.946]	26.28 [1.035]	12	1-794772-2
①	.005	19.89 [.783]	22.15 [.872]	10	1-794772-0
①	.004	15.75 [.620]	18.01 [.709]	8	794772-8
①	.003	11.61 [.457]	13.87 [.546]	6	794772-6
①	.003	7.47 [.294]	9.68 [.381]	4	794772-4
①	.002	3.33 [.131]	5.49 [.216]	2	794772-2



THIS DRAWING IS A CONTROLLED DOCUMENT.

DWN: K. WHITAKER 01FEB2001
 CHK: C. JONES 01FEB2001
 APVD: C. JONES 01FEB2001

DIMENSIONS: mm [INCHES]

TOLERANCES UNLESS OTHERWISE SPECIFIED:
 0 PLC ±
 1 PLC ±
 2 PLC ±0.13 [.005]
 3 PLC ±
 4 PLC ±
 ANGLES ±
 FINISH ±

PRODUCT SPEC: -
 APPLICATION SPEC: -
 WEIGHT: -

CUSTOMER DRAWING

STE TE Connectivity

NAME: PERIMETER INTERFACE SEAL, MINI UNIVERSAL MATE-N-LOK(TM)

SIZE: A2 CAGE CODE: C-794772 DRAWING NO: 794772 RESTRICTED TO: -

SCALE: 5:1 SHEET 1 OF 1 REV: C1