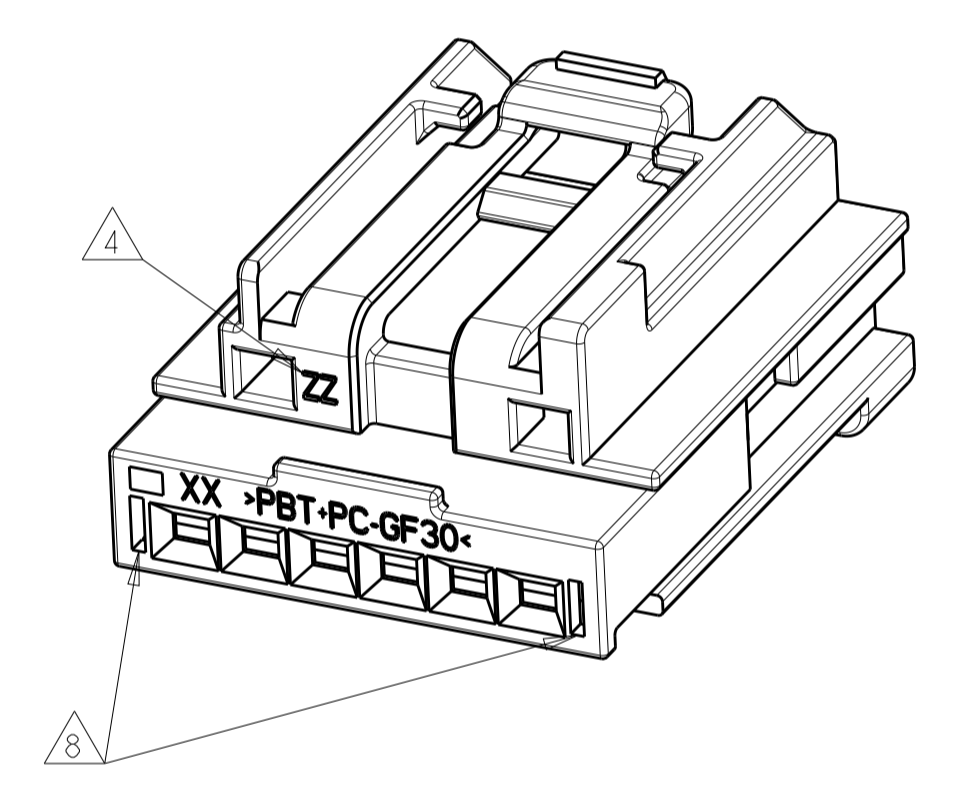


- △ 1 CIRCUIT IDENTIFICATION NUMBERS LOCATED AS SHOWN.
 △ 2 SPACER AND CPA (OPTIONAL) ARE SHIPPED IN PRE-ASSEMBLED POSITION.
 △ 3 PART NUMBER, DATE CODE AND WORK CENTER LOCATION .
 △ 4 CAVITY ID.
 △ 5 MATERIAL IDENTIFICATION.
 △ 6 KEYING OPTION B NOT PREFERRED FOR NEW APPLICATIONS.
 7. PACKAGING: CONNECTOR ASSEMBLIES BULK PACKED IN CARDBOARD BOXES.
 △ 8 OPTIONAL CORE SLOTS FOR MOLD CONSTRUCTION.
 9. SPACER IS SHIPPED IN PRE-LOADED POSITION. SOME SPACERS MAY BECOME FULLY SEATED DURING SHIPPING. USE TE INSTRUCTION SHEET 408-10104 TO REPOSITION SPACER BACK TO IT'S PRE-LOADED POSITION.
 10. REFER TO TE INSTRUCTION SHEET 408-8599 FOR PROPER CONTACT ASSEMBLY/DISASSEMBLY AND CONNECTOR MATING/ UN-MATING PROCEDURE.



										<----- ASSEMBLY PN					
1-1456985-2	1-1456985-1	1-1456985-0	1456985-9	1456985-8	1456985-7	1456985-6	1456985-5	1456985-4	1456985-3	1456985-2	1456985-1	DESCRIPTION	MATERIAL	COLOR	ITEM NO
	-		-		-		-		-		-	CPA	>PBT-GF20<	RED	3
												SPACER	>PBT-GF30<	RED	2
		-	-	-	-	-	-	-	-	-	-	HOUSING; KEY C	>PA66-GF35<	YELLOW	1
-	-			-	-	-	-	-	-	-	-	HOUSING; KEY F	>PA66-GF35<	BLACK	1
-	-	-	-			-	-	-	-	-	-	HOUSING; KEY E	>PA66-GF35<	BLACK	1
-	-	-	-	-	-			-	-	-	-	HOUSING; KEY D	>PA66-GF35<	BLACK	1
-	-	-	-	-	-	-	-			-	-	HOUSING; KEY C	>PA66-GF35<	BLACK	1
-	-	-	-	-	-	-	-	-	-			HOUSING; KEY B	>PA66-GF35<	BLACK	1
QTY REQ'D PER ASSY												REVISION OF EACH ASSY NO (WHEN BLANK, USE DWG REVISION)			
WEIGHT OF EACH ASSY NO (g)															

PARTS LIST

THIS DRAWING IS A CONTROLLED DOCUMENT. DWN: R. VESTAL 14DEC2006
 CHK: D. STRAUSSER 14DEC2006
 APVD: D. STRAUSSER 14DEC2006

DIMENSIONS: mm
 TOLERANCES UNLESS OTHERWISE SPECIFIED:
 0 PLC ±
 1 PLC ±
 2 PLC ±
 3 PLC ±
 4 PLC ±
 ANGLES ±
 FINISH

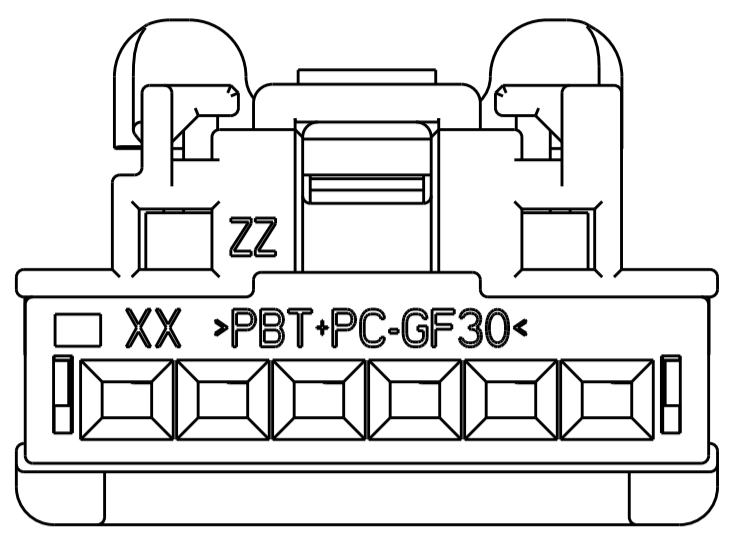
MATERIAL: SEE TABLE

NAME: ASSEMBLY, 1X6 POSITION, GET, FEMALE, UNSEALED
 SIZE: A100779
 CAGE CODE: 1456985
 DRAWING NO: 1456985-1
 RESTRICTED TO: D4

SCALE: 5:1 SHEET 1 OF 2 REV D4

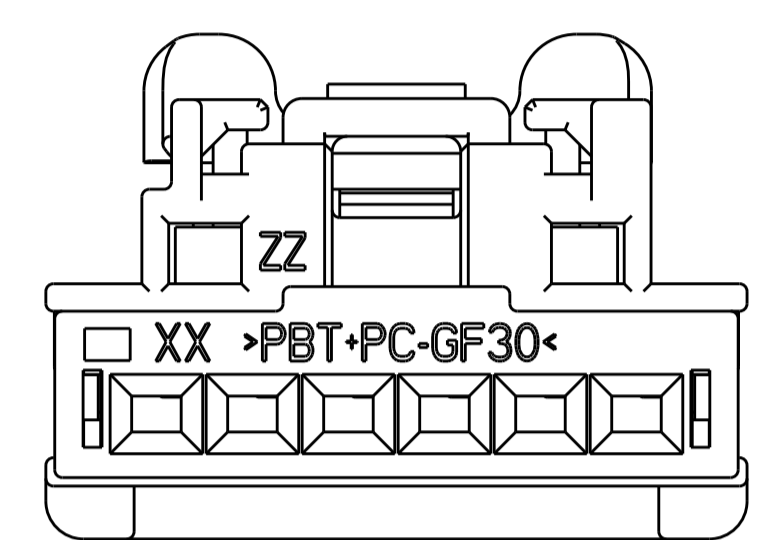
REVISIONS				
P.	LTN.	DESCRIPTION	DATE	APVD.
-	-	SEE SHEET 1	-	-

KEYING OPTION B



(SHOWN WITH CPA)

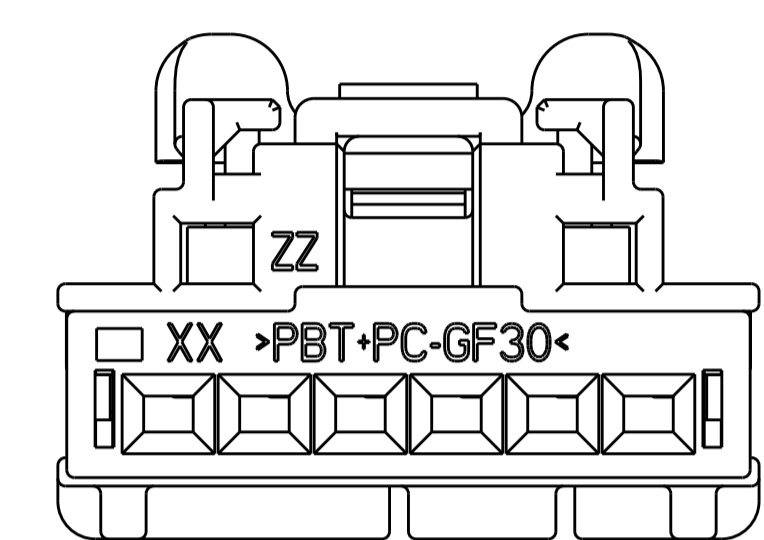
KEYING OPTION B



(SHOWN WITH CPA)

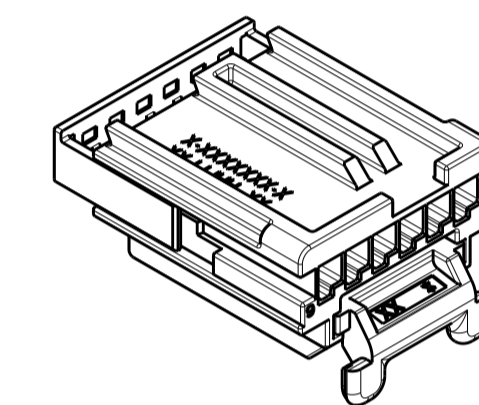
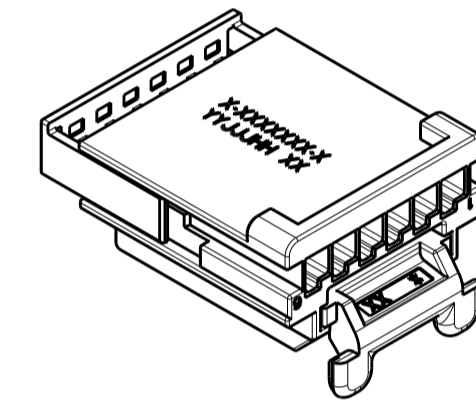
SCALE 2:1

KEYING OPTION C

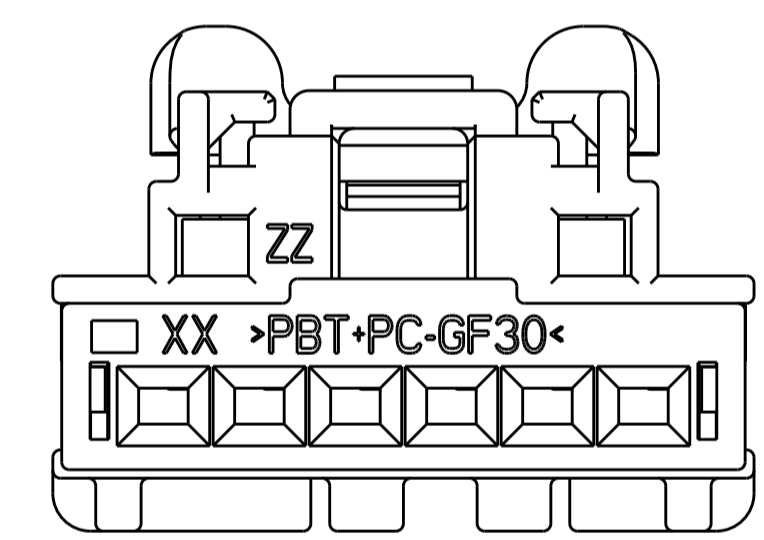


(SHOWN WITH CPA)

SCALE 2:1



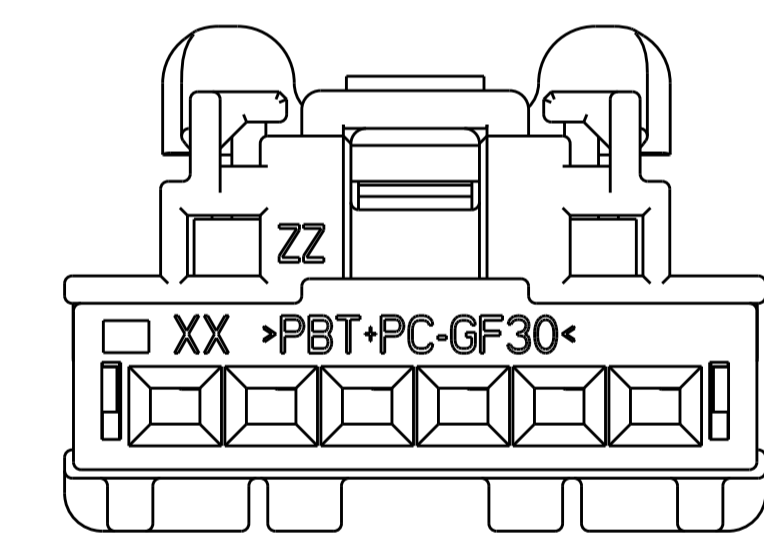
KEYING OPTION D



(SHOWN WITH CPA)

SCALE 2:1

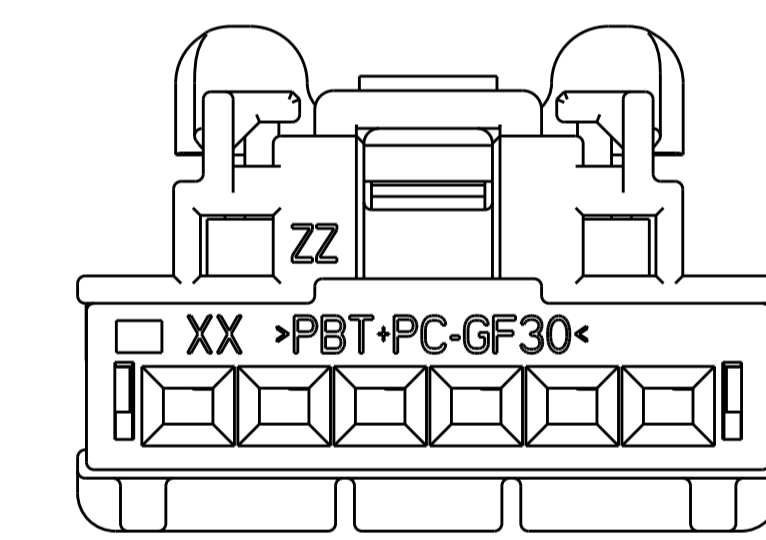
KEYING OPTION E



(SHOWN WITH CPA)

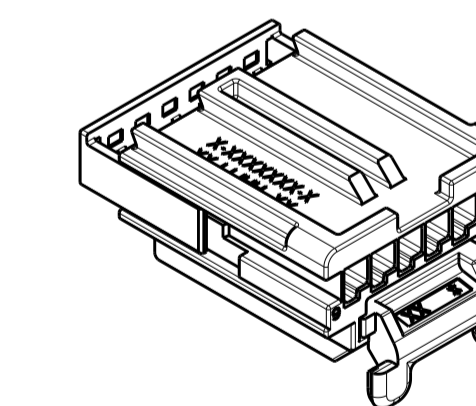
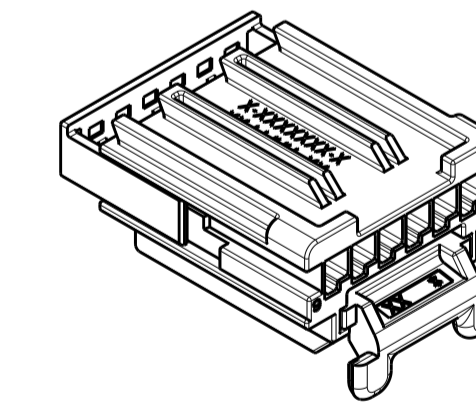
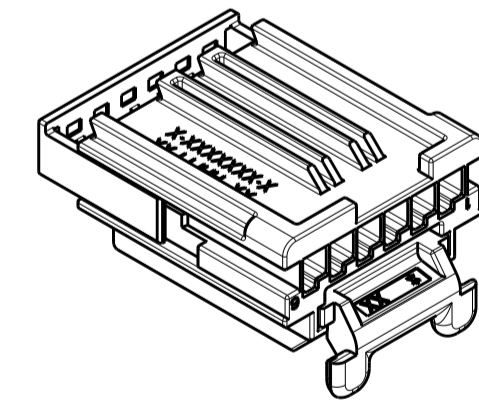
SCALE 2:1

KEYING OPTION F



(SHOWN WITH CPA)

SCALE 2:1



THIS DRAWING IS A CONTROLLED DOCUMENT.		DWN: R. VESTAL 14DEC2006 CHK: D. STRAUSSER 14DEC2006 APVD: D. STRAUSSER 14DEC2006		NAME: ASSEMBLY, 1X6 POSITION, GET, FEMALE, UNSEALED
DIMENSIONS: mm 	TOLERANCES UNLESS OTHERWISE SPECIFIED: 0 PLC ± 1 PLC ± 2 PLC ± 3 PLC ± 4 PLC ± ANGLES ±	PRODUCT SPEC: APPLICATION SPEC: WEIGHT: CUSTOMER DRAWING		