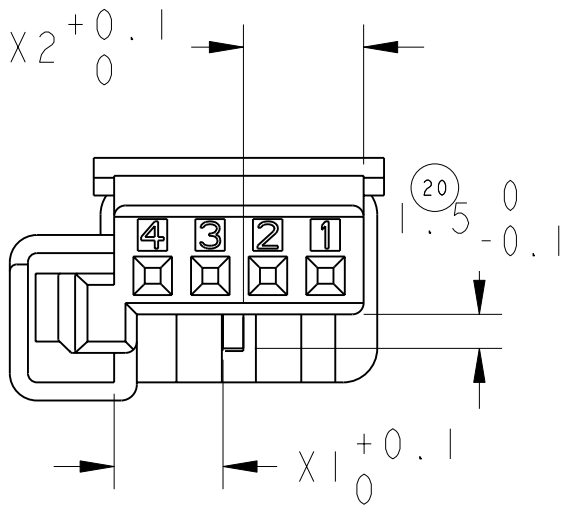


THIS DRAWING IS UNPUBLISHED. / RELEASED FOR PUBLICATION
 DIFFUSION RESTREINTE / LIBRE A LA DIFFUSION
 © COPYRIGHT 20 / BY TYCO ELECTRONICS CORPORATION. ALL RIGHTS RESERVED.
 TOUS DROITS RESERVES

LOC		DIST		REVISIONS			
P	LTR	DESCRIPTION MODIFICATIONS	DATE	DWN DESS.	APVD APP.		
A		ADD RADIUS ON THE LOCKING LANCE RIB.	22JUN2001	SA	JJR		
B		TE UPDATE - MARKING POSITION UPDATED	25JAN2011	EC	XR		

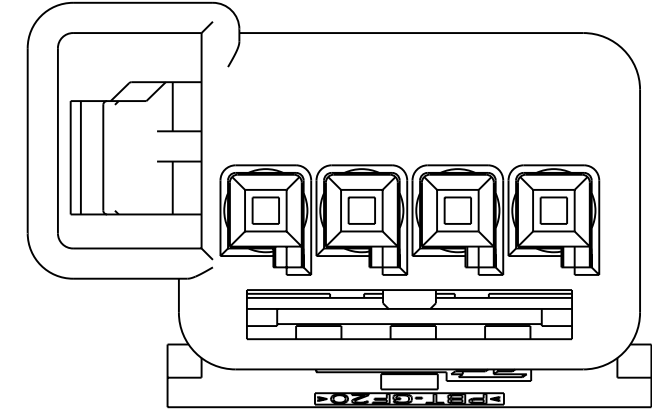
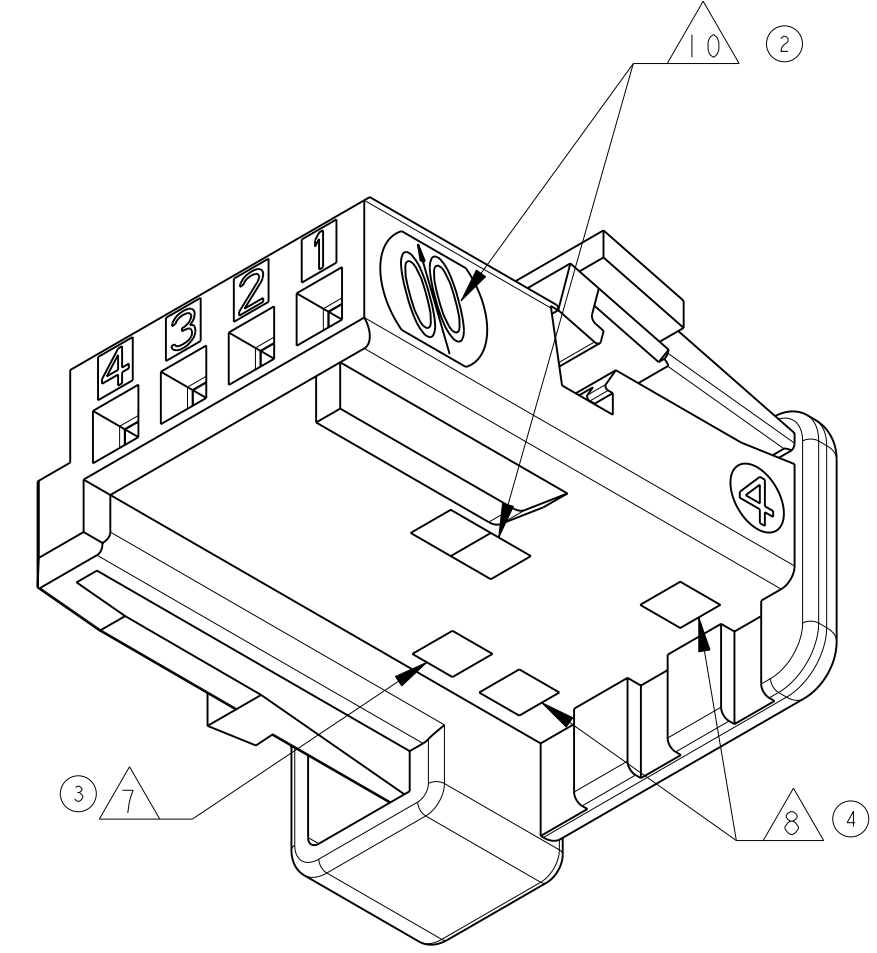
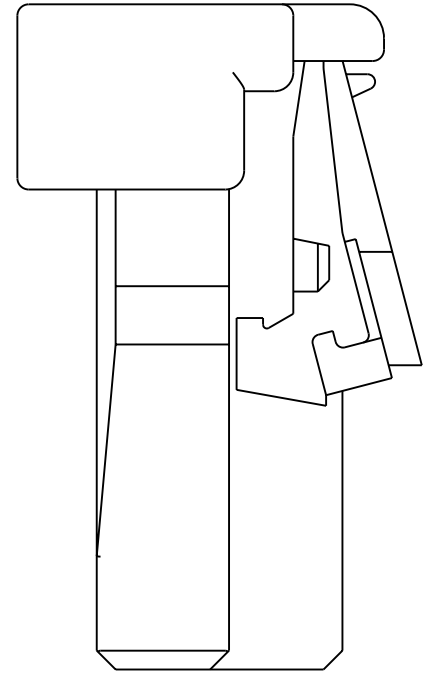
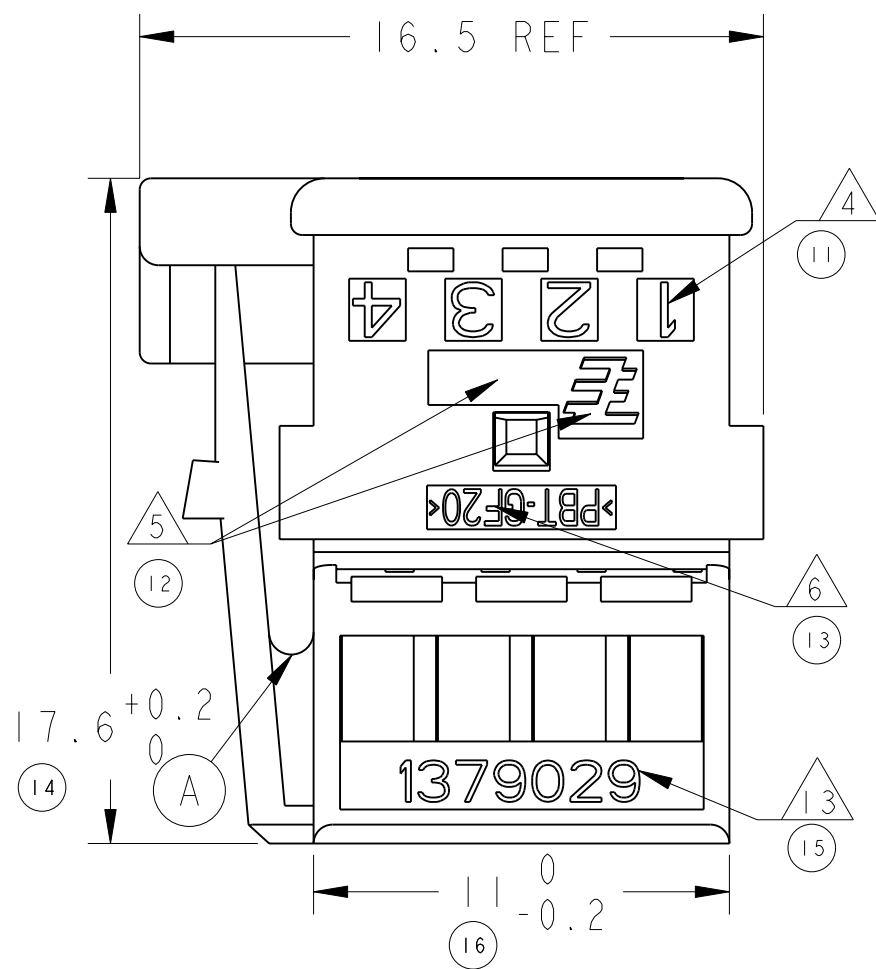
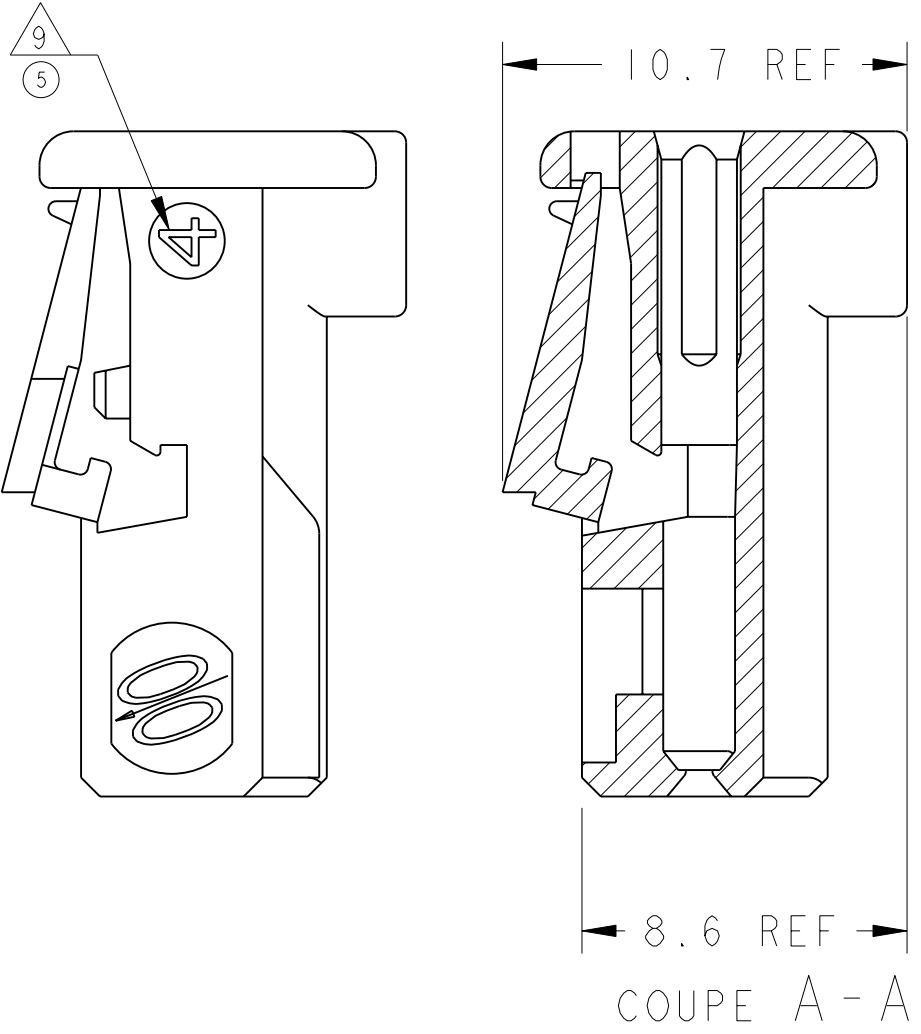
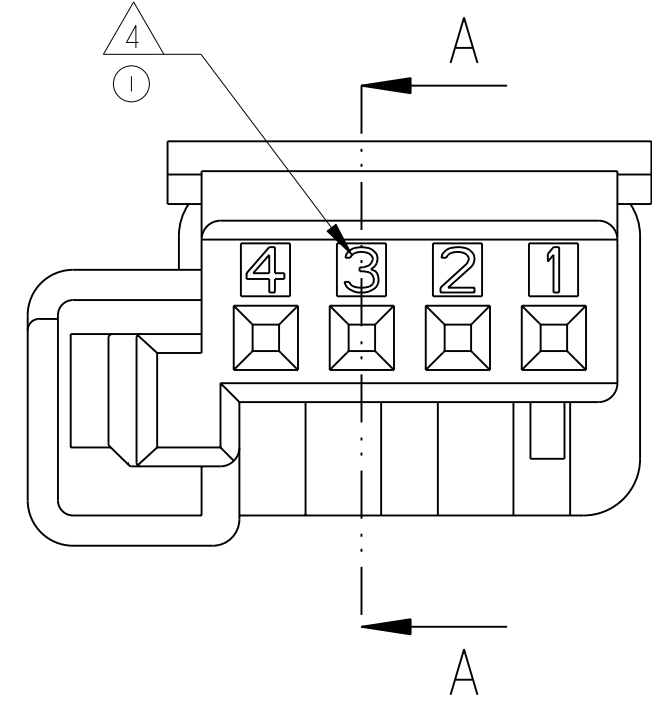
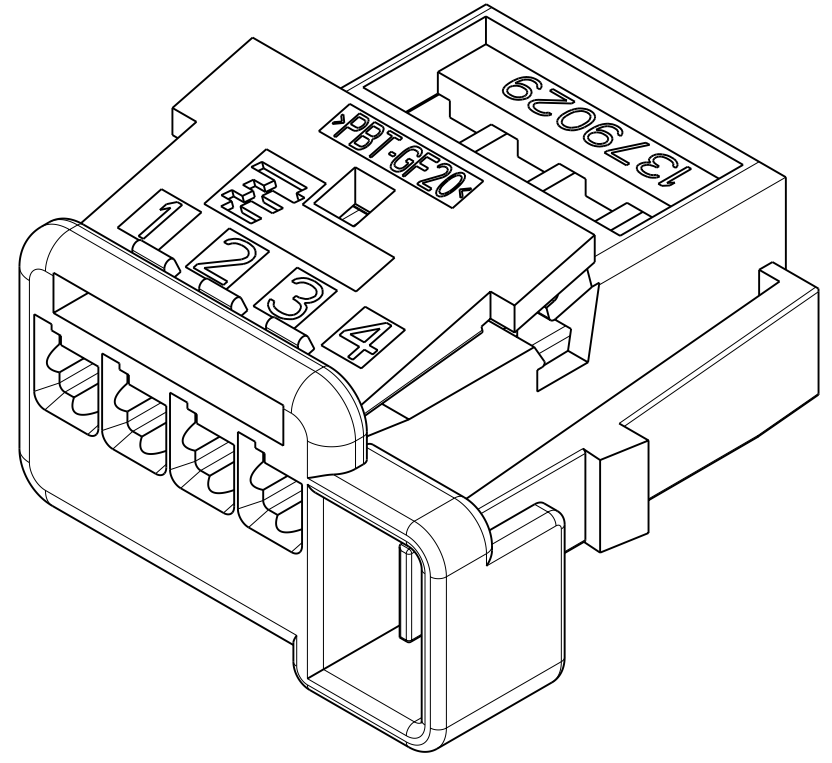
TABLE DE CODAGE - KEYING TABLE

COULEUR / COLOUR	X1	X2	REF. TE / TE PN
NOIR / BLACK	(21) 8.7	(22) 1.4	1379029-1
BLANC / WHITE	(23) 7.4	(24) 2.7	1379029-2
BLEU / BLUE	(25) 6.1	(26) 4	1379029-3
JAUNE / YELLOW	(27) 4.8	(28) 5.3	1379029-4
GRIS / GREY	(29) 3.5	(30) 6.6	1379029-5
MARRON / BROWN	(31) 2.2	(32) 7.9	1379029-6



NOTES :

- POSITION DES ALVEOLES SUIVANT INTERFACE TE 208-15592
INTERFACE ACCORDING TO TE 208-15592
- PIECE A UTILISER AVEC LE CLIP MQS 144969-x, 928999-x OU 963715-x
TO USE WITH MQS RECEPTACLE 144969-x, 928999-x OR 963715-x
- 1379029-1 REPRESENTE
1379029-1 AS SHOWN
- REPERE D'ALVEOLE
CAVITY IDENTIFICATION
- LOGO TE OR AMP
TE OR AMP STAMP
- MARQUAGE MATIERE
MATERIAL IDENTIFICATION
- MARQUAGE DU MOULE (OPTION)
MOLD IDENTIFICATION (OPTIONAL)
- INDICE DE REVISION DE MOULE (EMPLACEMENT OPTIONNEL)
MOLD REVISION NUMBER (OPTIONAL LOCATION)
- NUMERO D'EMPREINTE DE MOULE
MOLD CAVITY IDENTIFICATION NUMBER
- DATEUR (EMPLACEMENT OPTIONNEL)
DATE CODE (OPTIONAL LOCATION)
- REFERENCE TE
TE PN



THIS DRAWING IS A CONTROLLED DOCUMENT FOR TYCO ELECTRONICS CORPORATION IT IS SUBJECT TO CHANGE AND THE CONTROLLING ENGINEERING ORGANIZATION SHOULD BE CONTACTED FOR THE LATEST REVISION. CE PLAN EST UN DOCUMENT CONTROLE PAR AMP INCORPORATED. IL EST SUSCEPTIBLE D'UNE REVISION. CONTACTER LE SERVICE TECHNIQUE D'AMP DE FRANCE POUR OBTENIR LA DERNIERE REVISION.		DWN/DESSINE O. LEMAIRE 13JAN00	TYCO Electronics France 95301 PONTOISE	
DIMENSIONS: mm		CHK/VERIFIE J. LALANGE 14FEB00	NAME PORTE-CLIPS 4 VOIES MQS AVALOIR	
TOLERANCES UNLESS OTHERWISE SPECIFIED: (SUIV. NB DE DECIMALES) 0 P.LC./DEC. ± 1 P.LC./DEC. ± 2 P.LC./DEC. ± 3 P.LC./DEC. ± 4 P.LC./DEC. ±		APVD/APROUVE JJ. REVIL 14FEB00	TITRE 4 POS. MQS RECEPTACLE HOUSING POSITIVE MATE	
MATERIAL/MATIERE PBT GF20		PRODUCT SPEC 108-15236	RESTRICTED TO RESERVE A	
FINISH/FINITION		APPLICATION SPEC 411-15635	SIZE A2	
ANGLES ±5°		WEIGHT MASSE APPROX. 1.2g	CAGE CODE 00779	
		CUSTOMER DRAWING /PLAN CLIENT	DRAWING NO No PLAN C-1379029	
		UNIQUEMENT POUR REFERENCE	SCALE Echelle 5:1	
			SHEET FEUILLE 1	
			OF DE 1	
			REV B	