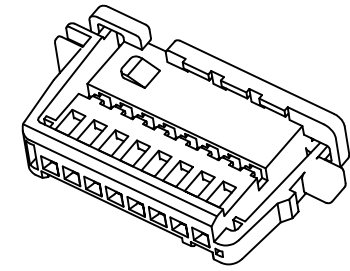
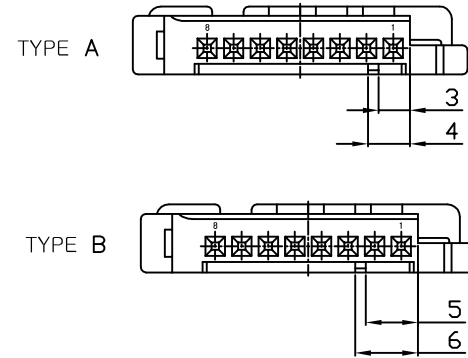


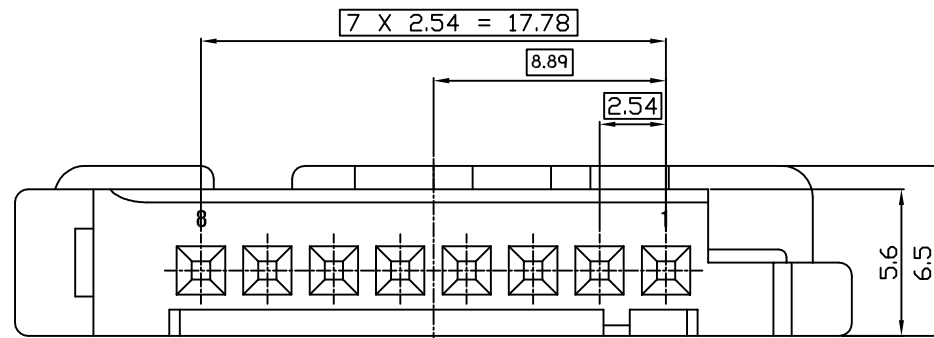
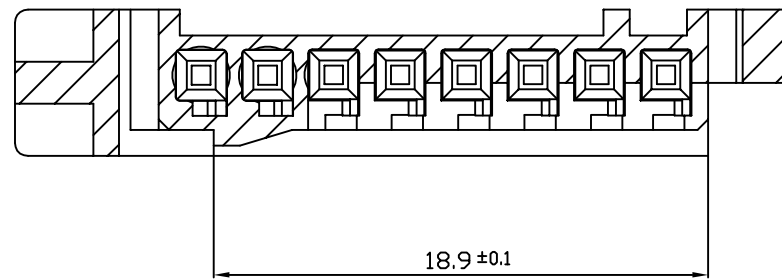
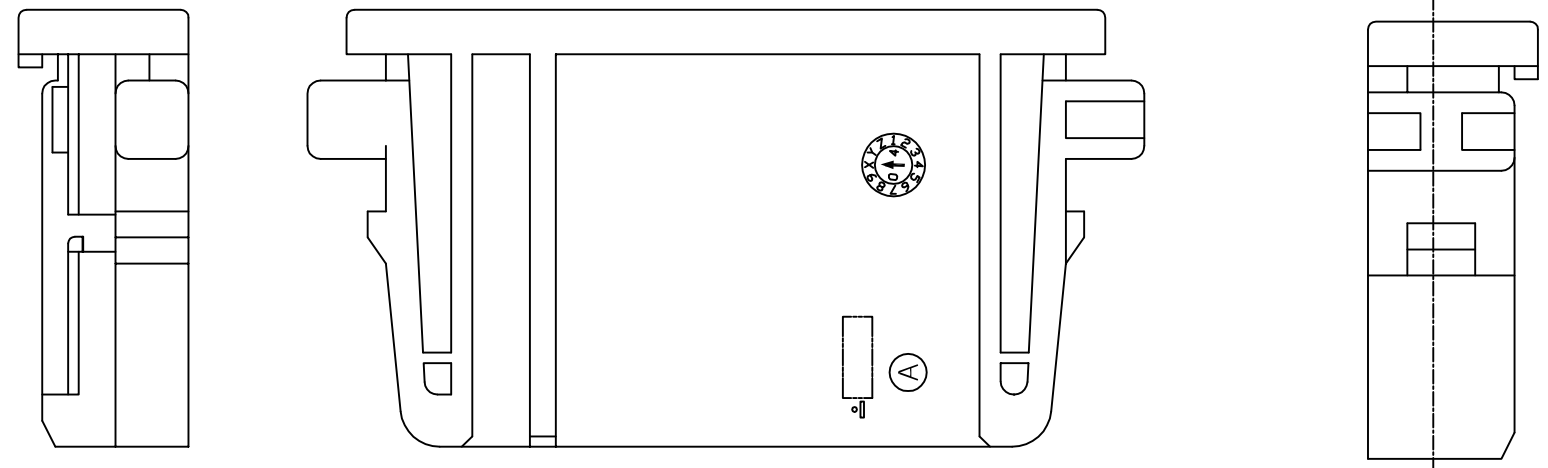
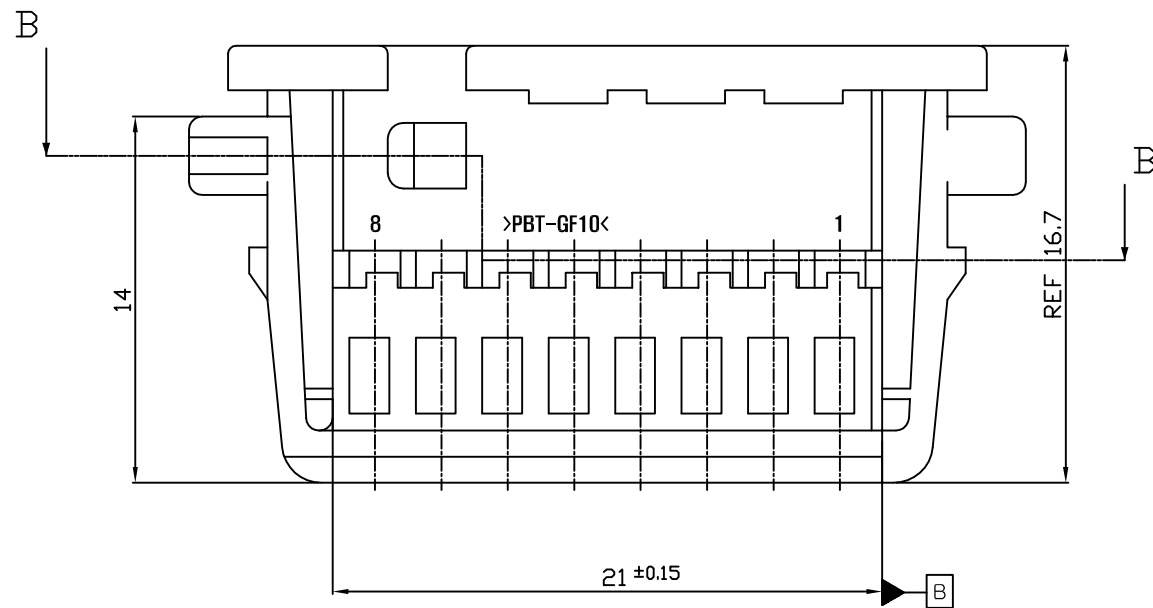
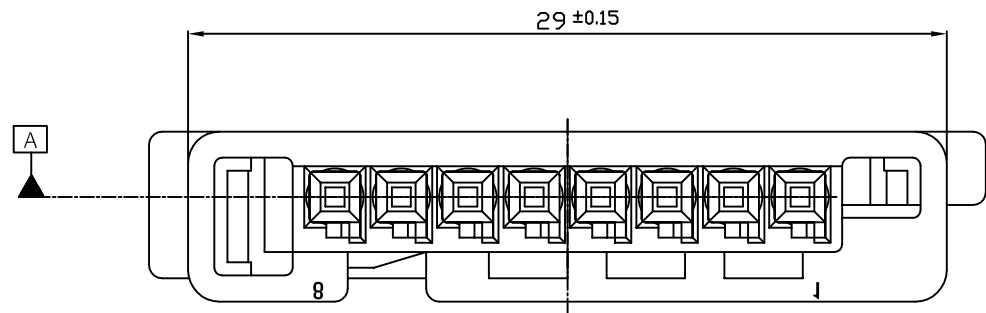
THIS DRAWING IS UNPUBLISHED. RELEASED FOR PUBLICATION 20
 © COPYRIGHT 20 BY - ALL RIGHTS RESERVED.

LOC	DIST	REVISIONS					
		P	LTR	DESCRIPTION	DATE	DWN	APVD
-	-	A		RELEASED	01/JUN/05	SB	CS
		B		REVISED	22/DEC/05	SB	JK
		B1		REVISED (ECR-16-006228)	26/NOV/13	SJ	HG

CODING (SCALE 2/1)



3D VIEW
(SCALE 2:1)



NOTE

- 1. APPLIED CAP CONNECTOR P/N : X-1743284-X
- ② 2. APPLIED DBL HOUSING P/N : 0-1743283-1

NO.	DESCRIPTION	CODE	P/N	MATERIAL	COLOR/FINISH
④ 4	SOCKET HSG	B	1-1743282-6	PBT-GF10	RED
③ 3	SOCKET HSG	B	1-1743282-3	PBT-GF10	LIGHT GRAY
2	SOCKET HSG	B	1-1743282-2	PBT-GF10	BLACK
1	SOCKET HSG	A	0-1743282-1	PBT-GF10	NATURAL

control priority dimension;
 ■ CRITICAL, ☒ MAJOR, □ MINOR
 THIS DRAWING IS A CONTROLLED DOCUMENT FOR LITEC ELECTRONICS CORPORATION
 THIS DRAWING IS A CONTROLLED DOCUMENT.

DIMENSIONS: MM	TOLERANCES UNLESS OTHERWISE SPECIFIED: DECIMALS ± 0.3 ANGLES ± 3°
MATERIAL SEE TABLE	FINISH

DWN: SJ CHOI
 CHK: JW JUNG
 APVD: HG CHOI
 PRODUCT SPEC

STE TE Connectivity

NAME: MQS, SOCKET HOUSING, 8 POS

APPLICATION SPEC	SIZE: A2	CAGE CODE: 00779	DRAWING NO: C=1743282	RESTRICTED TO: -
WEIGHT	CUSTOMER DRAWING			SCALE: 5:1
				SHEET 1 OF 1 REV B1