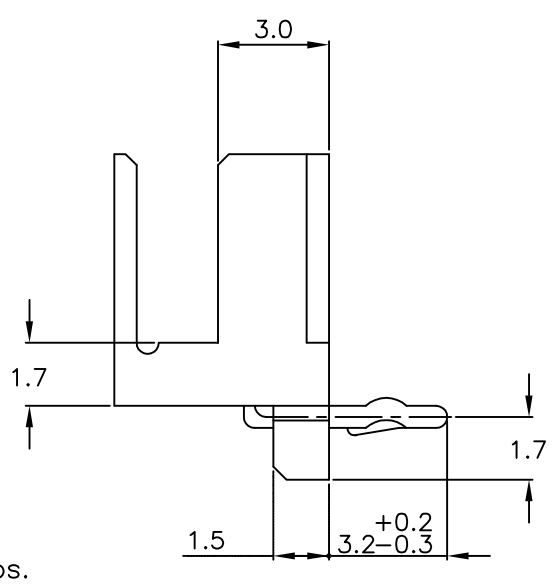
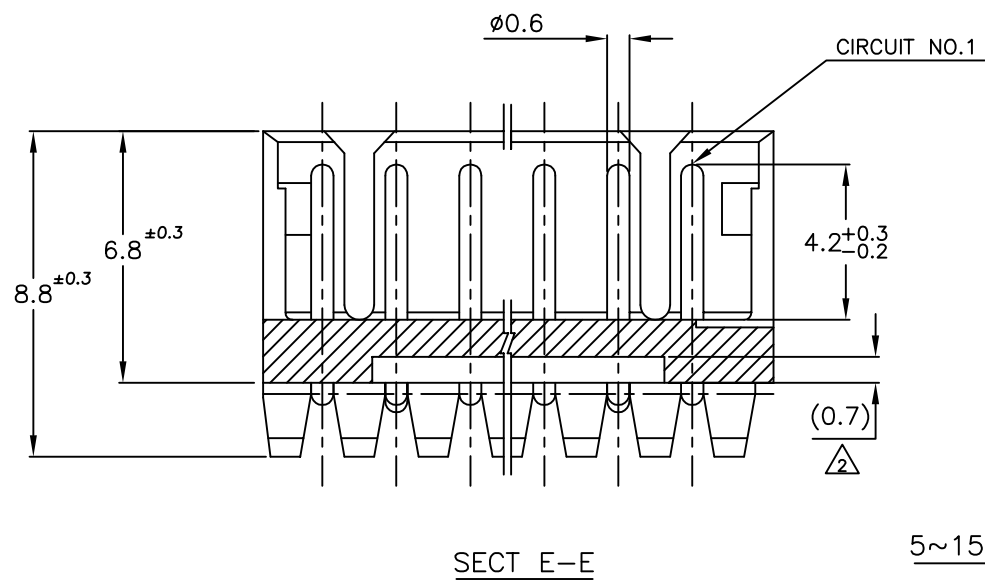
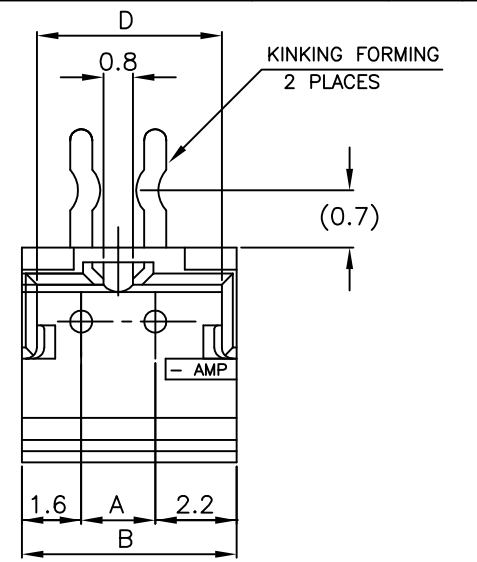
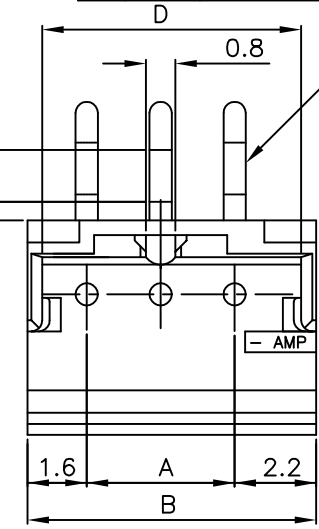
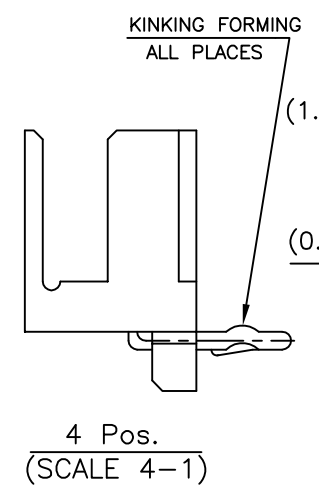
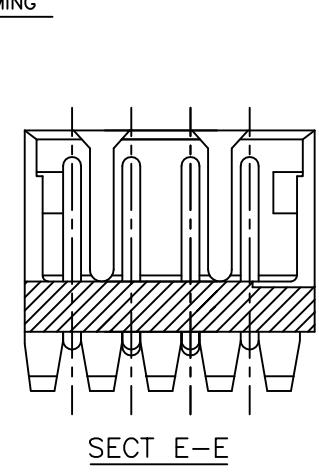
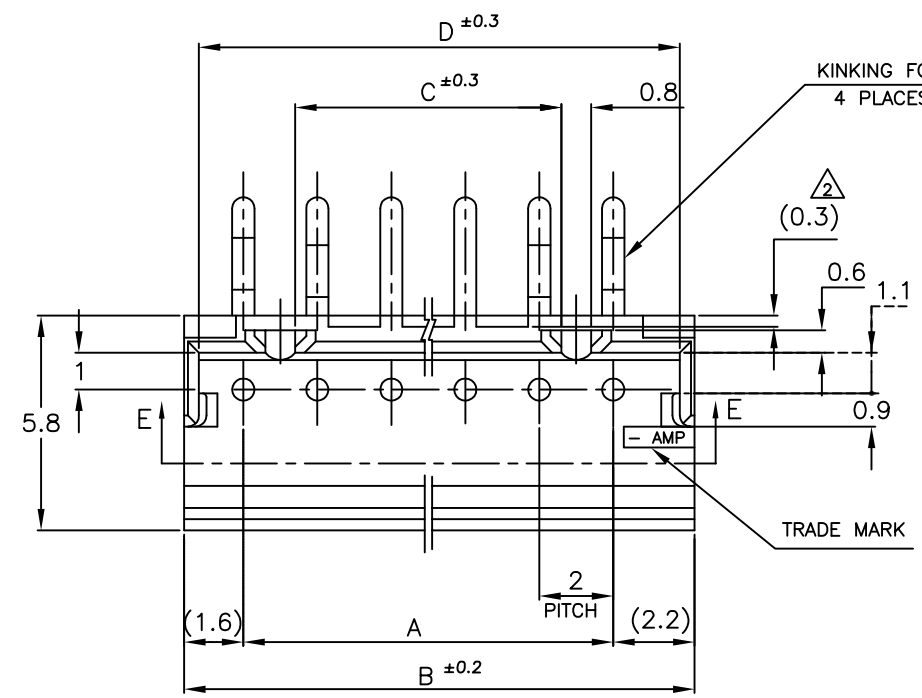


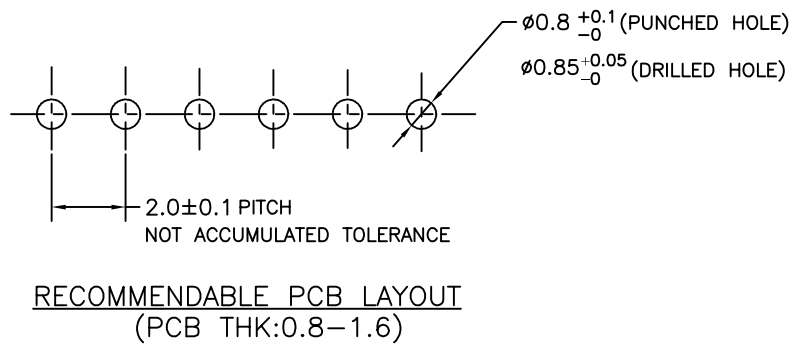
THIS DRAWING IS UNPUBLISHED. RELEASED FOR PUBLICATION  
 © COPYRIGHT - By - ALL RIGHTS RESERVED.

LOC	DIST	REVISIONS		
FB	00	P	LTR	DESCRIPTION
		P1	REVISED	ECR-14-006619
				DATE
				15MAY14
				DWN
				T.Q
				APVD
				W.H



7-292250-5	5-292250-5	3-292250-5	1-292250-5	15	28	31.8	25.2	31.0
7-	4-	5-	4-	3-	4-	1-	4-	14
7-	3-	5-	3-	3-	3-	1-	3-	13
7-	2-	5-	2-	3-	2-	1-	2-	12
7-	1-	5-	1-	3-	1-	1-	1-	11
7-	0-	5-	0-	3-	0-	1-	0-	10
6-	9-	4-	9-	2-	9-	9-	16	19.8
6-	8-	4-	8-	2-	8-	8-	14	17.8
6-	7-	4-	7-	2-	7-	7-	12	15.8
6-	6-	4-	6-	2-	6-	6-	10	13.8
6-	5-	4-	5-	2-	5-	5-	8	11.8
6-	4-	4-	4-	2-	4-	4-	6	9.8
6-	3-	4-	3-	2-	3-	3-	4	7.8
6-292250-2	4-292250-2	2-292250-2	292250-2	2	2	5.8	—	5.0
BLACK	YELLOW	BLUE	NATURAL	Pos.	A	B	C	D

NOTES:  
 1. MATERIAL: HOUSING - NYLON 66 (UL94V-0)  
 POST - TIN BRASS  
 △ 12 POS ~ 15 POS ONLY



THIS DRAWING IS A CONTROLLED DOCUMENT.

DWN	S.XU	31JAN03
CHK	S.YAO	31JAN03
APVD	T. SAKAKI	31JAN03
PRODUCT SPEC	108-60016	
APPLICATION SPEC		
WEIGHT		
CUSTOMER DRAWING		

TE Connectivity

POST HEADER ASS'Y BOX-H DIP  
(AMP CT CONNECTOR 2mm PITCH)

SIZE	CAGE CODE	DRAWING NO	RESTRICTED TO
A3	00779	C=292250	—

SCALE 5:1 SHEET 1 OF 1 REV P1