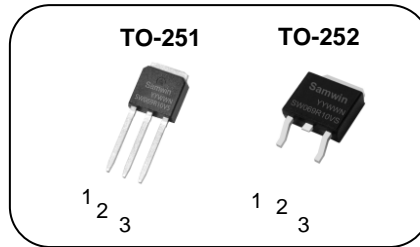


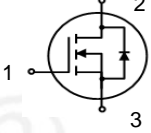
N-channel Enhanced mode TO-251/TO-252 MOSFET

Features

- High ruggedness
- Low $R_{DS(ON)}$ (Typ 9.0mΩ) @ $V_{GS}=4.5V$
Low $R_{DS(ON)}$ (Typ 7.1mΩ) @ $V_{GS}=10V$
- Low Gate Charge (Typ 45nC)
- Improved dv/dt Capability
- 100% Avalanche Tested
- Application: Li Battery Protect Board, Synchronous Rectification, Inverter



1.Gate 2.Drain 3.Source

BV_{DSS} : 100V
I_D : 70A
$R_{DS(ON)}$: 9.0mΩ @ $V_{GS}=4.5V$ 7.1mΩ @ $V_{GS}=10V$


General Description

This power MOSFET is produced with advanced technology of SAMWIN. This technology enable the power MOSFET to have better characteristics, including fast switching time, low on resistance, low gate charge and especially excellent avalanche characteristics.



Order Codes

Item	Sales Type	Marking	Package	Packaging
1	SW I 069R10VS	SW069R10VS	TO-251	TUBE
2	SW D 069R10VS	SW069R10VS	TO-252	REEL

Absolute maximum ratings

Symbol	Parameter	Value		Unit
		TO-251	TO-252	
V_{DSS}	Drain to source voltage	100		V
I_D	Continuous drain current (@ $T_C=25^{\circ}C$)	70*		A
	Continuous drain current (@ $T_C=100^{\circ}C$)	56*		A
I_{DM}	Drain current pulsed (note 1)	280		A
V_{GS}	Gate to source voltage	±20		V
E_{AS}	Single pulsed avalanche energy (note 2)	277		mJ
E_{AR}	Repetitive avalanche energy (note 1)	18		mJ
dv/dt	Peak diode recovery dv/dt (note 3)	5		V/ns
P_D	Total power dissipation (@ $T_C=25^{\circ}C$)	158		W
	Derating factor above 25°C	1.3		W/°C
T_{STG}, T_J	Operating junction temperature & storage temperature	-55 ~ + 150		°C
T_L	Maximum lead temperature for soldering purpose, 1/8 from case for 5 seconds.	300		°C

*. Drain current is limited by junction temperature.

Thermal characteristics

Symbol	Parameter	Value		Unit
		TO-251	TO-252	
R_{thjc}	Thermal resistance, Junction to case	0.79		°C/W
R_{thja}	Thermal resistance, Junction to ambient	74		°C/W

Electrical characteristic ($T_J = 25^\circ\text{C}$ unless otherwise specified)

Symbol	Parameter	Test conditions	Min.	Typ.	Max.	Unit
Off characteristics						
BV_{DSS}	Drain to source breakdown voltage	$V_{GS}=0V, I_D=250\mu A$	100			V
$\Delta BV_{DSS} / \Delta T_J$	Breakdown voltage temperature coefficient	$I_D=250\mu A$, referenced to 25°C		0.05		V/ $^\circ\text{C}$
I_{DSS}	Drain to source leakage current	$V_{DS}=100V, V_{GS}=0V$			1	μA
		$V_{DS}=80V, T_J=125^\circ\text{C}$			50	μA
I_{GSS}	Gate to source leakage current, forward	$V_{GS}=20V, V_{DS}=0V$			100	nA
	Gate to source leakage current, reverse	$V_{GS}=-20V, V_{DS}=0V$			-100	nA
On characteristics						
$V_{GS(TH)}$	Gate threshold voltage	$V_{DS}=V_{GS}, I_D=250\mu A$	1.5		2.5	V
$R_{DS(ON)}$	Drain to source on state resistance	$V_{GS}=4.5V, I_D=35A, T_J=25^\circ\text{C}$		9.0	11	m Ω
		$V_{GS}=10V, I_D=35A, T_J=25^\circ\text{C}$		7.1	8.9	m Ω
		$V_{GS}=10V, I_D=35A, T_J=125^\circ\text{C}$		10.6		m Ω
G_{fs}	Forward transconductance	$V_{DS}=8V, I_D=35A$		97		S
Dynamic characteristics						
C_{ISS}	Input capacitance	$V_{GS}=0V, V_{DS}=50V, f=1\text{MHz}$		3041		pF
C_{OSS}	Output capacitance			494		
C_{RSS}	Reverse transfer capacitance			11		
$t_{d(on)}$	Turn on delay time	$V_{DS}=50V, I_D=30A, R_G=4.7\Omega, V_{GS}=10V$ (note 4,5)		14		ns
t_r	Rising time			33		
$t_{d(off)}$	Turn off delay time			45		
t_f	Fall time			14		
Q_g	Total gate charge	$V_{DS}=80V, V_{GS}=10V, I_D=30A, I_g=6.5\text{mA}$ (note 4,5)		45		nC
Q_{gs}	Gate-source charge			8.9		
Q_{gd}	Gate-drain charge			9.1		
R_g	Gate resistance	$V_{DS}=0V$, Scan F mode		1.5		Ω

Source to drain diode ratings characteristics

Symbol	Parameter	Test conditions	Min.	Typ.	Max.	Unit
I_S	Continuous source current	Integral reverse p-n Junction diode in the MOSFET			70	A
I_{SM}	Pulsed source current				280	A
V_{SD}	Diode forward voltage drop.	$I_S=70A, V_{GS}=0V$			1.4	V
t_{rr}	Reverse recovery time	$I_S=30A, V_{GS}=0V, di_f/dt=100A/\mu s$		70		ns
Q_{rr}	Reverse recovery charge			106		nC

※. Notes

1. Repeitative rating : pulse width limited by junction temperature.
2. $L=0.96\text{mH}, I_{AS}=24A, V_{DD}=50V, R_G=25\Omega$, Starting $T_J=25^\circ\text{C}$
3. $I_{SD} \leq 30A, di/dt = 100A/\mu s, V_{DD} \leq BV_{DSS}$, Starting $T_J=25^\circ\text{C}$
4. Pulse Test : Pulse Width $\leq 300\mu s$, duty cycle $\leq 2\%$.
5. Essentially independent of operating temperature.

Fig. 1. On-state characteristics

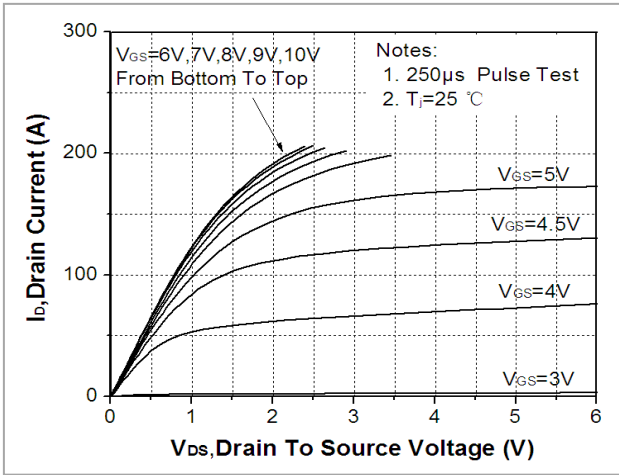


Fig. 2. Transfer characteristics

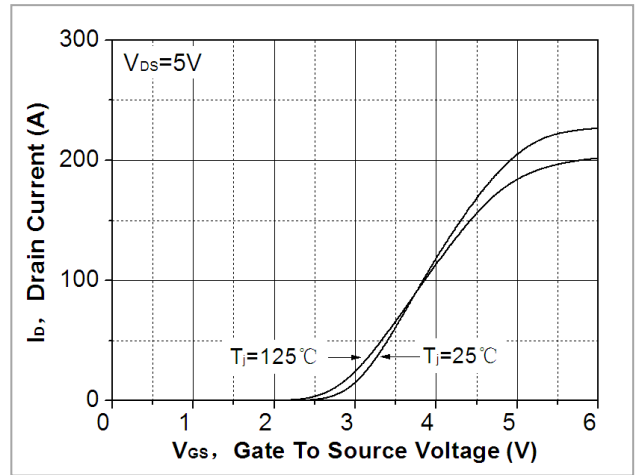


Fig. 3. On-resistance variation vs. drain current and gate voltage

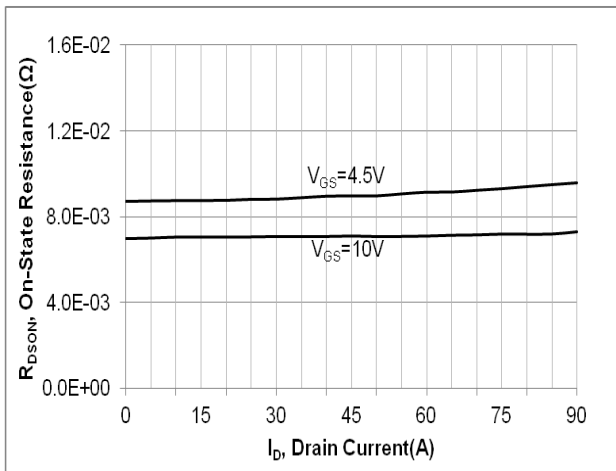


Fig. 4. On-state current vs. diode forward voltage

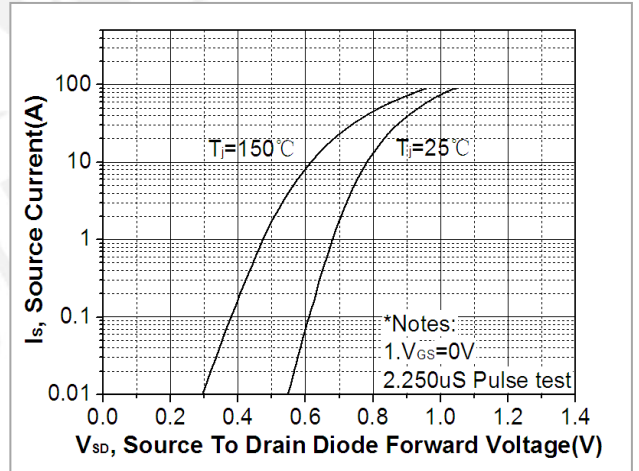


Fig 5. Breakdown voltage variation vs. junction temperature

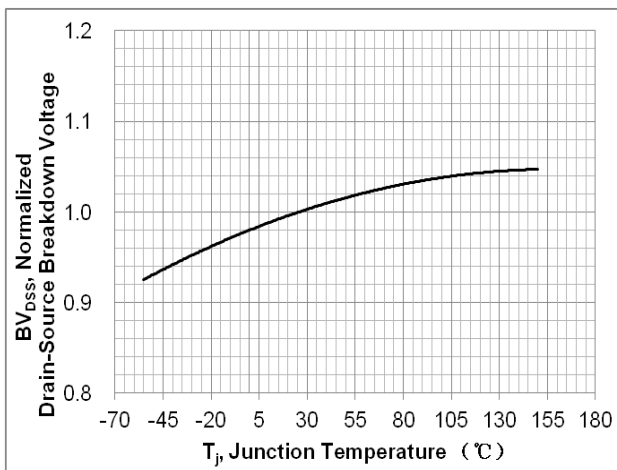


Fig. 6. On-resistance variation vs. junction temperature

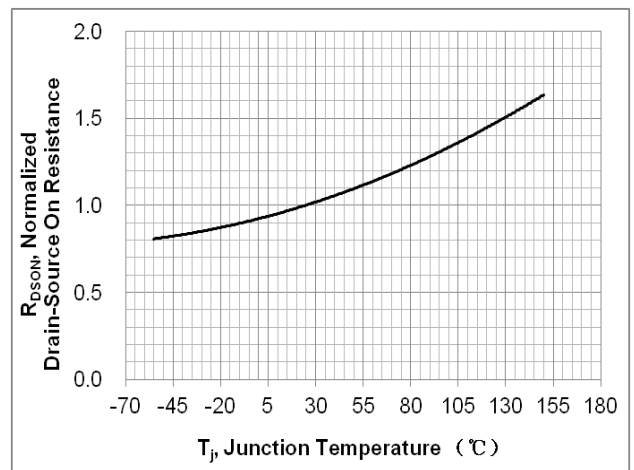


Fig. 7. Gate charge characteristics

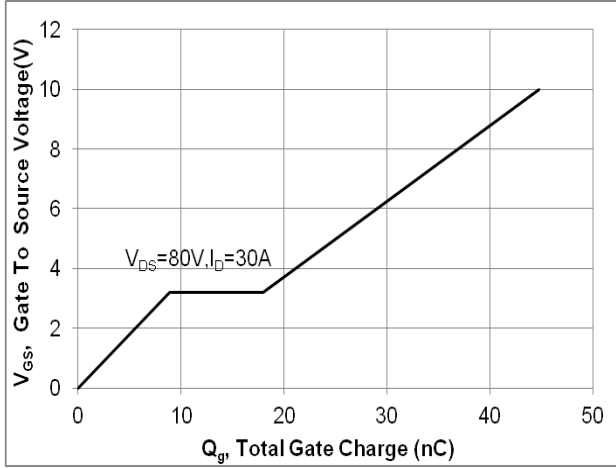


Fig. 8. Capacitance Characteristics

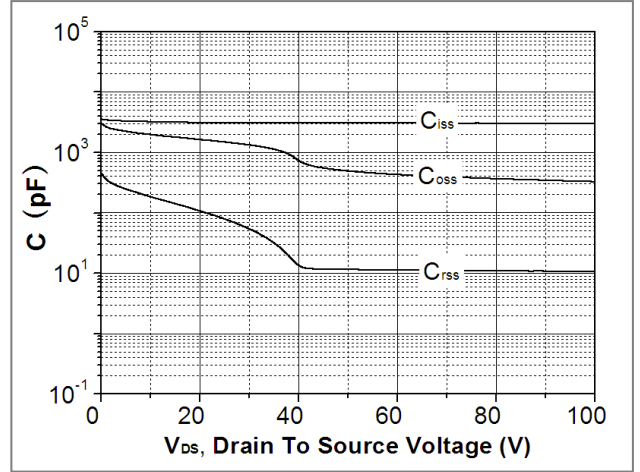


Fig. 9. Maximum safe operating area (TO-251&TO-252)

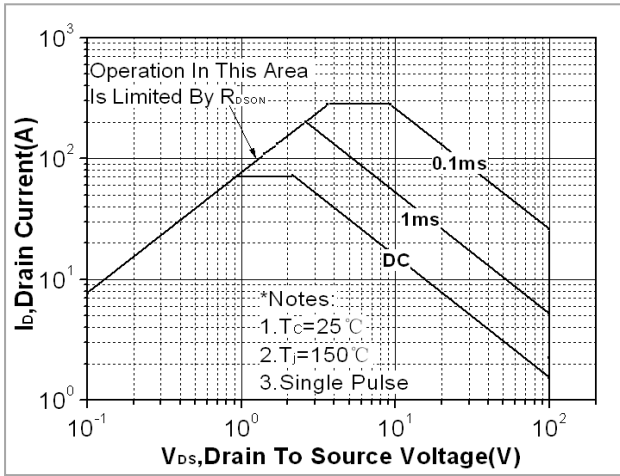


Fig. 10. Maximum drain current vs. case temperature (TO-251&TO-252)

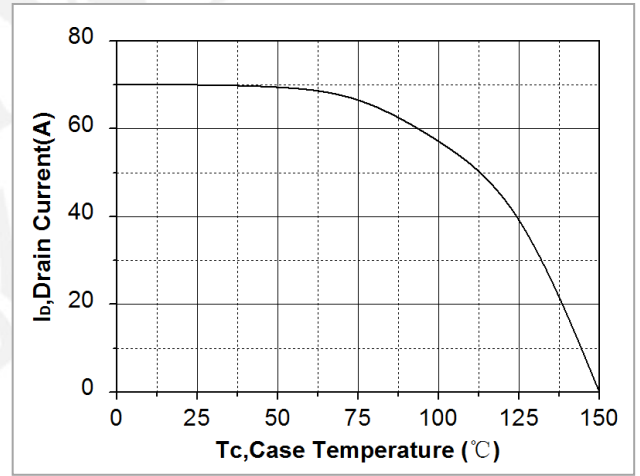


Fig. 11. Transient thermal response curve (TO-251/TO-252)

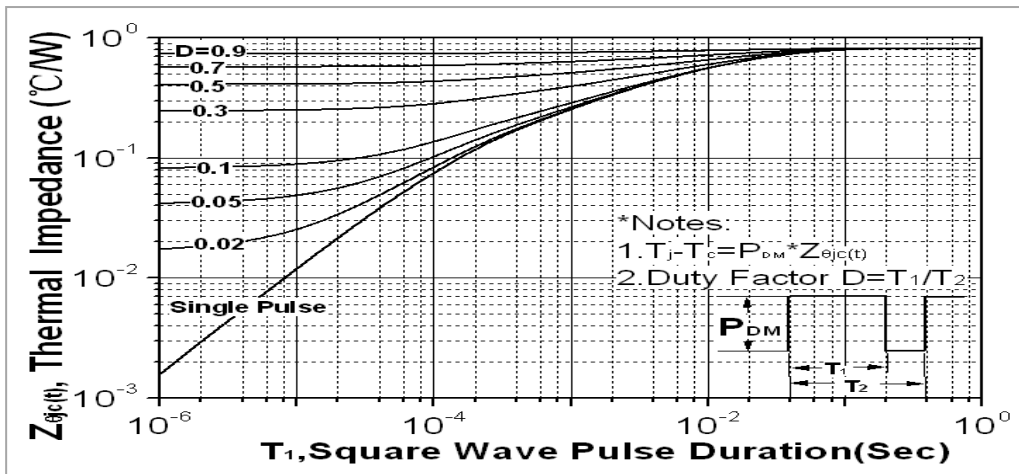


Fig. 12. Gate charge test circuit & waveform

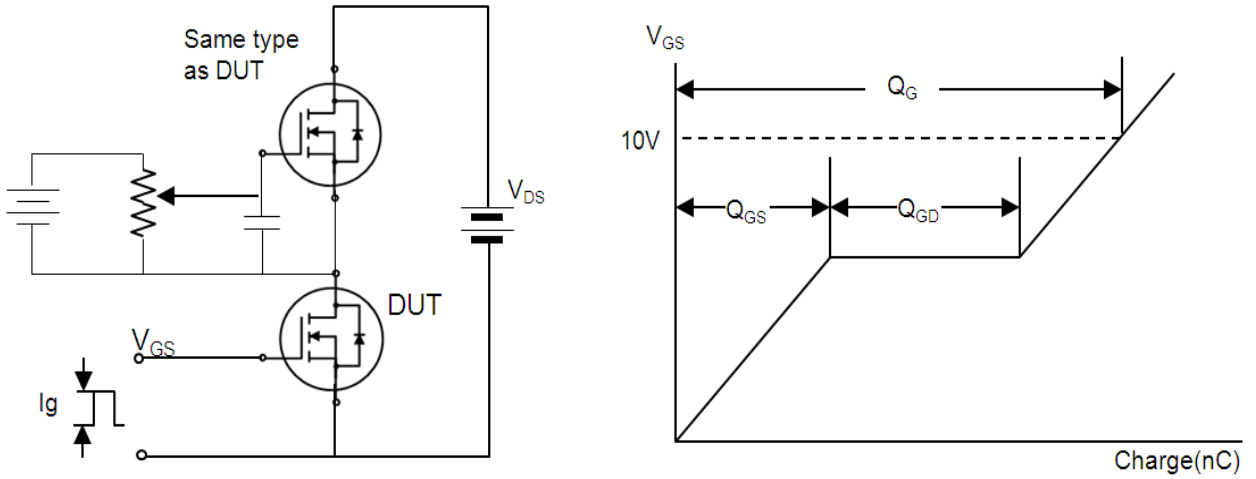


Fig. 13. Switching time test circuit & waveform

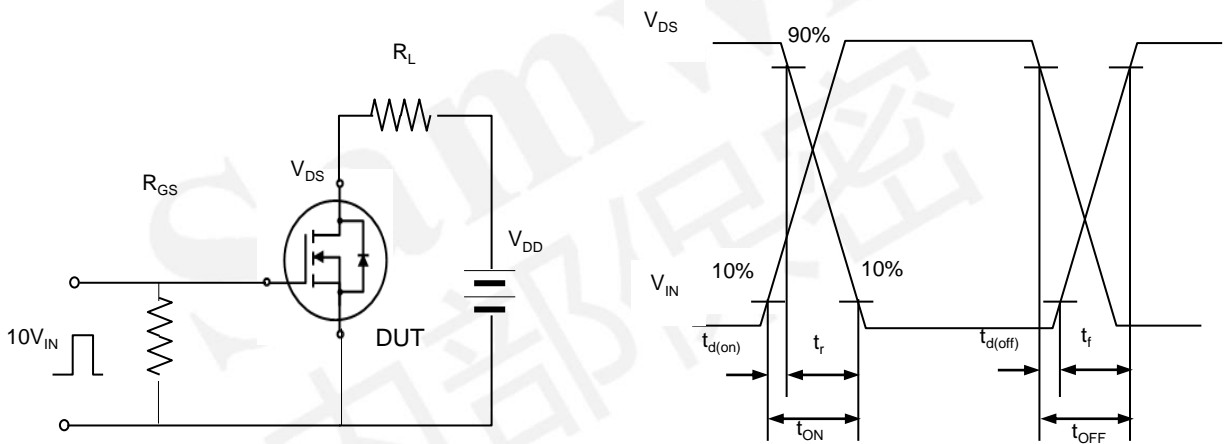


Fig. 14. Unclamped Inductive switching test circuit & waveform

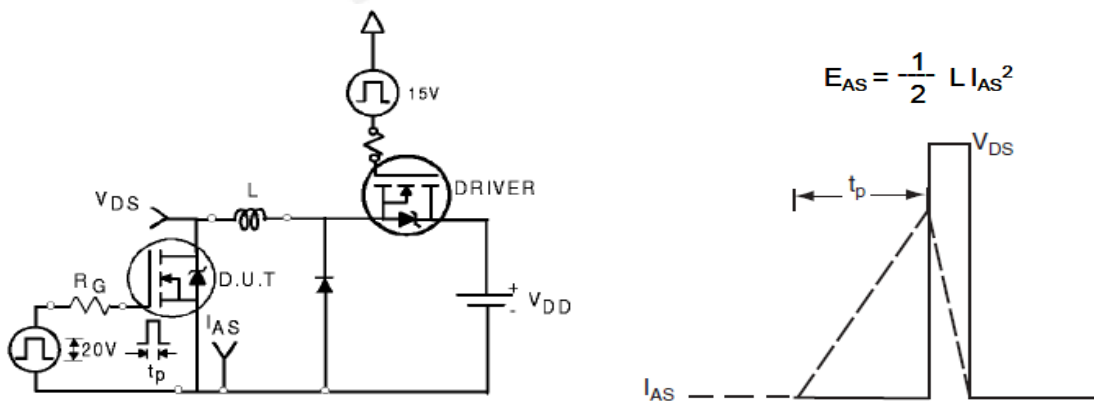
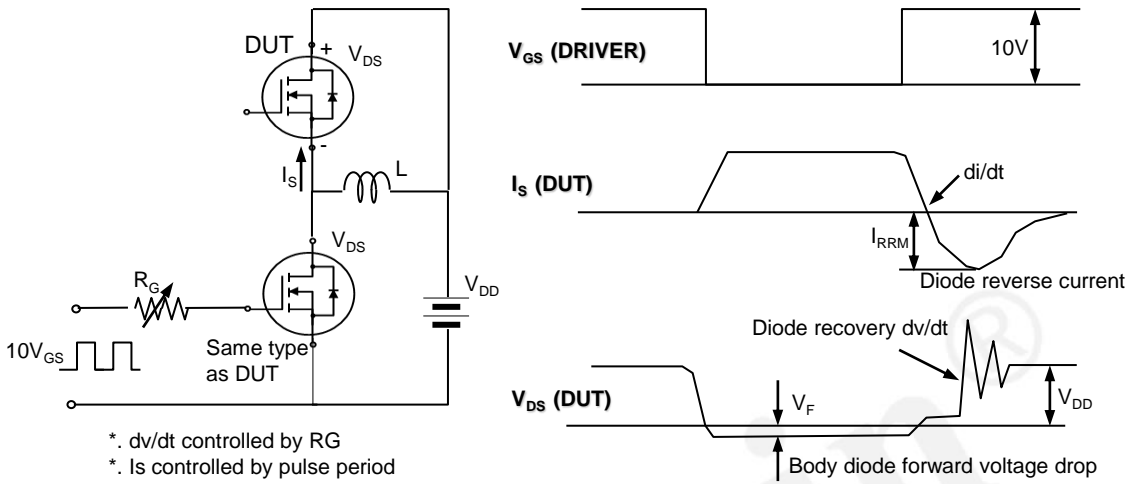



Fig. 15. Peak diode recovery dv/dt test circuit & waveform



DISCLAIMER

- * All the data & curve in this document was tested in SEMIPOWER TESTING & APPLICATION CENTER.
- * This product has passed the PCT,TC,HTRB,HTGB,HAST,PC and Solderdunk reliability testing.
- * Qualification standards can also be found on the Web site (<http://www.semipower.com.cn>) 
- * Suggestions for improvement are appreciated, Please send your suggestions to samwin@samwinsemi.com