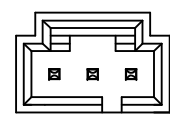
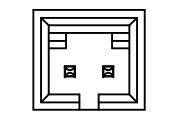
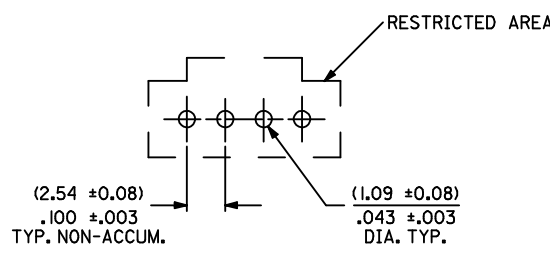
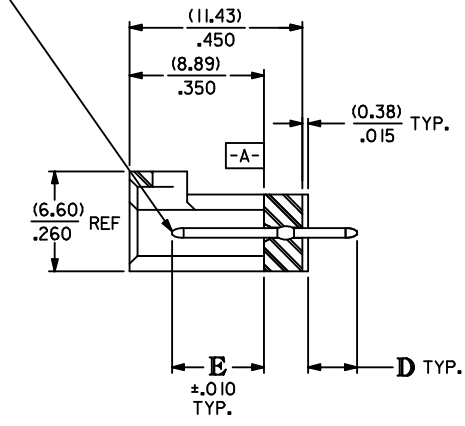
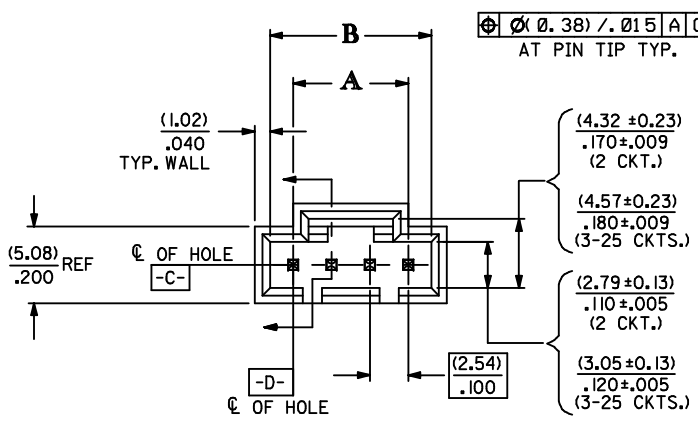


| CKT. SIZE | DIM. "A" | | DIM. "B" | |
|-----------|----------|-------|----------|-------|
| | MM | IN. | MM | IN. |
| 2 | 2.54 | .100 | 5.33 | .210 |
| 3 | 5.08 | .200 | 8.13 | .320 |
| 4 | 7.62 | .300 | 10.67 | .420 |
| 5 | 10.16 | .400 | 13.21 | .520 |
| 6 | 12.70 | .500 | 15.75 | .620 |
| 7 | 15.24 | .600 | 18.29 | .720 |
| 8 | 17.78 | .700 | 20.83 | .820 |
| 9 | 20.32 | .800 | 23.37 | .920 |
| 10 | 22.86 | .900 | 25.91 | 1.020 |
| 11 | 25.40 | 1.000 | 28.45 | 1.120 |
| 12 | 27.94 | 1.100 | 30.99 | 1.220 |
| 13 | 30.48 | 1.200 | 33.53 | 1.320 |
| 14 | 33.02 | 1.300 | 36.07 | 1.420 |
| 15 | 35.56 | 1.400 | 38.61 | 1.520 |
| 16 | 38.10 | 1.500 | 41.15 | 1.620 |
| 17 | 40.64 | 1.600 | 43.69 | 1.720 |
| 18 | 43.18 | 1.700 | 46.23 | 1.820 |
| 19 | 45.72 | 1.800 | 48.77 | 1.920 |
| 20 | 48.26 | 1.900 | 51.31 | 2.020 |
| 21 | 50.80 | 2.000 | 53.85 | 2.120 |
| 22 | 53.34 | 2.100 | 56.39 | 2.220 |
| 23 | 55.88 | 2.200 | 58.93 | 2.320 |
| 24 | 58.42 | 2.300 | 61.47 | 2.420 |
| 25 | 60.96 | 2.400 | 64.01 | 2.520 |



RECOMMENDED PC BOARD LAYOUT
(FOR USE WITH (1.57)/.062 THICK BOARD)

- NOTES:
- HEADER MATERIAL: GLASS FILLED POLYESTER; UL 94V-0; COLOR: BLACK
 - PIN MATERIAL: PHOSPHOR BRONZE
 - FINISHES:
BRIGHT TIN - 3.81 MICROMETERS/150 MICROINCHES MINIMUM BRIGHT TIN PLATE OVER NICKEL UNDERPLATE OVERALL
MATTE TIN - 3.81 MICROMETERS/150 MICROINCHES MINIMUM MATTE TIN PLATE OVER NICKEL UNDERPLATE OVERALL
15 GOLD - 0.38 MICROMETERS/15 MICROINCHES MINIMUM GOLD PLATE IN MATE AREA 1.91 MICROMETERS/75 MICROINCHES MINIMUM MATTE TIN PLATE IN PC TAIL AREA OVER NICKEL UNDERPLATE OVERALL
30 GOLD - 0.76 MICROMETERS/30 MICROINCHES MINIMUM GOLD PLATE IN MATE AREA 1.91 MICROMETERS/75 MICROINCHES MINIMUM MATTE TIN PLATE IN PC TAIL AREA OVER NICKEL UNDERPLATE OVERALL
 - REFER TO MOLEX PRODUCT SPECIFICATION PS-70541
 - PACKAGING SPECIFICATION: SEE CHARTS
 - HEADER TO BE USED WITH OPTION "G" 70400 AND 70430 SERIES SL CONNECTORS
 - PARTS CONFORM TO CLASS B REQUIREMENTS OF COSMETIC SPECIFICATION PS-45499-002.

| | | | | | | | | | |
|---|--------------------------------------|--|--|---|--|---------------------------|----------------------|--------------------------------|---------------------|
| ADD 74053-0338 E.C. NO: UCP2016-3086 DRWING: PPR 2016/02/04 CHKD: JDFX 2012/02/04 APPR: FSM/TH 2016/03/10 | QUALITY SYMBOLS ▽=0 ▽=0 ▽=0 | GENERAL TOLERANCES (UNLESS SPECIFIED) | | DIMENSION STYLE MM/IN | | SCALE 4:1 | DESIGN UNITS INCH | THIRD ANGLE PROJECTION | |
| | | 4 PLACES ± --- ± --- 3 PLACES ± --- ± .005 2 PLACES ± 0.13 ± .010 1 PLACE ± 0.25 ± --- 0 PLACE ± --- ± --- | mm INCH DRAWN BY AAB 1987/09/22 CHECKED BY MJM 1987/09/22 APPROVED BY WAZ 1987/09/22 | TITLE SALES ASSY, SL VERTICAL HEADER W/LATCH & NO PEGS (2.54)/.100 CENTERS | | MATERIAL NO. SEE TABLE | | DOCUMENT NO. SDA-70543-**** | SHEET NO. 1 OF 4 |
| DRAFT WHERE APPLICABLE MUST REMAIN WITHIN DIMENSIONS | | THIS DRAWING CONTAINS INFORMATION THAT IS PROPRIETARY TO MOLEX. INCORPORATED AND SHOULD NOT BE USED WITHOUT WRITTEN PERMISSION | | | | | | | |

| CIRCUIT SIZE | ENGINEERING NUMBER 70543 | D REF | E ±0.25/.010 | MATING AREA FINISH | PC TAIL AREA FINISH | PACKAGING: |
|--------------|--------------------------|----------------|----------------|--------------------|---------------------|-------------------------------------|
| 2-25 | -0001-0024 | (3.30) .130 | (6.10) .240 | 15 GOLD | MATTE TIN | PK-70873-0014 (TUBE W/O P&P CAP) |
| 2-25 | -0036-0059 | (3.30) .130 | (6.10) .240 | BRIGHT TIN | BRIGHT TIN | PK-70873-0014 (TUBE W/O P&P CAP) |
| 2-25 | -0071-0094 | (3.81) .150 | (6.10) .240 | BRIGHT TIN | BRIGHT TIN | PK-70873-0014 (TUBE W/O P&P CAP) |
| 2-25 | -0106-0129 | (3.30) .130 | (6.10) .240 | 30 GOLD | MATTE TIN | PK-70873-0014 (TUBE W/O P&P CAP) |
| 2-25 | -0141-0164 | (2.54) .100 | (6.10) .240 | 15 GOLD | MATTE TIN | PK-70873-0014 (TUBE W/O P&P CAP) |
| 2-25 | -0165-0188 | (3.81) .150 | (6.10) .240 | 30 GOLD | MATTE TIN | PK-70873-0014 (TUBE W/O P&P CAP) |
| 2-25 | -0200-0223 | (3.81) .150 | (6.10) .240 | 15 GOLD | MATTE TIN | PK-70873-0014 (TUBE W/O P&P CAP) |

| CIRCUIT SIZE | ITEM NUMBER | ITEM NUMBER | ITEM NUMBER | ITEM NUMBER | ITEM NUMBER | ITEM NUMBER | ITEM NUMBER |
|--------------|-------------|-------------|-------------|-------------|-------------|-------------|-------------|
| 2 | 70543-0001 | 70543-0036 | 70543-0071 | 70543-0106 | 70543-0141 | 70543-0165 | 70543-0200 |
| 3 | 70543-0002 | 70543-0037 | 70543-0072 | 70543-0107 | 70543-0142 | 70543-0166 | 70543-0201 |
| 4 | 70543-0003 | 70543-0038 | 70543-0073 | 70543-0108 | 70543-0143 | 70543-0167 | 70543-0202 |
| 5 | 70543-0004 | 70543-0039 | 70543-0074 | 70543-0109 | 70543-0144 | 70543-0168 | 70543-0203 |
| 6 | 70543-0005 | 70543-0040 | 70543-0075 | 70543-0110 | 70543-0145 | 70543-0169 | 70543-0204 |
| 7 | 70543-0006 | 70543-0041 | 70543-0076 | 70543-0111 | 70543-0146 | 70543-0170 | 70543-0205 |
| 8 | 70543-0007 | 70543-0042 | 70543-0077 | 70543-0112 | 70543-0147 | 70543-0171 | 70543-0206 |
| 9 | 70543-0008 | 70543-0043 | 70543-0078 | 70543-0113 | 70543-0148 | 70543-0172 | 70543-0207 |
| 10 | 70543-0009 | 70543-0044 | 70543-0079 | 70543-0114 | 70543-0149 | 70543-0173 | 70543-0208 |
| 11 | 70543-0010 | 70543-0045 | 70543-0080 | 70543-0115 | 70543-0150 | 70543-0174 | 70543-0209 |
| 12 | 70543-0011 | 70543-0046 | 70543-0081 | 70543-0116 | 70543-0151 | 70543-0175 | 70543-0210 |
| 13 | 70543-0012 | 70543-0047 | 70543-0082 | 70543-0117 | 70543-0152 | 70543-0176 | 70543-0211 |
| 14 | 70543-0013 | 70543-0048 | 70543-0083 | 70543-0118 | 70543-0153 | 70543-0177 | 70543-0212 |
| 15 | 70543-0014 | 70543-0049 | 70543-0084 | 70543-0119 | 70543-0154 | 70543-0178 | 70543-0213 |
| 16 | 70543-0015 | 70543-0050 | 70543-0085 | 70543-0120 | 70543-0155 | 70543-0179 | 70543-0214 |
| 17 | 70543-0016 | 70543-0051 | 70543-0086 | 70543-0121 | 70543-0156 | 70543-0180 | 70543-0215 |
| 18 | 70543-0017 | 70543-0052 | 70543-0087 | 70543-0122 | 70543-0157 | 70543-0181 | 70543-0216 |
| 19 | 70543-0018 | 70543-0053 | 70543-0088 | 70543-0123 | 70543-0158 | 70543-0182 | 70543-0217 |
| 20 | 70543-0019 | 70543-0054 | 70543-0089 | 70543-0124 | 70543-0159 | 70543-0183 | 70543-0218 |
| 21 | 70543-0020 | 70543-0055 | 70543-0090 | 70543-0125 | 70543-0160 | 70543-0184 | 70543-0219 |
| 22 | 70543-0021 | 70543-0056 | 70543-0091 | 70543-0126 | 70543-0161 | 70543-0185 | 70543-0220 |
| 23 | 70543-0022 | 70543-0057 | 70543-0092 | 70543-0127 | 70543-0162 | 70543-0186 | 70543-0221 |
| 24 | 70543-0023 | 70543-0058 | 70543-0093 | 70543-0128 | 70543-0163 | 70543-0187 | 70543-0222 |
| 25 | 70543-0024 | 70543-0059 | 70543-0094 | 70543-0129 | 70543-0164 | 70543-0188 | 70543-0223 |

| | | | | | | | | | |
|---|---------------------|--|--|------------------------------------|--|---|----------------------|------------------------|--|
| SEE SHEET 1 EC NO: UCP2016-3086 DRWING: IPPER 2016/02/04 CHKD: JFOX 2012/02/04 APPR: FSM/TH 2016/03/10 | QUALITY SYMBOLS | GENERAL TOLERANCES (UNLESS SPECIFIED) | | DIMENSION STYLE MM/IN | | SCALE 1:1 | DESIGN UNITS INCH | THIRD ANGLE PROJECTION | |
| | | | | DRAWN BY DATE AAB 1987/09/22 | | TITLE SALES ASSY, SL VERTICAL HEADER W/LATCH & NO PEGS (2.54)/.100 CENTERS | | | |
| | | | | CHECKED BY DATE MJM 1987/09/22 | | | | | |
| | | | | APPROVED BY DATE WAZ 1987/09/22 | | MATERIAL NO. | | DOCUMENT NO. | |
| | | ANGULAR ±1/2° | | SEE TABLE | | SDA-70543-**** | | 2 OF 4 | |
| | | DRAFT WHERE APPLICABLE MUST REMAIN WITHIN DIMENSIONS | | SIZE C | | THIS DRAWING CONTAINS INFORMATION THAT IS PROPRIETARY TO MOLEX INCORPORATED AND SHOULD NOT BE USED WITHOUT WRITTEN PERMISSION | | | |

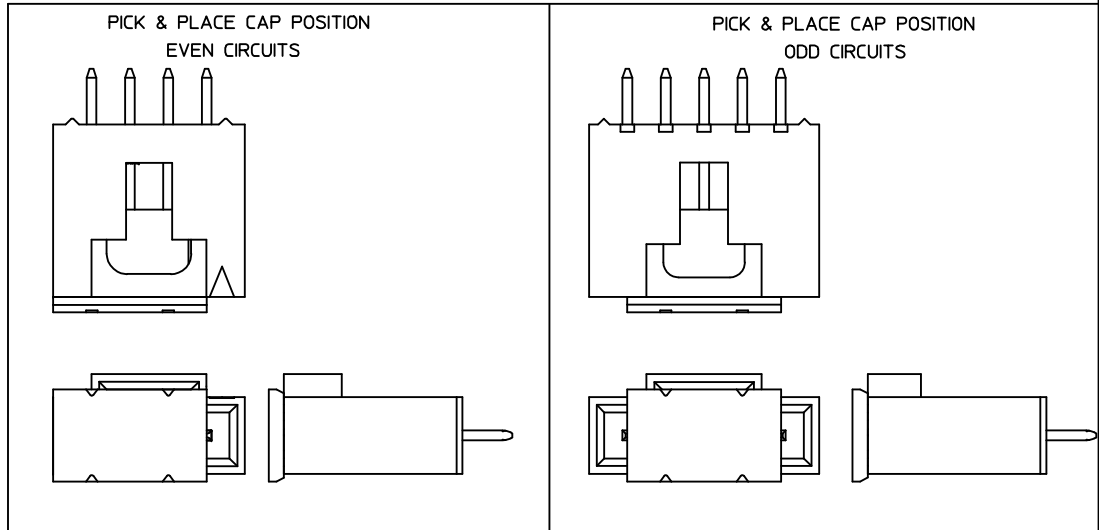
| CIRCUIT SIZE | ENGINEERING NUMBER 70543 | D REF | E ±0.25/.010 | MATING AREA FINISH | PC TAIL AREA FINISH | PACKAGING: |
|--------------|-----------------------------|----------------|-----------------|--------------------|---------------------|-------------------------------------|
| 2-25 | -0248-0271 | (4.06) .160 | (6.10) .240 | BRIGHT TIN | BRIGHT TIN | PK-70873-0014 (TUBE W/O P&P CAP) |
| 2-25 | -0272-0295 | (4.06) .160 | (6.10) .240 | 15 GOLD | MATTE TIN | PK-70873-0014 (TUBE W/O P&P CAP) |
| 2-25 | -0296-0319 | (4.06) .160 | (6.10) .240 | 30 GOLD | MATTE TIN | PK-70873-0014 (TUBE W/O P&P CAP) |
| 2-25 | -4036-4059 | (3.30) .130 | (6.10) .240 | MATTE TIN | MATTE TIN | PK-70873-0014 (TUBE W/O P&P CAP) |
| | | | | | | |
| | | | | | | |

| CIRCUIT SIZE | ITEM NUMBER | ITEM NUMBER | ITEM NUMBER | ITEM NUMBER | ITEM NUMBER | ITEM NUMBER | ITEM NUMBER |
|--------------|-------------|-------------|-------------|-------------|-------------|-------------|-------------|
| 2 | 70543-0248 | 70543-0272 | 70543-0296 | 70543-4036 | | | |
| 3 | 70543-0249 | 70543-0273 | 70543-0297 | 70543-4037 | | | |
| 4 | 70543-0250 | 70543-0274 | 70543-0298 | 70543-4038 | | | |
| 5 | 70543-0251 | 70543-0275 | 70543-0299 | 70543-4039 | | | |
| 6 | 70543-0252 | 70543-0276 | 70543-0300 | 70543-4040 | | | |
| 7 | 70543-0253 | 70543-0277 | 70543-0301 | 70543-4041 | | | |
| 8 | 70543-0254 | 70543-0278 | 70543-0302 | 70543-4042 | | | |
| 9 | 70543-0255 | 70543-0279 | 70543-0303 | 70543-4043 | | | |
| 10 | 70543-0256 | 70543-0280 | 70543-0304 | 70543-4044 | | | |
| 11 | 70543-0257 | 70543-0281 | 70543-0305 | 70543-4045 | | | |
| 12 | 70543-0258 | 70543-0282 | 70543-0306 | 70543-4046 | | | |
| 13 | 70543-0259 | 70543-0283 | 70543-0307 | 70543-4047 | | | |
| 14 | 70543-0260 | 70543-0284 | 70543-0308 | 70543-4048 | | | |
| 15 | 70543-0261 | 70543-0285 | 70543-0309 | 70543-4049 | | | |
| 16 | 70543-0262 | 70543-0286 | 70543-0310 | 70543-4050 | | | |
| 17 | 70543-0263 | 70543-0287 | 70543-0311 | 70543-4051 | | | |
| 18 | 70543-0264 | 70543-0288 | 70543-0312 | 70543-4052 | | | |
| 19 | 70543-0265 | 70543-0289 | 70543-0313 | 70543-4053 | | | |
| 20 | 70543-0266 | 70543-0290 | 70543-0314 | 70543-4054 | | | |
| 21 | 70543-0267 | 70543-0291 | 70543-0315 | 70543-4055 | | | |
| 22 | 70543-0268 | 70543-0292 | 70543-0316 | 70543-4056 | | | |
| 23 | 70543-0269 | 70543-0293 | 70543-0317 | 70543-4057 | | | |
| 24 | 70543-0270 | 70543-0294 | 70543-0318 | 70543-4058 | | | |
| 25 | 70543-0271 | 70543-0295 | 70543-0319 | 70543-4059 | | | |

| SEE SHEET 1 EC NO: UCP2016-3086 DRW:MK/PPER CHKD:JFOX APPR:FSM/TH | 2016/02/04 2016/02/04 2016/03/10 | DESCRIPTION REV | QUALITY SYMBOLS | GENERAL TOLERANCES (UNLESS SPECIFIED) | DIMENSION STYLE MM/IN | SCALE 1:1 | DESIGN UNITS INCH | THIRD ANGLE PROJECTION | | | | | | | | | | | | | | | | | | | | | | | |
|--|--|--------------------|-----------------|--|--------------------------|--------------|----------------------|------------------------|----------------|--------|-----------------|--------|----------------|-------|---------------|-------|---|----------|------|-----|------------|------------|------|-----|------------|-------------|------|-----|------------|-------|--|
| | | | | <table border="1"> <tr><th>mm</th><th>INCH</th></tr> <tr><td>4 PLACES ± ---</td><td>± ---</td></tr> <tr><td>3 PLACES ± ---</td><td>± .005</td></tr> <tr><td>2 PLACES ± 0.13</td><td>± .010</td></tr> <tr><td>1 PLACE ± 0.25</td><td>± ---</td></tr> <tr><td>0 PLACE ± ---</td><td>± ---</td></tr> </table> | mm | INCH | 4 PLACES ± --- | ± --- | 3 PLACES ± --- | ± .005 | 2 PLACES ± 0.13 | ± .010 | 1 PLACE ± 0.25 | ± --- | 0 PLACE ± --- | ± --- | <table border="1"> <tr><th>DRAWN BY</th><th>DATE</th></tr> <tr><td>AAB</td><td>1987/09/22</td></tr> <tr><th>CHECKED BY</th><th>DATE</th></tr> <tr><td>MJM</td><td>1987/09/22</td></tr> <tr><th>APPROVED BY</th><th>DATE</th></tr> <tr><td>WAZ</td><td>1987/09/22</td></tr> </table> | DRAWN BY | DATE | AAB | 1987/09/22 | CHECKED BY | DATE | MJM | 1987/09/22 | APPROVED BY | DATE | WAZ | 1987/09/22 | TITLE | SALES ASSY, SL VERTICAL HEADER W/LATCH & NO PEGS (2.54)/.100 CENTERS molex DOCUMENT NO. SDA-70543-**** SHEET NO. 3 OF 4 |
| | | | mm | INCH | | | | | | | | | | | | | | | | | | | | | | | | | | | |
| | | | 4 PLACES ± --- | ± --- | | | | | | | | | | | | | | | | | | | | | | | | | | | |
| 3 PLACES ± --- | ± .005 | | | | | | | | | | | | | | | | | | | | | | | | | | | | | | |
| 2 PLACES ± 0.13 | ± .010 | | | | | | | | | | | | | | | | | | | | | | | | | | | | | | |
| 1 PLACE ± 0.25 | ± --- | | | | | | | | | | | | | | | | | | | | | | | | | | | | | | |
| 0 PLACE ± --- | ± --- | | | | | | | | | | | | | | | | | | | | | | | | | | | | | | |
| DRAWN BY | DATE | | | | | | | | | | | | | | | | | | | | | | | | | | | | | | |
| AAB | 1987/09/22 | | | | | | | | | | | | | | | | | | | | | | | | | | | | | | |
| CHECKED BY | DATE | | | | | | | | | | | | | | | | | | | | | | | | | | | | | | |
| MJM | 1987/09/22 | | | | | | | | | | | | | | | | | | | | | | | | | | | | | | |
| APPROVED BY | DATE | | | | | | | | | | | | | | | | | | | | | | | | | | | | | | |
| WAZ | 1987/09/22 | | | | | | | | | | | | | | | | | | | | | | | | | | | | | | |
| ANGULAR ±1/2° | DRAFT WHERE APPLICABLE MUST REMAIN WITHIN DIMENSIONS | SEE TABLE | | | | | | | | | | | | | | | | | | | | | | | | | | | | | |
| MATERIAL NO. | | | | | | | | | | | | | | | | | | | | | | | | | | | | | | | |
| SIZE C | | | | | | | | | | | | | | | | | | | | | | | | | | | | | | | |

| CIRCUIT SIZE | ENGINEERING NUMBER 70543 | D REF (3.30) | E ±0.25/.010 (6.10) .240 | MATING AREA FINISH BRIGHT TIN | PC TAIL AREA FINISH BRIGHT TIN | PACKAGING: 705430001-PK (TUBE WITH P&P CAP) |
|--------------|-----------------------------|-----------------|-----------------------------------|----------------------------------|-----------------------------------|---|
| 3-25 | -0337-0359 | .130 | | | | |
| | | | | | | |
| | | | | | | |

| CIRCUIT SIZE | ITEM NUMBER | ITEM NUMBER | ITEM NUMBER |
|--------------|-------------|-------------|-------------|
| 3 | | | |
| 4 | 70543-0338 | | |
| 5 | | | |
| 6 | | | |
| 7 | | | |
| 8 | | | |
| 9 | | | |
| 10 | | | |
| 11 | | | |
| 12 | | | |
| 13 | | | |
| 14 | | | |
| 15 | | | |
| 16 | | | |
| 17 | | | |
| 18 | | | |
| 19 | | | |
| 20 | | | |
| 21 | | | |
| 22 | | | |
| 23 | | | |
| 24 | | | |
| 25 | | | |



| | | | | | | | | | | | | | | | | | | | | | | | |
|---|---------------------|--|----------------------------------|---|----------------------------|----------|--------|--------|----------|--------|--------|----------|--------|--------|---------|--------|--------|---------|--------|--------|---|--|---|
| SEE SHEET 1 EC NO: UCP2016-3086 DRAWN: KIPPER 2016/02/04 CHKD: JDOX 2012/02/04 APPR: FSMITH 2016/03/10 | QUALITY SYMBOLS | GENERAL TOLERANCES (UNLESS SPECIFIED) <table border="1"> <tr> <td></td> <td>mm</td> <td>INCH</td> </tr> <tr> <td>4 PLACES</td> <td>± .---</td> <td>± .---</td> </tr> <tr> <td>3 PLACES</td> <td>± .---</td> <td>± .005</td> </tr> <tr> <td>2 PLACES</td> <td>± 0.13</td> <td>± .010</td> </tr> <tr> <td>1 PLACE</td> <td>± 0.25</td> <td>± .---</td> </tr> <tr> <td>0 PLACE</td> <td>± .---</td> <td>± .---</td> </tr> </table> | | mm | INCH | 4 PLACES | ± .--- | ± .--- | 3 PLACES | ± .--- | ± .005 | 2 PLACES | ± 0.13 | ± .010 | 1 PLACE | ± 0.25 | ± .--- | 0 PLACE | ± .--- | ± .--- | DIMENSION STYLE MM/IN DRAWN BY: AAB CHECKED BY: MJM APPROVED BY: WAZ DATE: 1987/09/22 DATE: 1987/09/22 DATE: 1987/09/22 | SCALE: 4:1 DESIGN UNITS: INCH THIRD ANGLE PROJECTION | TITLE: SALES ASSY, SL VERTICAL HEADER W/LATCH & NO PEGS (2.54)/.100 CENTERS molex |
| | | mm | INCH | | | | | | | | | | | | | | | | | | | | |
| | 4 PLACES | ± .--- | ± .--- | | | | | | | | | | | | | | | | | | | | |
| | 3 PLACES | ± .--- | ± .005 | | | | | | | | | | | | | | | | | | | | |
| 2 PLACES | ± 0.13 | ± .010 | | | | | | | | | | | | | | | | | | | | | |
| 1 PLACE | ± 0.25 | ± .--- | | | | | | | | | | | | | | | | | | | | | |
| 0 PLACE | ± .--- | ± .--- | | | | | | | | | | | | | | | | | | | | | |
| | | ANGULAR ±1/2° DRAFT WHERE APPLICABLE MUST REMAIN WITHIN DIMENSIONS | MATERIAL NO. SEE CHART | DOCUMENT NO. SDA-70543-**** | SHEET NO. 4 OF 4 | | | | | | | | | | | | | | | | | | |
| M1 | | | SIZE: | THIS DRAWING CONTAINS INFORMATION THAT IS PROPRIETARY TO MOLEX INCORPORATED AND SHOULD NOT BE USED WITHOUT WRITTEN PERMISSION | | | | | | | | | | | | | | | | | | | |
| | | | | | | | | | | | | | | | | | | | | | | | |