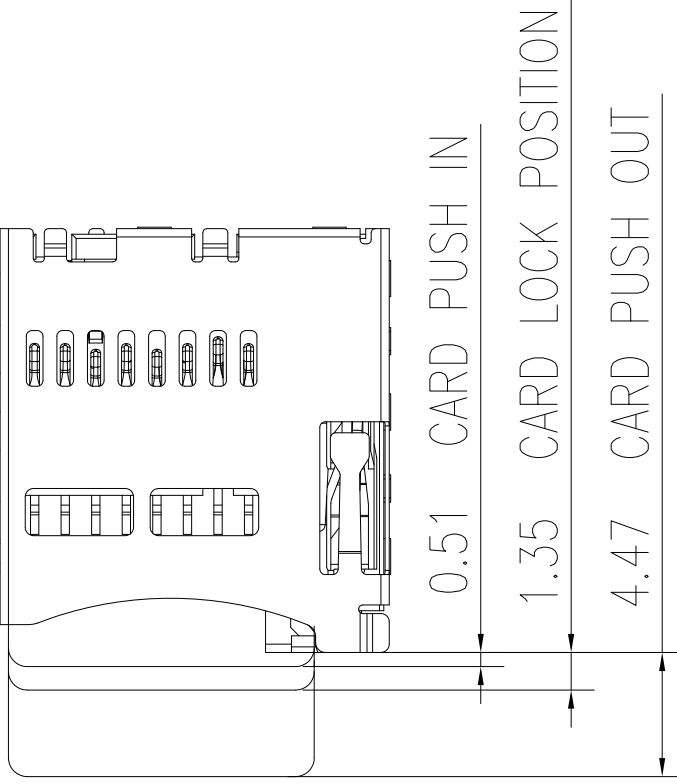


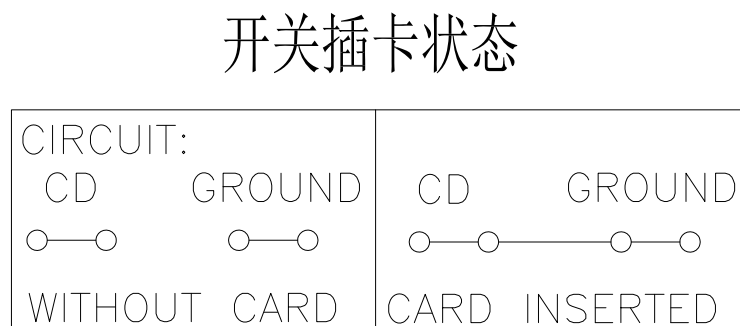
VDD SWITCH(NORMAL OPEN)
TOUCH VDD TERMINAL AT FIRST
TOUCH CARD GOLD FINGER FINAL

RECOMMEND PCB LAYOUT
GENERAL TOLERANCE ±0.05

NOTES:
1. MATERIAL:
Housing:High Temperature Thermoplastic
UL94V-0; Color Black.
Contacts: Phosphor Bronze.
Tin 80u" at Solder Tail,
Selected Gold Flash on Contact Area plating.
Shell: Stainless.
Gold Flash on Contact solder Area
Over Nickel Plating.
2.Electrical Characteristics:
Operating voltage :100v AC(rms)/DC.
Current rating :0.5 A.
Operating Temperature:-25℃~+85℃.
Insulation resistance:1000M ohms min. at 500VDC
Dielectric withstanding voltage :500 VAC/1minute.
Contact resistance:100m ohms max.



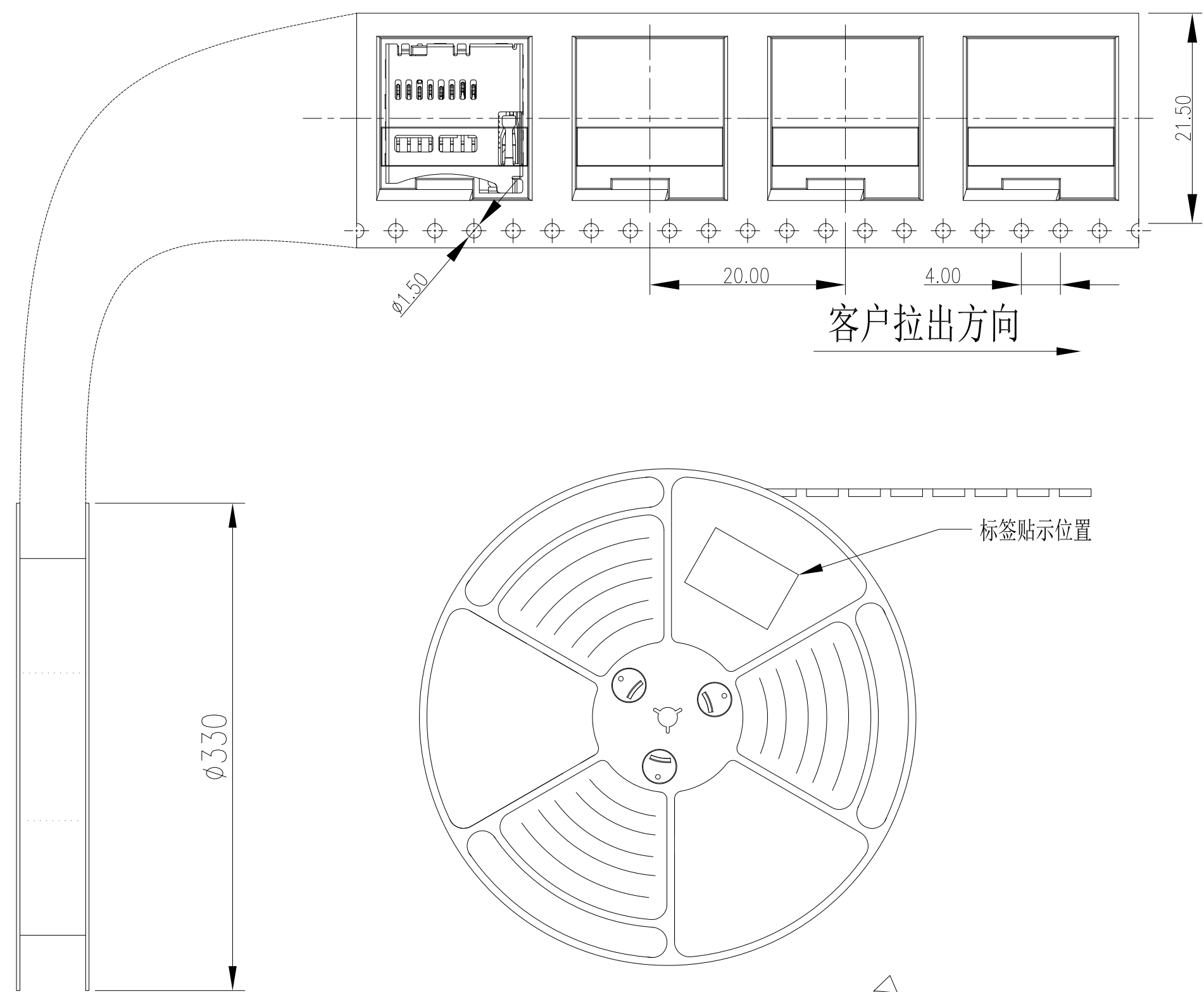
Pin No.	MICRO SD
PIN1	DAT2 1P
PIN2	CD/DAT3 2P
PIN3	CMD 3P
PIN4	VDD 4P
PIN5	CLK 5P
PIN6	VSS 6P
PIN7	DAT0 7P
PIN8	DAT1 8P
PIN9	CARD DETECT



深圳市台华达科技有限公司
SHEN ZHEN SHI THD ELECTRONICS CO., LTD.

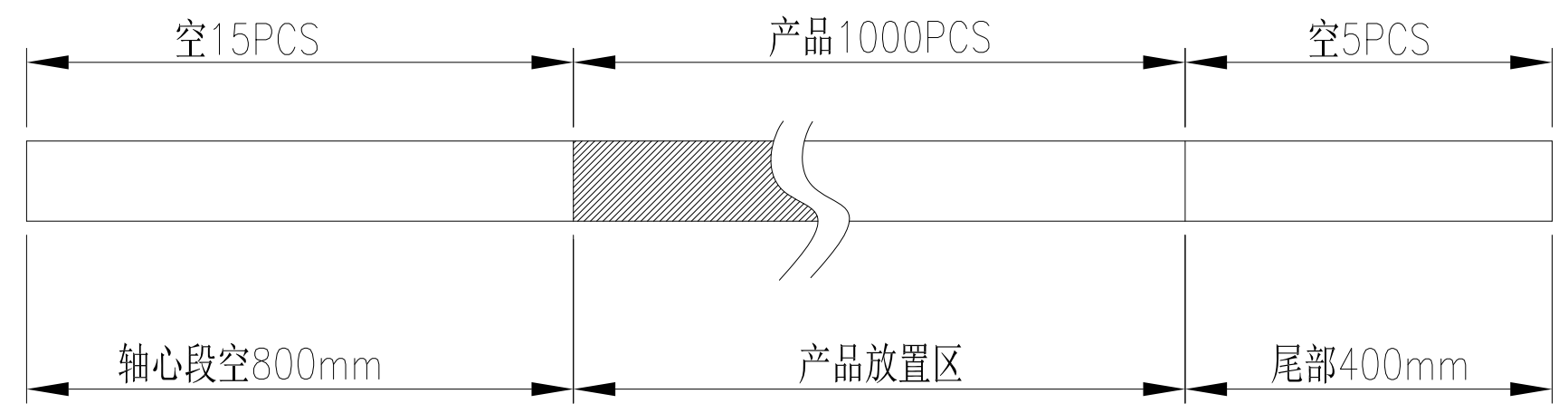
GENERAL TOLERANCE UNLESS OTHERWISE SPECIFIED	DRAWN	PART NO.
X.X ±0.25	CHECKED	THD1118-08TF-GF
X.XX ±0.20	APPROVED	TITLE:
X.XXX ±0.10	黄德进	TF PUSH H1.85/内焊/常开
ANG. ±3°	SHEET 1/1	UNIT MM SCALE 1:1 SIZE A4 REV X1

REV.	REVISIONS	CHK	DATE
X1	Prototype	J im	2012/05/10

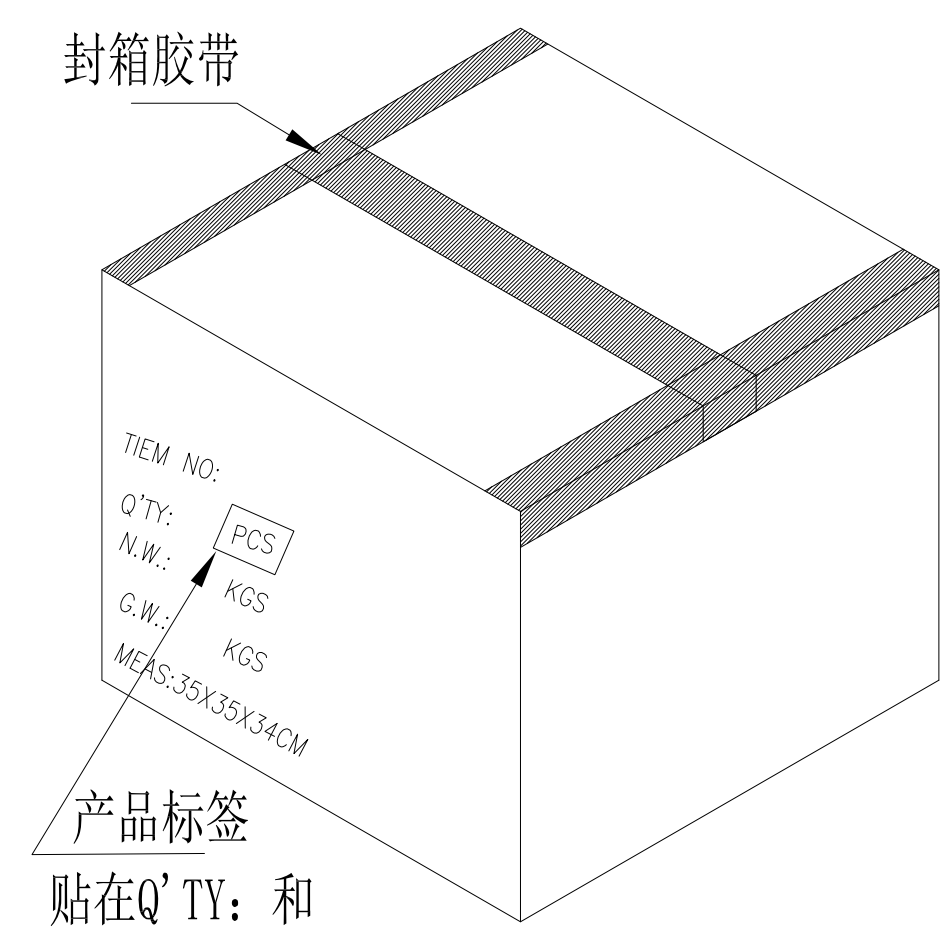
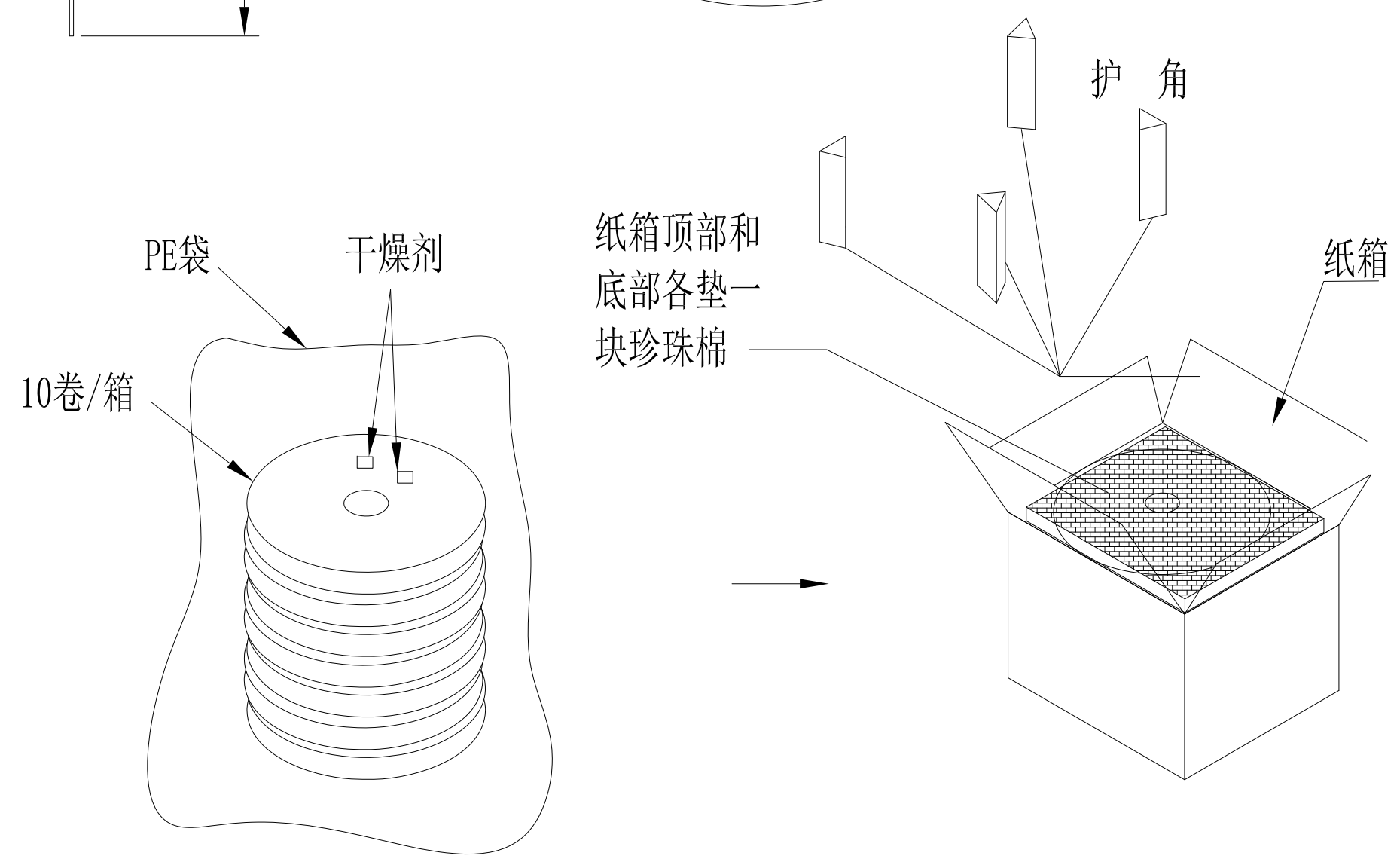


NOTES

1. 每卷包装数量:1000PCS/每卷
2. 卷带包装方式:



3. 每箱包装数量:10000PCS/箱




深圳市台华达科技有限公司
 SHEN ZHEN SHI THD ELECTRONICS CO., LTD.

GENERAL TOLERANCE UNLESS OTHERWISE SPECIFIED				DRAWN		PART NO.	
X.X ±0.25				CHECKED		THD1118-08TF-GF	
X.XX ±0.20				APPROVED		TITLE:	
X.XXX ±0.10				黄德进		TF PUSH H1.85/内焊/常开	
ANG. ±3°				SHEET 1/1		UNIT MM	
REV.	REVISIONS	CHK	DATE	SCALE 1:1		SIZE A4	REV X1