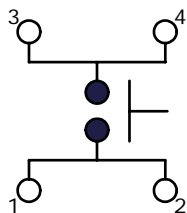
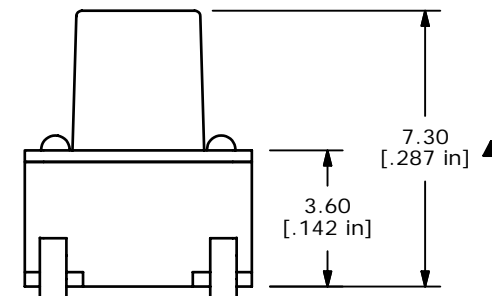
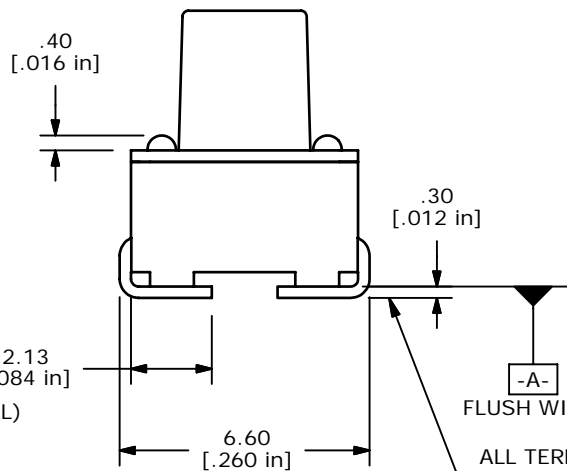


ISOMETRIC



CIRCUIT: SPST



FLUSH WITH SURFACE -A- TO BELOW

ALL TERMINALS MUST BE CO-PLANAR w/in 0.10 [.004] TOTAL

- NOTES:
1. ALL DIMENSIONS IN MM
 2. GENERAL TOLERANCE: X.X=±0.4
X.XX=±0.25
 3. TERM. NOS. FOR REFERENCE ONLY.
 4. RATING: 50mA @ 12VDC
 - ▲5. OPERATING FORCE: 160 ± 50 gms
 6. TRAVEL: 0.25mm +0.2/-0.1
 7. CONTACT RESISTANCE: 100 MILLI OHMS MAX. (INITIAL)
 8. MECHANICAL/ELECTRICAL LIFE 100,000 CYCLES MIN.
 9. CONTACT MATERIAL: SILVER
 - ▲10. PACKAGE: TAPE AND REEL, 750 PCS.
 11. ▲ DENOTES CRITICAL PARAMETER
 12. 2002/95/EC (ROHS) COMPLIANT.
 13. OPERATING TEMPERATURE: -40°C TO 80°C

C	17377	ADDED COPLANAR NOTE	6/11/07	TN
B	17320	1100 PCS TO 750	5/22/07	TN
A	17168	RELEASED FOR PRODUCTION	4/16/07	TN
REV	PCR NO	DESCRIPTION	DATE	BY



TITLE TL3301EF160QJ

SCALE	DATE	DR	DWG	REV
5:1	6/11/2007	TN	P010644	C

THE INFORMATION CONTAINED IN THIS DOCUMENT IS PROPRIETARY TO E-SWITCH AND IS NOT TO BE COPIED OR TRANSFERRED