

Approval Sheet for Product Specification

Product Name: SMD 5.0*3.2 Crystal oscillator

Candor P/N: TFOM12M4QWKCNT2T

Company : _____

Division: _____

Approved by: _____

Date: _____

Checked by: X.JIN 2022-08-16

Approval by: T.XU 2022-08-16

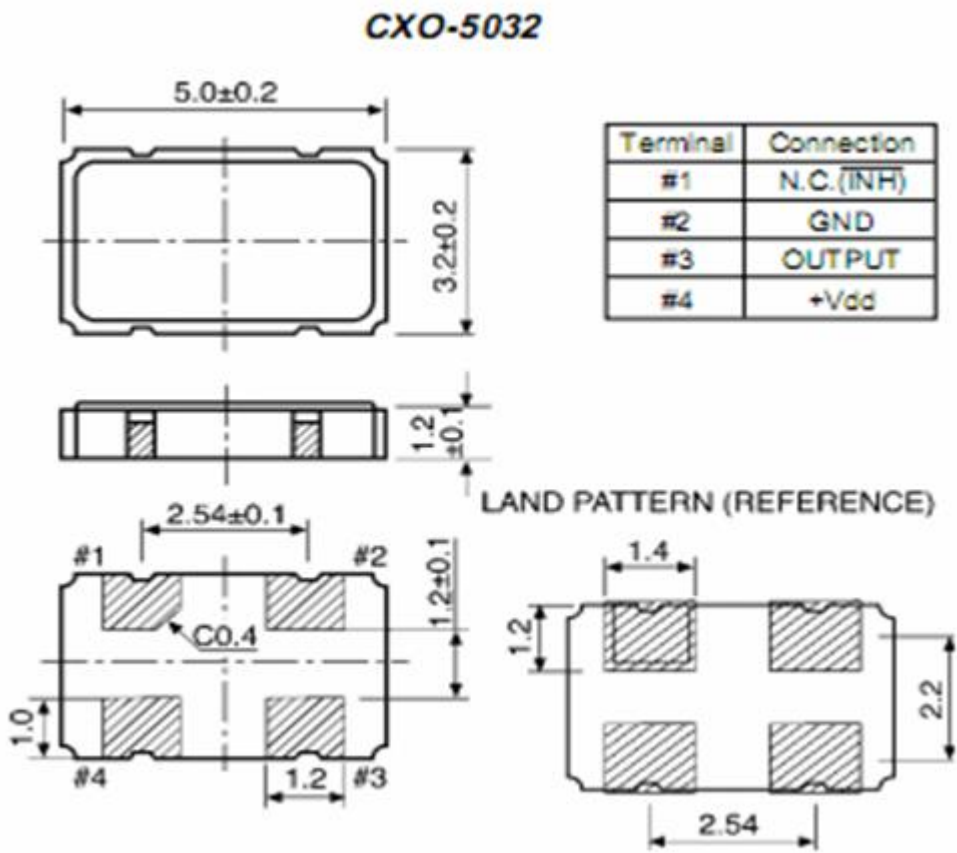
*****~*****

■ Electrical Specifications

1.Model No	5032 OSC	
2.Nominal Frequency	12.000MHz	
3.Mode of Oscillation	Fundamental	
4.Operating Temperature Range	-40℃ to 85 ℃	
5.Storage Temperature Range	-55℃ to +125℃	
6.Frequency Stability	±50ppm	
7.Power Supply Voltage	3.3V±5%	
8.Input Current	10mA Max. : 1.500- 32.000MHz 15mA Max. : 32.001- 50.000MHz 25mA Max. : 50.000- 70.000MHz 60mA Max. : 70.001- 125.00MHz	
9.Output Voltage	Logic High(Voh)	90%Vdd Min
	Logic Low(Vol)	10%Vdd Max
10.Output Load	15pF max CMOS Load	
11.Semmetry (at 50%VDD)	40-60%Normal	
12.Rise & Fall Time	8ns Max.	
13.E/D or N/C.	Tri-state	
14.Output Disable Time	100nsec	
15.Output Enable Time(start-up time)	10msec max	
16.Aging	±3ppm/year	
17.Unit Weight		

■ Part Number Configuration

■ Dimensions



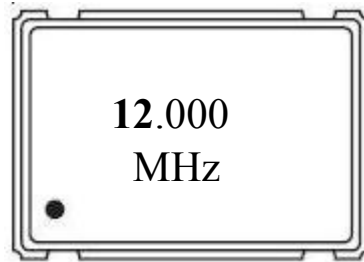
Pad	1	2	3	4
Connection	N.C.(INH)	GND	OUTPUT	VDD

*****β*****

■ Marking

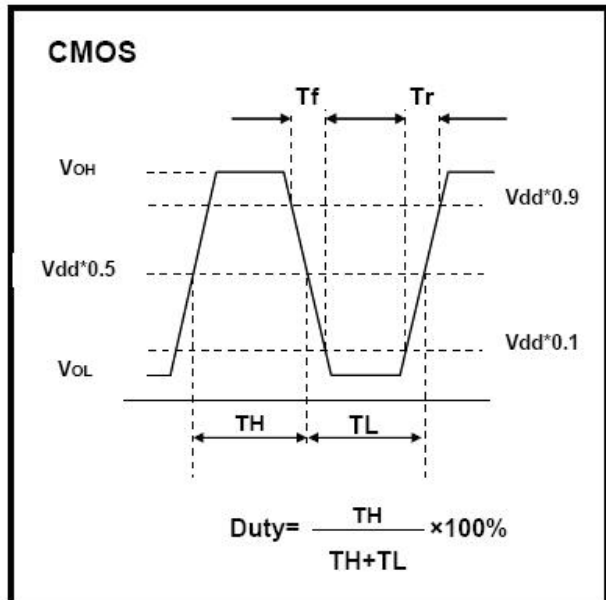
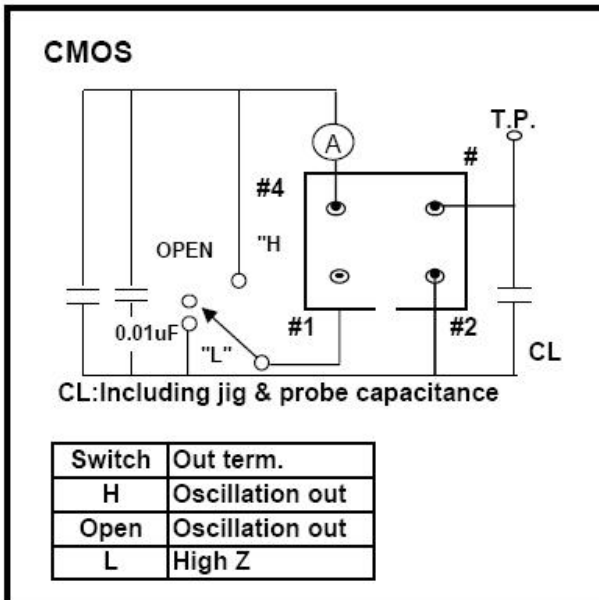
Line 1: 客户指定印字 →

Line 2: ● → Pin#1 indication



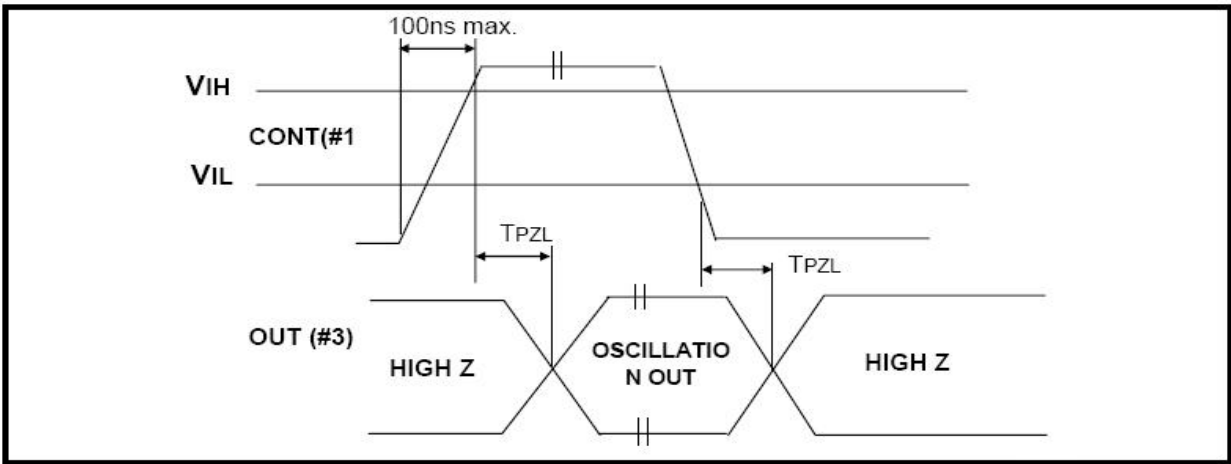
■ Measurement Circuit

Output Wave Form

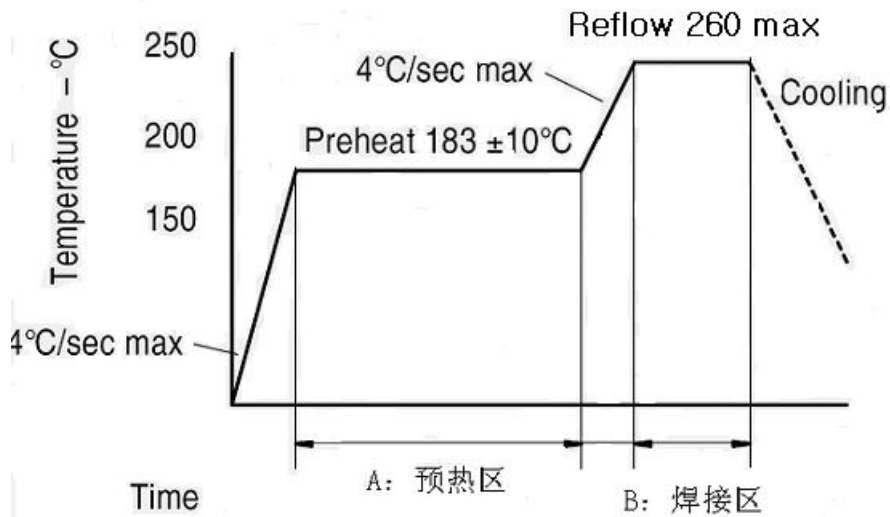


■ Input Output Condition

*****4*****



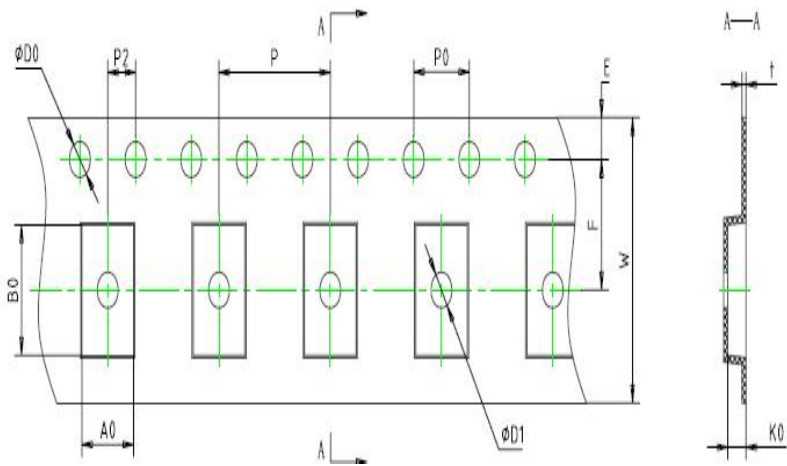
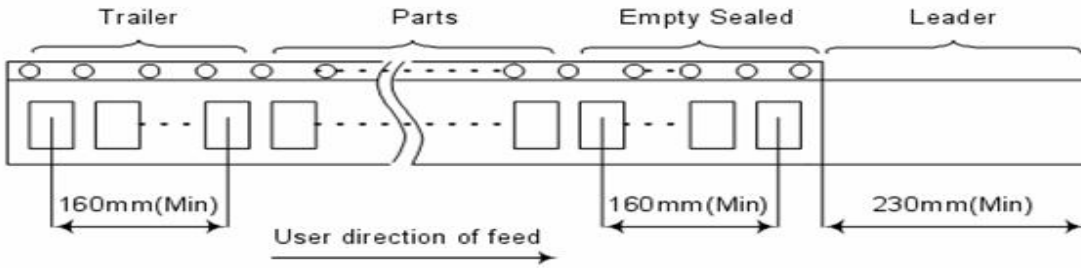
■ Reflow Profile



■ Reliability Specifications

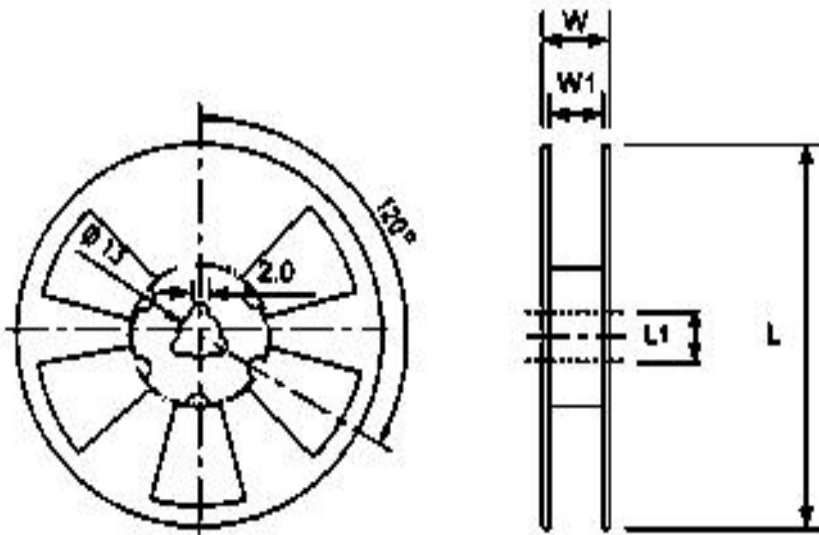
No	Test Item	Test Methods
1	DROP TEST	Device are dropped from a height of 75 cm onto 3 mm thickness stainless plate executing 3 times of random drops.
2	MECHANICAL SHOCK	Device are shocked to half sine wave (1000 G) three mutually perpendicular axes each 3 times.
3	High Temp and Humidity Test	85°C/RH 85%, 500Hrs
4	High temp storage test	125°C+/-2°C 500Hrs
5	Low temp storage test	-40°C 500Hrs
6	Thermal shock test	-40°C~+85°C DWEL 60' 100cycles
7	Aging test	85°C 1000Hrs
8	Resistance to solder heat	260°C 10S
9	VIBRATION	Frequency range 10-2000 Hz Amplitude Sweep 1.5 mm Sweep Time 20 minute Test Time 2 hours
10	SOLDERABILITY	MIL - STD - 20E Method 208C Temperature 245°C±5°C Material H63A (Silver 2-3 %) Immersion depth 0.5 mm minimum Immersion time 3 ± 0.5 seconds Flux Rosin resin methyl

■ Packing



外觀	尺寸 (mm)
E	1.75±0.10
E2	10.25MIN
F	5.50±0.10
P2	2.00±0.10
ØD0	1.50 ^{+0.10} / _{-0.00}
ØD1	1.50MIN
P0	4.00±0.10
10P0	40.00±0.2
W	12.00±0.30
P	8.00±0.10
A0	3.70±0.10
B0	5.50±0.10
K0	1.30±0.10
t	0.30±0.05

■ Reel Dimension



DEMONSTRATIONS [□]	L [□]	L1 [□]	W [□]	W1 [□]	Pcs/Reel (UNIT: mm) [□]
	178 [□]	13 [□]	12.0+/-0.3 [□]	11.5 [□]	Standard Reel Quantity is 1,000 pcs per reel [□]

NOTE: 1. packgeing q'ty 1000PCS /REEL

*****8*****