

## Stereo 2.8W Audio Power Amplifier with DC Volume Control and Selectable Gain

### Features

- Operating Voltage : 4.5V to 5V
- Stereo switchable bridged/single-ended power amplifiers
- DC Volume Control Interface , 0dB to -78dB with precision scale
- Supply Current ,  $I_{DD} = 15\text{mA}$  at Stereo BTL
- Low Shutdown Current ,  $I_{DD} = 0.7\mu\text{A}$
- Bridge-Tied Load (BTL) or Single-Ended-(SE) Modes Operation
- Output Power at 1% THD+N ,  $V_{DD}=5\text{V}$ 
  - 2.3W/Ch (typ) into a 3  $\Omega$  Load
  - 2.0W/Ch (typ) into a 4  $\Omega$  Load
  - 1.2W/Ch (typ) into a 8  $\Omega$  Load
- Output Power at 10% THD+N ,  $V_{DD}=5\text{V}$ 
  - 2.8W/Ch (typ) into a 3  $\Omega$  Load
  - 2.3W/Ch (typ) into a 4  $\Omega$  Load
  - 1.5W/Ch (typ) into a 8 $\Omega$  Load
- Single-ended mode at 1.0% THD+N
  - 95mW/Ch (typ) into 32 $\Omega$  Load
- Depop Circuitry Integrated
- Thermal shutdown protection and over current protection circuitry
- High supply voltage ripple rejection
- PC99 Compliant
- 28-pin TSSOP-P (with enhanced thermal pad) power package available

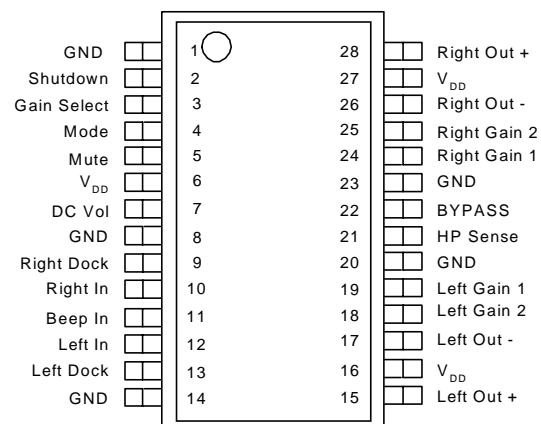
### Applications

- Notebook and Desktop Computers
- Multimedia Monitors
- Portable Applications

### General Description


The APA4838 is a monolithic integrated circuit , which provides DC volume control , and a stereo bridged audio power amplifiers capable of producing 2.8W (2.3W) into 3 $\Omega$  with less than 10% (1.0%) THD+N. APA4838 includes a DC volume control , stereo bridge-tied and single-ended audio power amplifiers , stereo docking outputs , and a selectable gain control , that makes it optimally fittable for notebook PC , multimedia monitors , and other portable applications. The attenuator range of the volume control in APA4838 is from 0dB (DC\_Vol=0.8V<sub>DD</sub>) to -78dB (DC\_Vol=0V) with 31 steps. Both of the depop circuitry and the thermal shutdown protection circuitry are integrated in APA4838 , that reduces pops and clicks noise during power up or shutdown mode operation , and protects the chip from being destroyed by over temperature failure. To simplify the audio system design , APA4838 combines a stereo bridge-tied loads (BTL) mode for speaker drive and a stereo single-end (SE) mode for headphone drive into a single chip , where both modes are easily switched by the HP Sense input control pin signal. Besides the low supply current design to increase the efficiency of the amplifiers , APA4838 also features a shutdown function which keeps the supply current only 0.7 $\mu\text{A}$  (typ).

### Pin Description

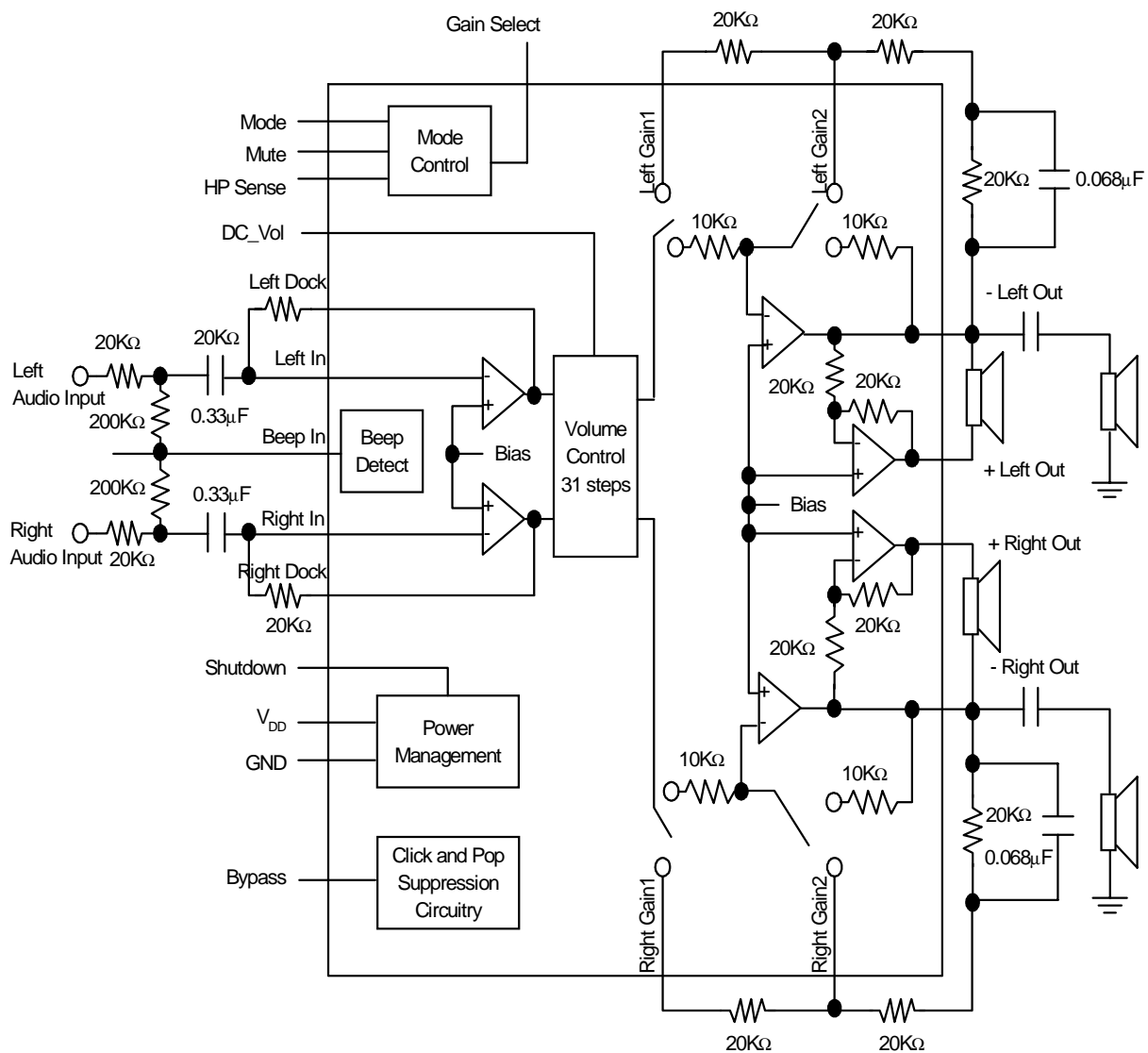


ANPEC reserves the right to make changes to improve reliability or manufacturability without notice, and advise customers to obtain the latest version of relevant information to verify before placing orders.

## Ordering and Marking Information

<p>APA4838 <span style="font-family: monospace;">□□-□□</span></p> <p style="margin-left: 40px;">└─── Handling Code</p> <p style="margin-left: 40px;">└─── Temp. Range</p> <p style="margin-left: 40px;">└─── Package Code</p>	<p>Package Code R : TSSOP-P</p> <p>Temp. Range I : -40 to 85°C</p> <p>Handling Code TU : Tube</p> <p style="text-align: right;">TR : Tape &amp; Reel</p>
<p>APA4838 R : <span style="border: 1px solid black; padding: 2px; display: inline-block; text-align: center;">  </span></p>	<p>XXXXX - Date Code</p>

## Block Diagram



## Absolute Maximum Ratings

(Over operating free-air temperature range unless otherwise noted.)

Symbol	Parameter	Rating	Unit
$V_{DD}$	Supply Voltage	-0.3 to 6	V
$V_{IN}$	Input Voltage Range, HP sense, Shutdown, Mute, Mode, Gain Select	-0.3 to $V_{DD}+0.3$	V
$T_A$	Operating Ambient Temperature Range	-40 to 85	°C
$T_J$	Maximum Junction Temperature	Internally Limited*1	°C
$T_{STG}$	Storage Temperature Range	-65 to +150	°C
$T_S$	Soldering Temperature, 10 seconds	260	°C
$V_{ESD}$	Electrostatic Discharge	-2000 to 2000*2	V
$P_D$	Power Dissipation	Internally Limited	W

Note:

1. APA4838 integrated internal thermal shutdown protection when junction temperature ramp up to 150°C
2. Human body model: C=100pF, R=1500Ω, 3 positive pulses plus 3 negative pulses
3. Machine model: C=200pF, L=0.5μF, 3 positive pulses plus 3 negative pulses

## Recommended Operating Conditions

	Min.	Max.	Unit
Supply Voltage, $V_{DD}$	4.5	5.5	V
High level threshold voltage, $V_{IH}$	Shutdown, Mute, Mode, Gain Select	2	V
	HP Sense	4	
Low level threshold voltage, $V_{IL}$	Shutdown, Mute, Mode, Gain Select	1.0	V
	HP Sense	3	
Common mode input voltage, $V_{ICM}$	$V_{DD}-1.0$		V

## Thermal Characteristics

Symbol	Parameter	Value	Unit
$R_{THJA}$	Thermal Resistance from Junction to Ambient in Free Air TSSOP-P*	45	K/W

\* 5 in<sup>2</sup> printed circuit board with 2oz trace and copper pad through 9 25mil diameter vias.  
The thermal pad on the TSSOP\_P package with solder on the printed circuit board.

## Electrical Characteristics

### Electrical Characteristics for Entire IC

The following specifications apply for  $V_{DD}=5V$  unless otherwise noted. Limits apply for  $T_A=25^\circ C$

Symbol	Parameter	Test Conditions	APA4838			Unit
			Min.	Typ.	Max.	
$V_{DD}$	Supply Voltage		4.5		5.5	V
$I_{DD}$	Quiescent Power Supply Current	$V_{IN}=0V, I_O=0A$		15	25	mA
$I_{SD}$	Shutdown Current	$V_{PIN2}=V_{DD}$		0.7	2.0	$\mu A$

### Electrical Characteristics for Volume Attenuators

The following specifications apply for  $V_{DD}=5V$ . Limits apply for  $T_A=25^\circ C$

Symbol	Parameter	Test Conditions	APA4838			Unit
			Min.	Typ.	Max.	
$C_{RANGE}$	Attenuator Range	Gain with $V_{PIN7}=5V$			$\pm 0.5$	dB
		Attenuation with $V_{PIN7}=0V$	-65	-78		
$A_M$	Mute Attenuation	$V_{PIN5}=5V$ , Bridged Mode	-70			dB
		$V_{PIN5}=5V$ , Single-Ended Mode	-70			

### Electrical Characteristics for BTL Mode Operation

The following specifications apply for  $V_{DD}=5V$  unless otherwise noted. Limits apply for  $T_A=25^\circ C$

Symbol	Parameter	Test Conditions	APA4838	Unit
			Typ.	
$V_{OS}$	Output Offset Voltage	$V_{IN}=0V$	5	mV
$P_O$	Output Power	THD=1%, f=1kHz $R_L=3\Omega$ $R_L=4\Omega$ $R_L=8\Omega$	2.3 2.0 1.2	W
		THD=10%, f=1kHz $R_L=8\Omega$	1.5	
THD+N	Total Harmonic Distortion + Noise	$A_{VD}=2, f=1kHz$ $R_L=4\Omega, P_O=1.5W$ $R_L=8\Omega, P_O=1W$	0.07 0.07	%
PSRR	Power Supply Rejection Ratio	$V_{RIPPLE}=100mV_{RMS}, C_B=2.2\mu F,$ $R_L=8\Omega, f=1kHz$	70	dB
$X_{TALK}$	Channel Separation	$C_B=2.2\mu F, f=1kHz, R_L=8\Omega$	90	dB
SNR	Signal-to-Noise Ratio	$V_{DD}=5V, P_O=1.1W, R_L=8\Omega, A-Wtd$ Filter	95	dB
$V_N$	Output Noise Voltage	$R_L=8\Omega, A-Wtd$ Filter	30	$\mu V$

## Electrical Characteristics (Cont.)

### Electrical Characteristics for SE Mode Operation (Cont.)

The following specifications apply for  $V_{DD}=5V$  unless otherwise noted. Limits apply for  $T_A=25^\circ C$

Symbol	Parameter	Test Conditions	APA4838	Unit
			Typ.	
$V_{OS}$	Output Offset Voltage	$V_{IN}=0V$	5	mV
$P_O$	Output Power	THD=1%, $f=1kHz$ , $R_L=32\Omega$	95	mW
		THD=10%, $f=1kHz$ , $R_L=32\Omega$	110	
THD+N	Total Harmonic Distortion plus Noise	$A_V=1$ , $V_{OUT}=1V_{RMS}$ , $R_L=10k\Omega$ , $f=1kHz$	0.05	%
		$P_O=75mW$ , $R_L=32\Omega$ , $A_V=1$ , $f=1kHz$	0.07	%
PSRR	Power Supply Rejection Ratio	$V_{RIPPLE}=100mV_{RMS}$ , $f=120Hz$ , $C_B=2.2\mu F$	52	dB
$X_{TALK}$	Channel Separation	$C_B=2.2\mu F$ , $R_L=8\Omega$ , $f=1kHz$	90	dB
SNR	Signal-to-Noise Ratio	$P_O=75mW$ , $R_L=32\Omega$ , A-Wtd Filter	102	dB
$V_N$	Output Noise Voltage	$R_L=32\Omega$ , A-Wtd Filter	20	$\mu V$

## Pin Description

Pin		I/O	Description
Name	No		
GND	1, 8, 14, 20, 23		Ground connection for circuitry.
Shutdown	2	I	Shutdown mode control signal input, place entire IC in shutdown mode when held high, $I_{dd}=0.7\mu A$
Gain Select	3	I	Gain select input pin, logic high will switch the amplifier to external gain mode, and logic low will switch to internal unity gain.
Mode	4	I	Mode select input pin, fixed gain when logic L and gain adjustable mode when logic H.
Mute	5	I	Mute control input pin, active H.
$V_{DD}$	6, 16, 27		Supply voltage input pin
DC_Vol	7	I	Volume control function input pin.
Right Dock	9	O	Right docking output pin
Right In	10	I	Right channel audio input pin
Beep In	11	I	Beep signal input pin
Left In	12	I	Left channel audio input pin
Left Dock	13	O	Right docking output pin
Left Out +	15	O	Left channel positive output pin
Left Out -	17	O	Left channel negative output pin
Left Gain 2	18		Connect pin 2 of the external gain setting resistor for left channel
Left Gain 1	19		Connect pin 1 of the external gain setting resistor for left channel
HP Sense	21	I	Headphone sense control pin

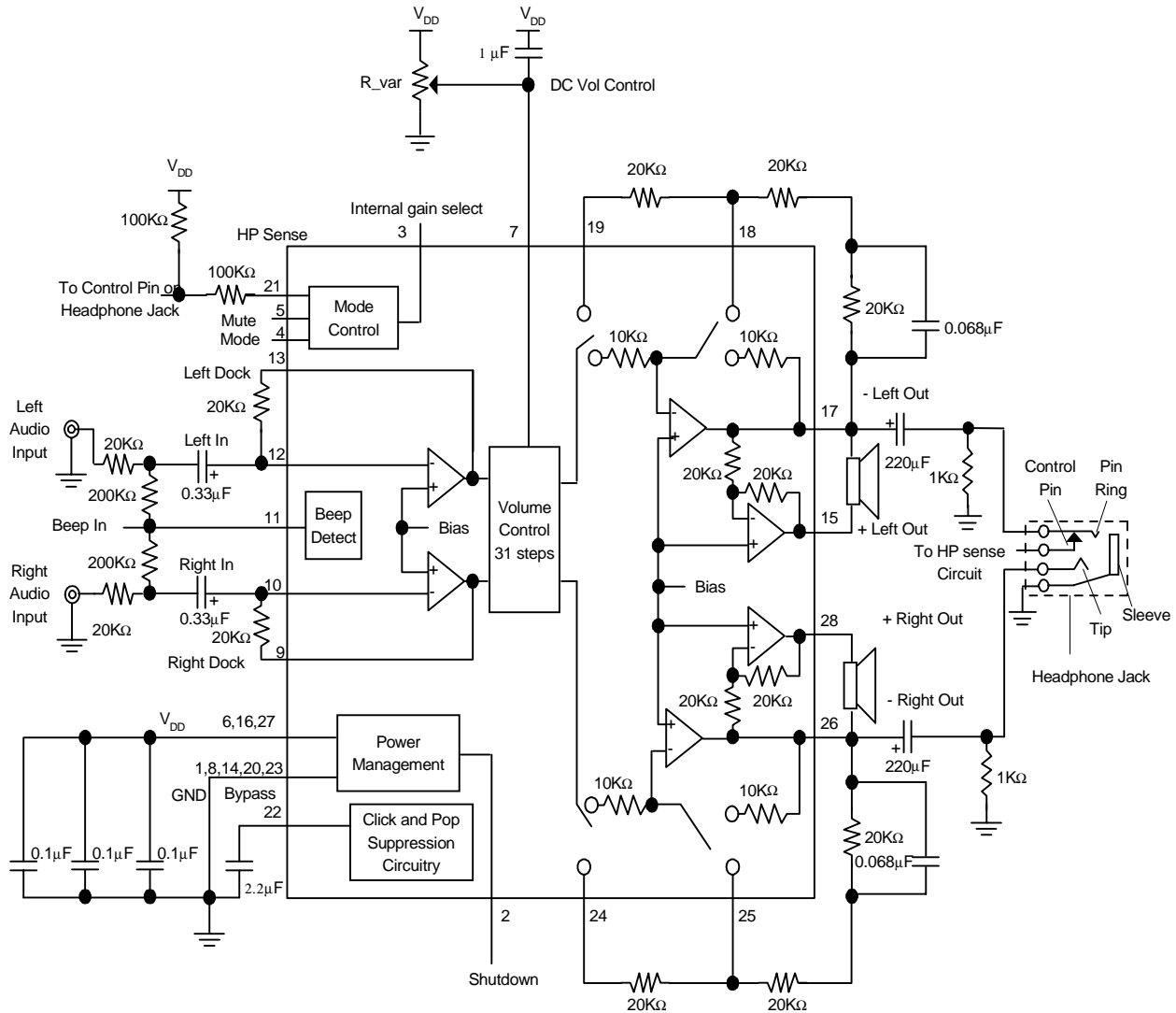
### Pin Description (Cont.)

Pin		I/O	Description
Name	No		
Bypass	22		Bypass pin
Right Gain 1	24		Connect pin 1 of the external gain setting resistor for right channel
Right Gain 2	25		Connect pin 2 of the external gain setting resistor for right channel
Right Out -	26	O	Right channel negative output pin
Right Out +	28	O	Right channel positive output pin

### Truth Table for Logic Inputs

Mute	Gain Select	Mode	HP Sense	Gain Mode of Power Amplifier	DC Vol. Control	BTL Output	SE Output
0	0	0	0	Unity Gain Setting	Fixed Level	Vol. Fixed	-
0	0	0	1	Unity Gain Setting	Fixed Level	Muted	Vol. Fixed
0	0	1	0	Unity Gain Setting	Adjustable	Vol. Adjustable	-
0	0	1	1	Unity Gain Setting	Adjustable	Muted	Vol. Adjustable
0	1	0	0	External Gain Setting	Fixed Level	Vol. Fixed	-
0	1	0	1	External Gain Setting	Fixed Level	Muted	Vol. Fixed
0	1	1	0	External Gain Setting	Adjustable	Vol. Adjustable	-
0	1	1	1	External Gain Setting	Adjustable	Muted	Vol. Adjustable
1	X	X	X	-	-	Muted	Muted

# Typical Application Circuit



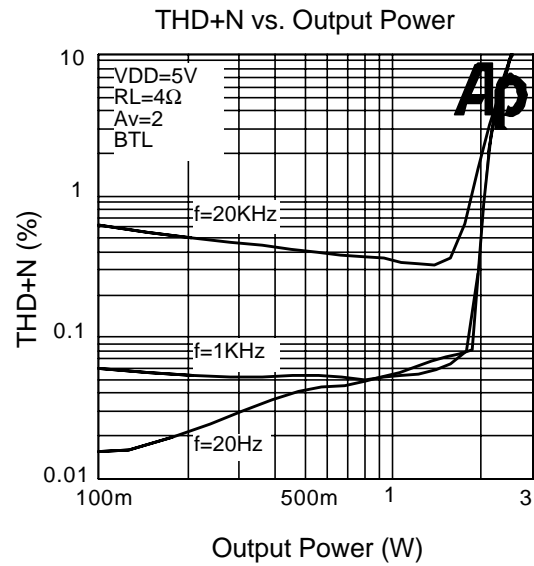
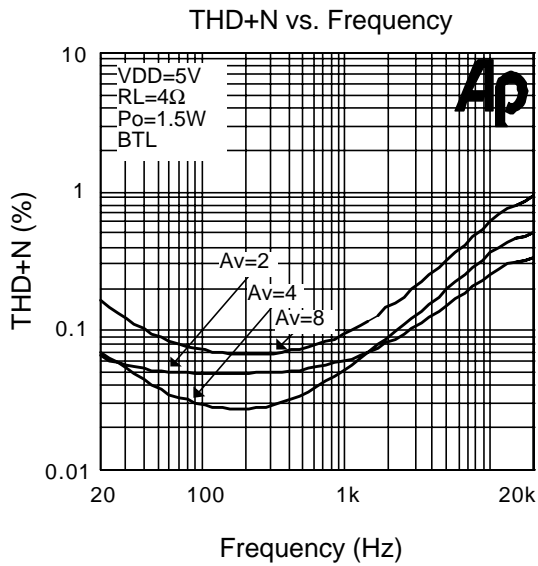
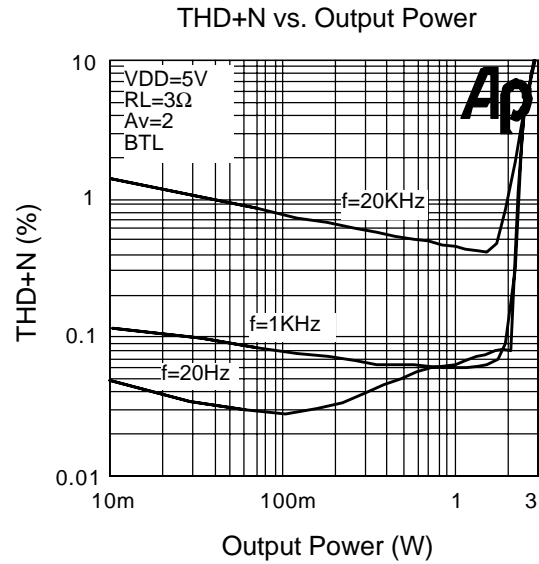
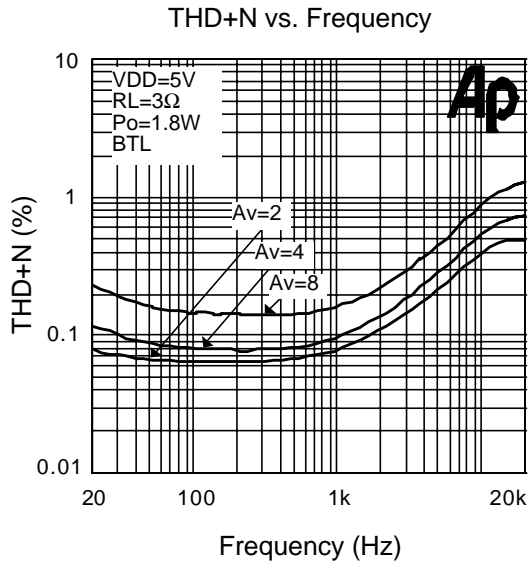
## Application Information

Volume Control Table

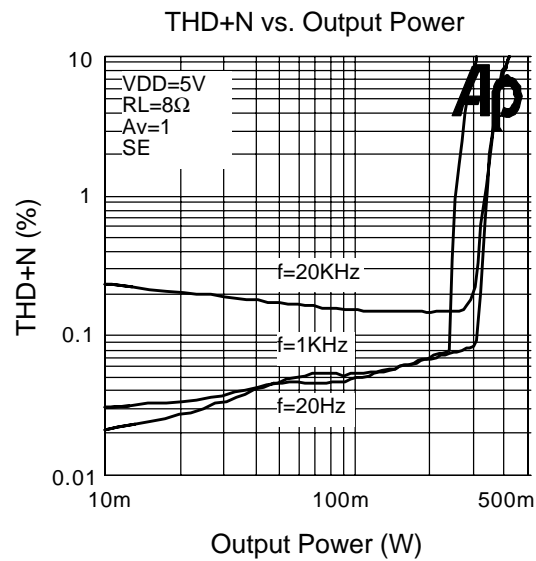
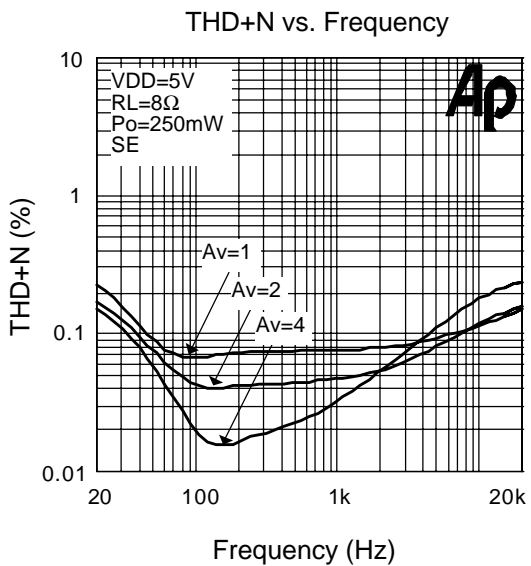
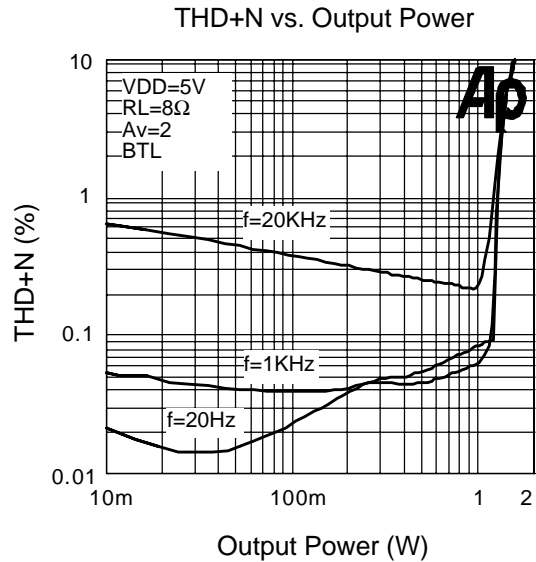
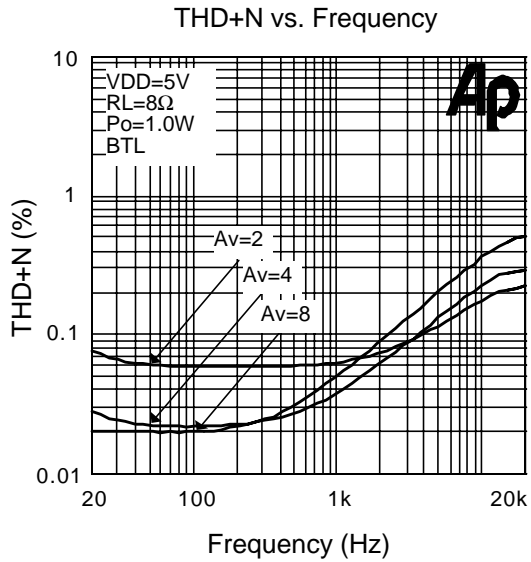
Gain (dB)	Voltage Range (% of Vdd)			Voltage Range (Vdd=5V)		
	Low	High	Recommended	Low	High	Recommended
0	77.5%	100.00%	100.000%	3.875	5.000	5.000
-1	75.0%	78.5%	76.875%	3.750	3.938	3.844
-2	72.5%	76.25%	74.375%	3.625	3.813	3.719
-3	70.0%	73.75%	71.875%	3.500	3.688	3.594
-4	67.5%	71.25%	69.375%	3.375	3.563	3.469
-5	65.0%	68.75%	66.875%	3.250	3.438	3.344
-6	62.5%	66.25%	64.375%	3.125	3.313	3.219
-8	60.0%	63.75%	61.875%	3.000	3.188	3.094
-10	57.5%	61.25%	59.375%	2.875	3.063	2.969
-12	55.0%	58.75%	56.875%	2.750	2.938	2.844
-14	52.5%	56.25%	54.375%	2.625	2.813	2.719
-16	50.0%	53.75%	51.875%	2.500	2.688	2.594
-18	47.5%	51.25%	49.375%	2.375	2.563	2.469
-20	45.0%	48.75%	46.875%	2.250	2.438	2.344
-22	42.5%	46.25%	44.375%	2.125	2.313	2.219
-24	40.0%	43.75%	41.875%	2.000	2.188	2.094
-26	37.5%	41.25%	39.375%	1.875	2.063	1.969
-28	35.0%	38.75%	36.875%	1.750	1.938	1.844
-30	32.5%	36.25%	34.375%	1.625	1.813	1.719
-32	30.0%	33.75%	31.875%	1.500	1.688	1.594
-34	27.5%	31.25%	29.375%	1.375	1.563	1.469
-36	25.0%	28.75%	26.875%	1.250	1.438	1.344
-38	22.5%	26.25%	24.675%	1.125	1.313	1.219
-40	20.0%	23.75%	21.875%	1.000	1.188	1.094
-42	17.5%	21.25%	19.375%	0.875	1.063	0.969
-44	15.0%	18.75%	16.875%	0.750	0.937	0.844
-46	12.5%	16.25%	14.375%	0.625	0.812	0.719
-48	10.0%	13.75%	11.875%	0.500	0.687	0.594
-50	7.5%	11.25%	9.375%	0.375	0.562	0.469
-52	5.0%	8.75%	6.875%	0.250	0.437	0.344
-78	0.0%	6.25%	0.000%	0.000	0.312	0.000



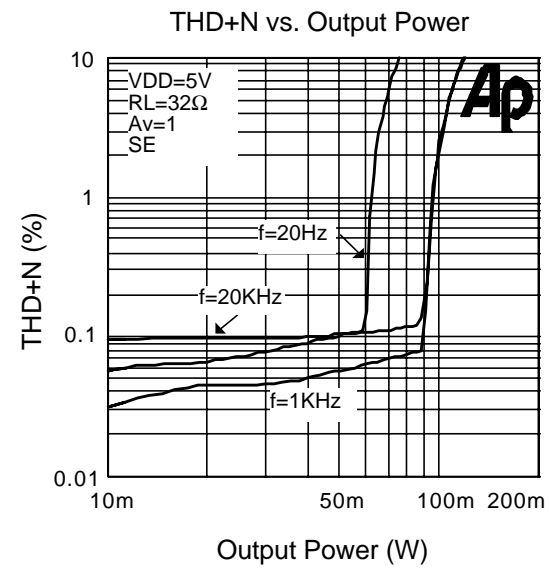
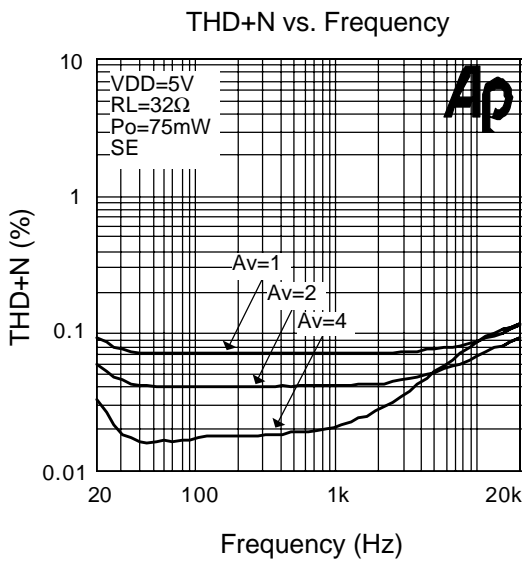
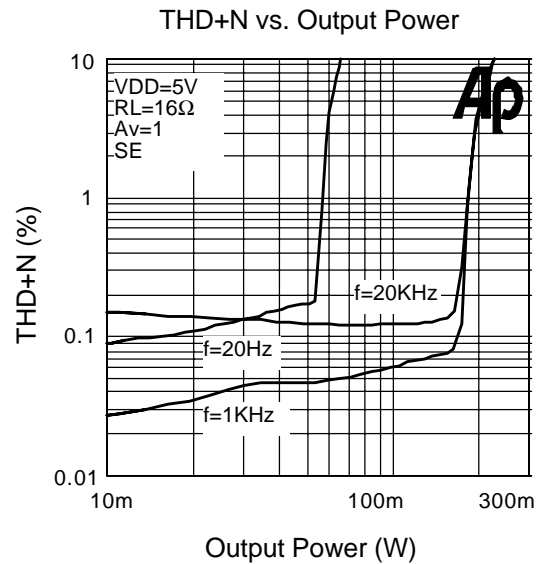
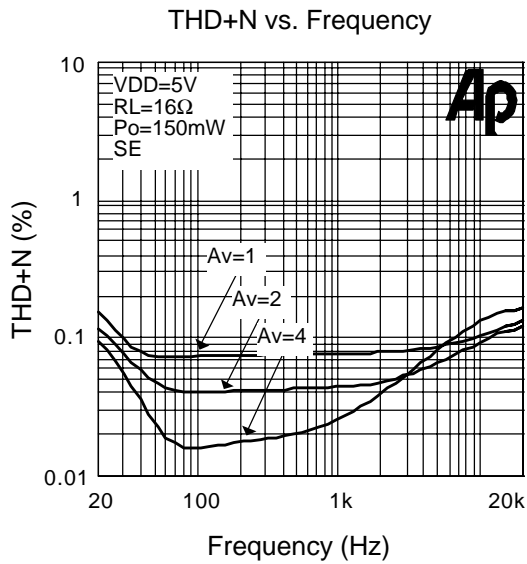
## Typical Characteristics



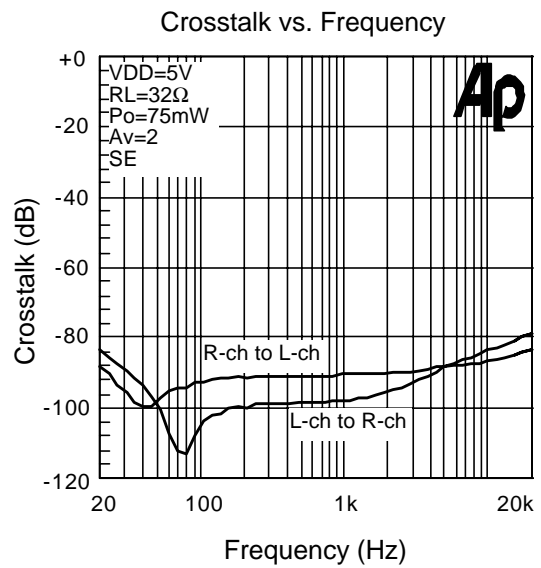
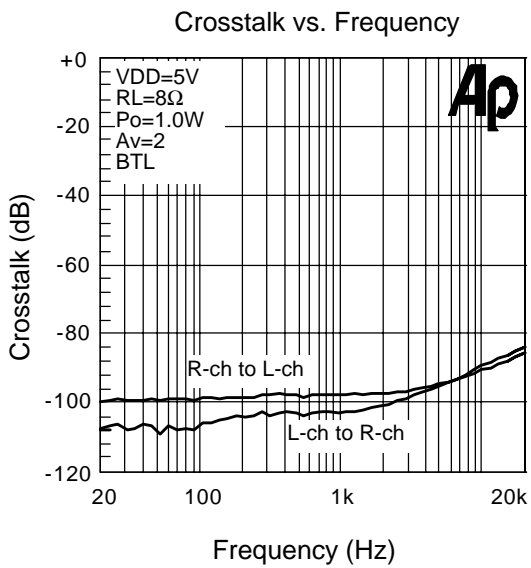
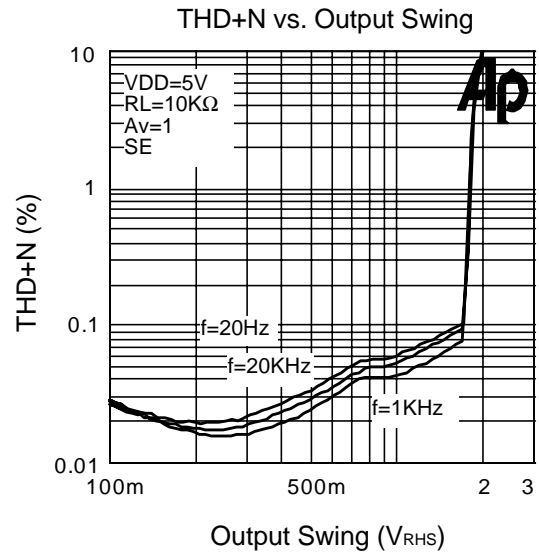
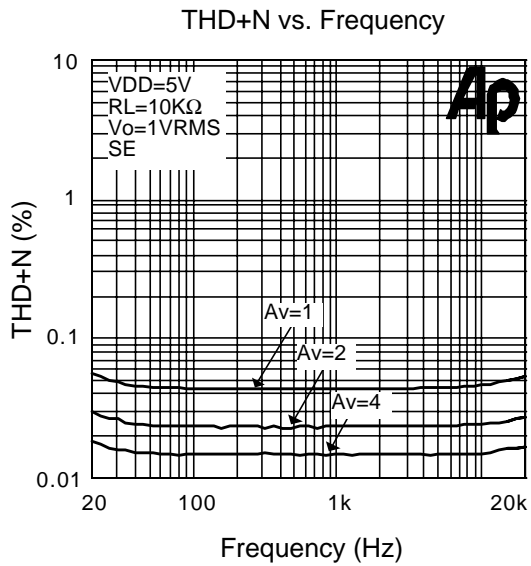
Typical Characteristics (Cont.)



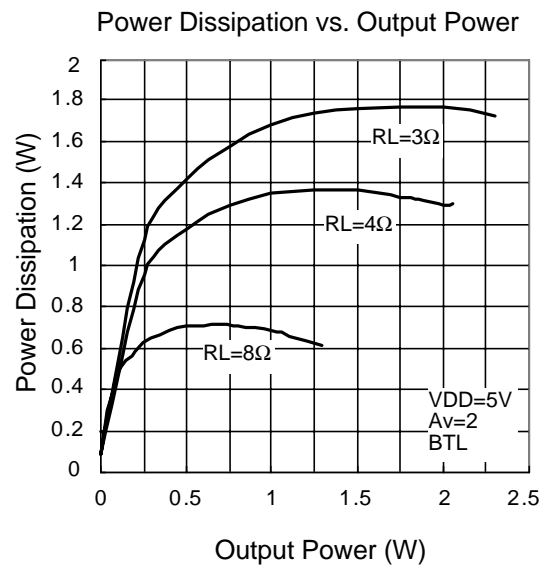
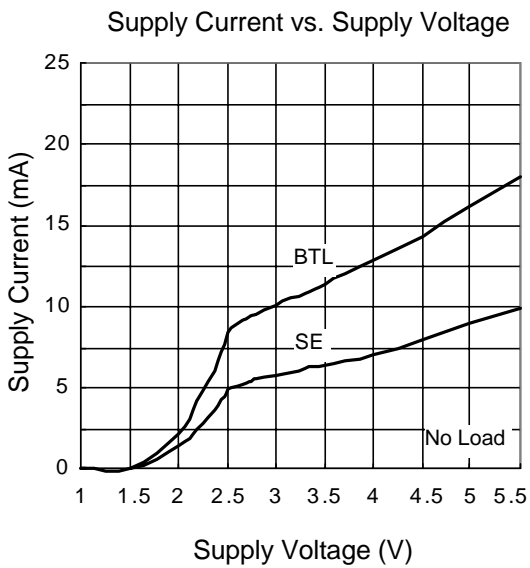
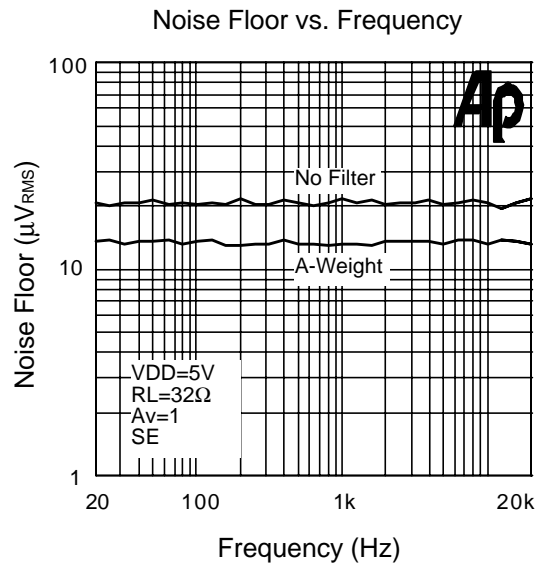
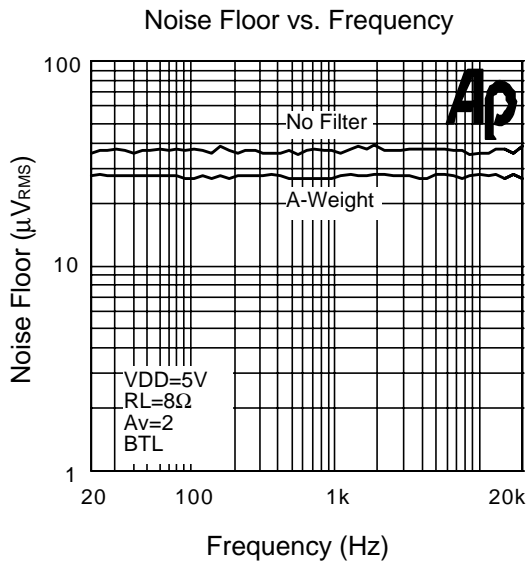
Typical Characteristics (Cont.)



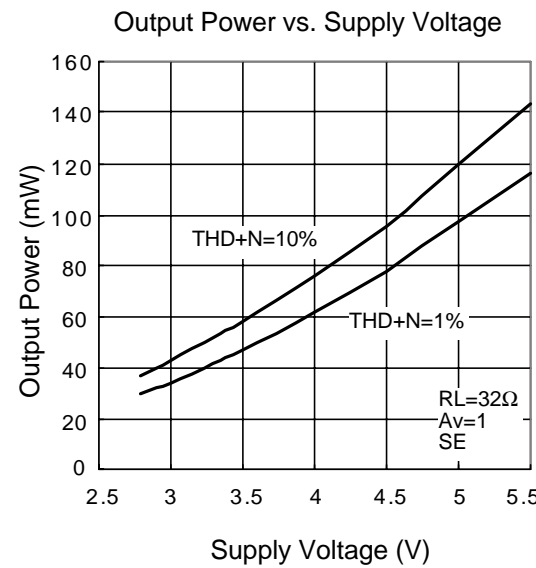
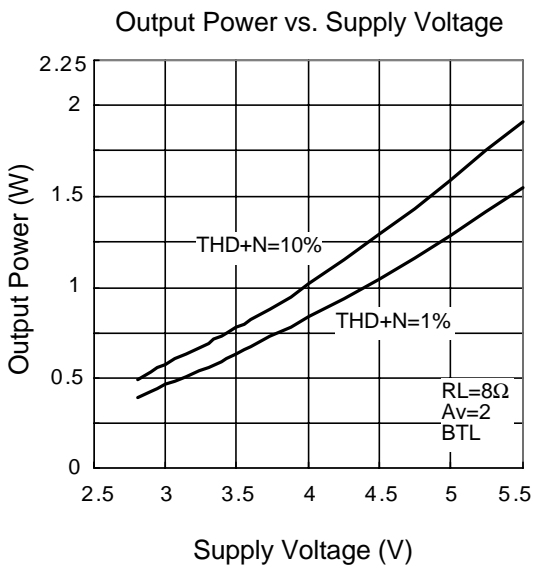
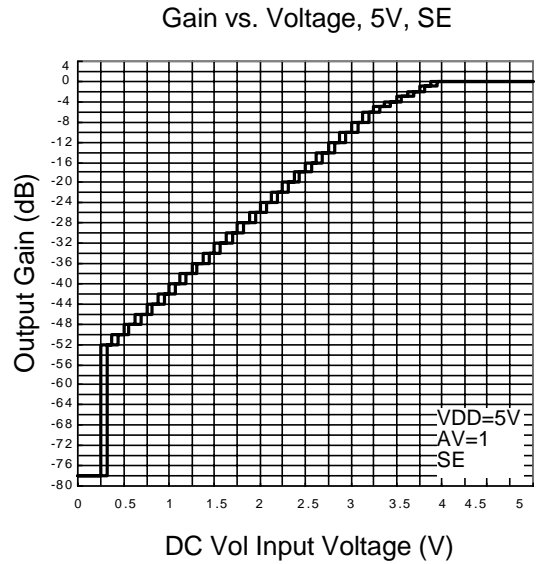
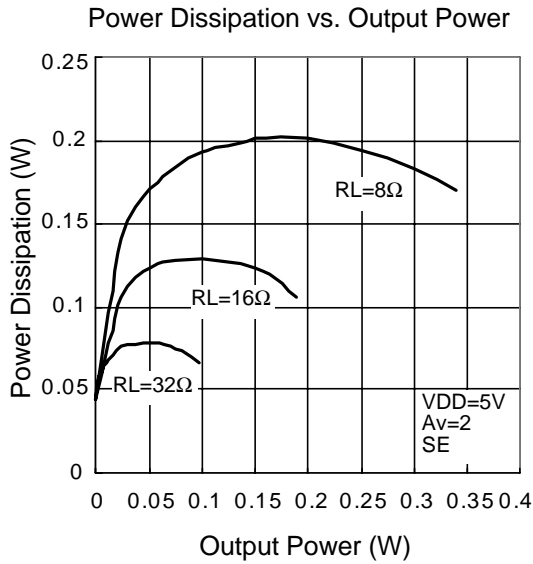
Typical Characteristics (Cont.)



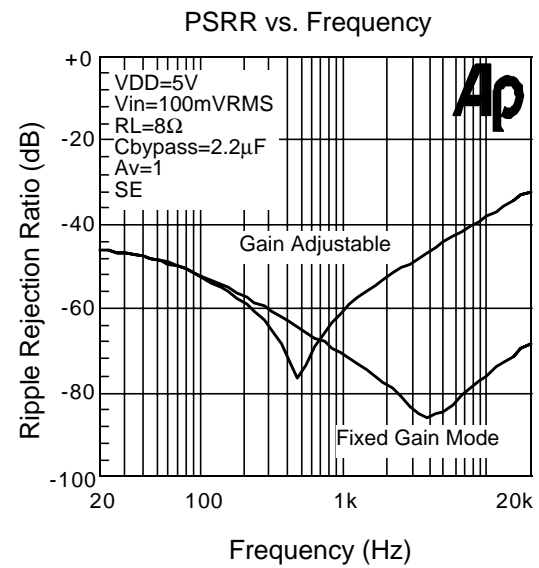
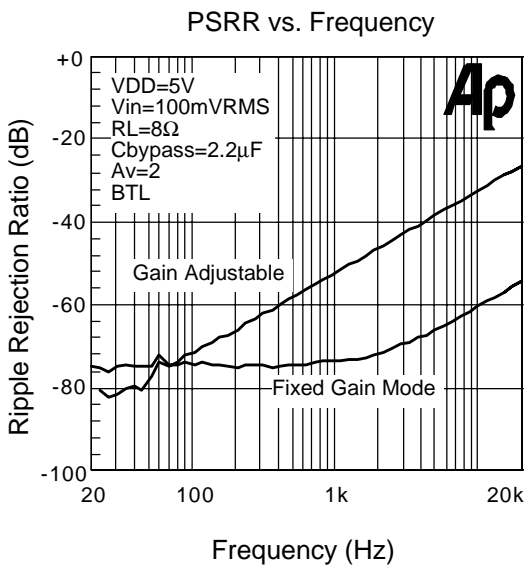
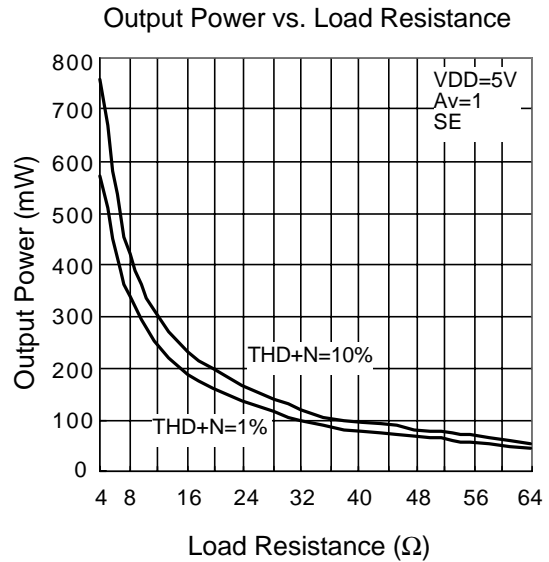
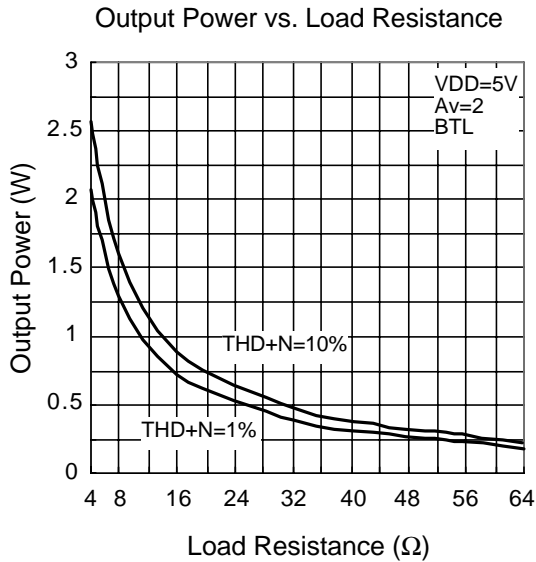
Typical Characteristics (Cont.)



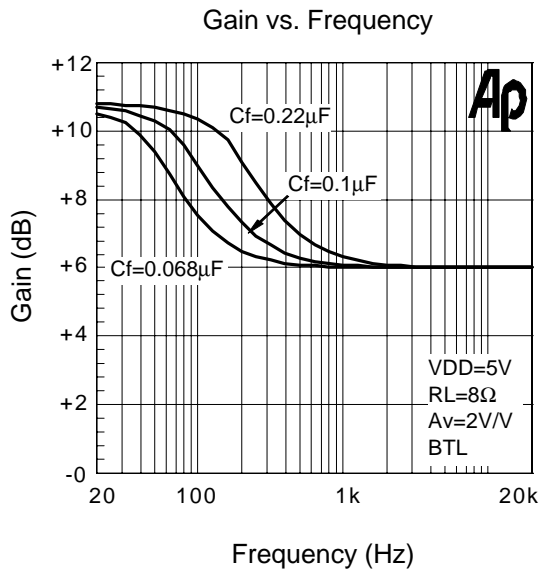
Typical Characteristics (Cont.)



Typical Characteristics (Cont.)



Typical Characteristics (Cont.)





## Application Descriptions

### BTL Operation

The APA4838 output stage (power amplifier) has two pairs of operational amplifiers internally, allowed for different amplifier configurations for each channel.

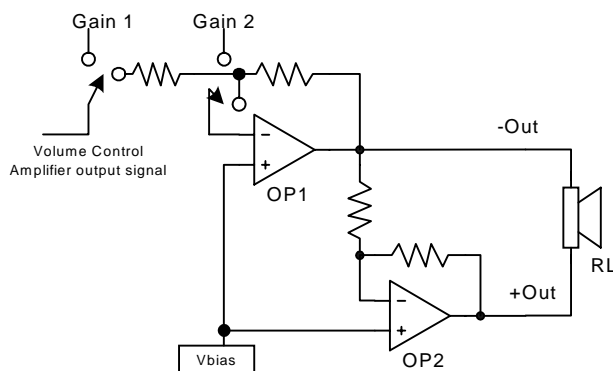


Figure 1: APA4838 power amplifier internal configuration (each channel)

The power amplifier OP1 gain is setting by internal unity-gain or external gain setting which is selected from Gain Select pin and the audio input signal come from internal volume control block, while the second amplifier OP2 is internally fixed in a unity-gain, inverting configuration. Figure 1 shows that the output of OP1 is connected to the input of OP2, which results in the output signals of with both amplifiers with identical in magnitude, but out of phase 180°. Consequently, the differential gain for each channel is 2X (Gain of SE mode).

By driving the load differentially through outputs -Out and +Out, an amplifier configuration commonly referred to as bridged mode is established. BTL mode operation is different from the classical single-ended SE amplifier configuration where one side of its load is connected to ground.

### BTL Operation (Cont.)

A BTL amplifier design has a few distinct advantages over the SE configuration, as it provides differential drive to the load, thus doubling the output swing for a specified supply voltage.

Four times the output power is possible as compared to a SE amplifier under the same conditions. A BTL configuration, such as the one used in APA4838, also creates a second advantage over SE amplifiers. Since the differential outputs, +Right Out, -Right Out, +Left Out, and -Left Out, are biased at half-supply, no need DC voltage exists across the load. This eliminates the need for an output coupling capacitor which is required in a single supply, SE configuration.

### Single-Ended Operation

Consider the single-supply SE configuration shown Application Circuit. A coupling capacitor is required to block the DC offset voltage from reaching the load. These capacitors can be quite large (approximately 33μF to 1000μF) so they tend to be expensive, occupy valuable PCB area, and have the additional drawback of limiting low-frequency performance of the system (refer to the Output Coupling Capacitor). The rules described still hold with the addition of the following relationship:

$$\frac{1}{C_{bypass} \times 125k\Omega} \leq \frac{1}{R_i C_i} \ll \frac{1}{R_L C_c} \quad (1)$$

## Application Descriptions (Cont.)

### Output SE/BTL Operation

The ability of the APA4838 to easily switch between BTL and SE modes is one of its most important cost saving features. This feature eliminates the requirement for an additional headphone amplifier in applications where internal stereo speakers are driven in BTL mode but external headphone or speakers must be accommodated.

Internal to the APA4838, two separate amplifiers drive -Out and +Out for each channel (see Figure 1). The HP Sense input controls the operation of the follower amplifier that drives +Left Out and +Right Out.

- When HP Sense is held low, the OP2 is turn on and the APA4838 is in the BTL mode.
- When HP Sense is held high, the OP2 is in a high output impedance state, which configures the APA4838 as SE driver from -Out.  $I_{DD}$  is reduced by approximately one-half in SE mode.

Control of the HP Sense input can be a logic-level TTL source or a resistor divider network or the stereo headphone jack with switch pin as shown in Application Circuit.

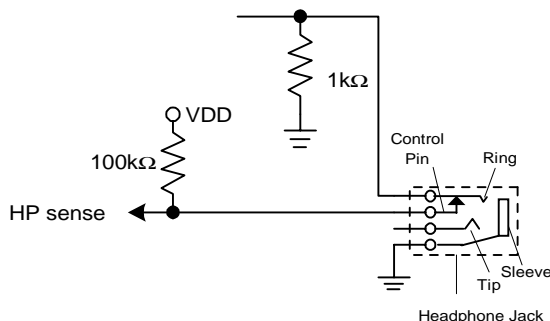


Figure 2: HP Sense input selection by phonejack plug

### Output SE/BTL Operation (Cont.)

In Figure 2, input HP Sense operates as follows: When the phonejack plug is inserted, the 1kΩ resistor is disconnected and the HP Sense input is pulled high and enables the SE mode.

When this input goes high level, the +Out amplifier is shutdown causing the speaker to mute. The -Out amplifier then drives through the output capacitor ( $C_o$ ) into the headphone jack.

When there is no headphone plugged into the system, the contact pin of the headphone jack is connected from the signal pin, the voltage divider set up by resistors 100kΩ and 1kΩ. Resistor 1kΩ then pulls low the HP Sense pin, enabling the BTL function.

### Docking Output Signal

APA4835 internal first amplifier is used as audio signal pre-amplifier and feedback resistor is connected between Dock output pin and audio input pin. However, the internal first amplifier's closed-loop gain can be adjusted using external resistors. Use Equation 2 to determine the input and feedback resistor values for a desired gain.

$$A_v = -\frac{R_F}{R_i} \tag{2}$$

The Dock output signal provides low distortion audio quality for light driving output. ex. active speaker, monitors or audio/visual equipment. These two outputs can driving load of >1kΩ with rail-to-rail output and output coupling capacitor is required when using these outputs.

## Application Descriptions (Cont.)

### Docking Output Signal (Cont.)

Typical values for the output coupling capacitors are 0.33 $\mu$ F to 1.0 $\mu$ F. If polarized coupling capacitors are used, connect their '+' terminals to the respective output pin.

The Right Dock and Left Dock channel outputs signal are also used to driving internal volume control amplifier.

### Input Capacitor, Ci

In the typical application an input capacitor, Ci, is required to allow the amplifier to bias the input signal to the proper DC level for optimum operation. In this case, Ci and the minimum input impedance Ri form a high-pass filter with the corner frequency determined in the follow equation:

$$F_c(\text{highpass}) = \frac{1}{2\pi R_i C_i} \quad (3)$$

The value of Ci is important to consider as it directly affects the low frequency performance of the circuit. Consider the example where Ri is 100k $\Omega$  and the specification calls for a flat bass response down to 40Hz. Equation is reconfigured as follow:

$$C_i = \frac{1}{2\pi R_i f_c} \quad (4)$$

Consider to input resistance variation, the Ci is 0.04 $\mu$ F so one would likely choose a value in the range of 0.1 $\mu$ F to 1.0 $\mu$ F.

A further consideration for this capacitor is the leakage path from the input source through the input network (Ri+Rf, Ci) to the load.

### Input Capacitor, Ci (Cont.)

This leakage current creates a DC offset voltage at the input to the amplifier that reduces useful headroom, especially in high gain applications. For this reason a low-leakage tantalum or ceramic capacitor is the best choice. When polarized capacitors are used, the positive side of the capacitor should face the amplifier input in most applications as the DC level there is held at  $V_{DD}/2$ , which is likely higher than the source DC level. Please note that it is important to confirm the capacitor polarity in the application.

### Effective Bypass Capacitor, Cbypass

As other power amplifiers, proper supply bypassing is critical for low noise performance and high power supply rejection.

The capacitors located on the bypass and power supply pins should be as close to the device as possible. The effect of a larger half supply bypass capacitor will improve PSRR due to increased half-supply stability. Typical application employ a 5V regulator with 1.0 $\mu$ F and a 0.1 $\mu$ F bypass as supply filtering. This does not eliminate the need for bypassing the supply nodes of the APA4838. The selection of bypass capacitors, especially Cbypass, is thus dependent upon desired PSRR requirements, click and pop performance.

To avoid start-up pop noise occurred, the bypass voltage should rise slower than the input bias voltage and the relationship shown in equation (5) should be maintained.

$$\frac{1}{C_{\text{bypass}} \times 125\text{k}\Omega} \ll \frac{1}{R_i C_i} \quad (5)$$

## Application Descriptions (Cont.)

### Effective Bypass Capacitor, C<sub>bypass</sub> (Cont.)

The bypass capacitor is fed from a 125kΩ resistor inside the amplifier. Bypass capacitor, C<sub>bypass</sub>, values of 3.3μF to 10μF ceramic or tantalum low-ESR capacitors are recommended for the best THD and noise performance.

The bypass capacitance also effects to the start up time. It is determined in the following equation:

$$T_{\text{start up}} = 5 \times (C_{\text{bypass}} \times 125\text{k}\Omega) \quad (6)$$

### Output Coupling Capacitor, C<sub>c</sub>

In the typical single-supply (SE) configuration, an output coupling capacitor (C<sub>c</sub>) is required to block the DC bias at the output of the amplifier thus preventing DC currents in the load. As with the input coupling capacitor, the output coupling capacitor and impedance of the load form a high-pass filter governed by equation.

$$F_{c(\text{highpass})} = \frac{1}{2\pi R_L C_c} \quad (7)$$

For example, a 330μF capacitor with an 8Ω speaker would attenuate low frequencies below 60.6Hz. The main disadvantage, from a performance standpoint, is the load impedance is typically small, which drives the low-frequency corner higher degrading the bass response. Large values of C<sub>c</sub> are required to pass low frequencies into the load.

### Power Supply Decoupling, C<sub>s</sub>

The APA4838 is a high-performance CMOS audio amplifier that requires adequate power supply decoupling to ensure the output total harmonic distortion (THD) is as low as possible. Power supply decoupling also prevents the oscillations causing by long lead length between the amplifier and the speaker. The optimum decoupling is achieved by using two different type capacitors that target on different type of noise on the power supply leads. For higher frequency transients, spikes, or digital hash on the line, a good low equivalent-series-resistance (ESR) ceramic capacitor, typically 0.1μF placed as close as possible to the device V<sub>DD</sub> lead works best. For filtering lower-frequency noise signals, a large aluminum electrolytic capacitor of 10μF or greater placed near the audio power amplifier is recommended.

### Optimizing Depop Circuitry

Circuitry has been included in the APA4838 to minimize the amount of popping noise at power-up and when coming out of shutdown mode. Popping occurs whenever a voltage step is applied to the speaker. In order to eliminate clicks and pops, all capacitors must be fully discharged before turn-on. Rapid on/off switching of the device or the shutdown function will cause the click and pop circuitry. The value of C<sub>i</sub> will also affect turn-on pops. (Refer to Effective Bypass Capacitance) The bypass voltage rise up should be slower than input bias voltage.

## Application Descriptions (Cont.)

### Optimizing Depop Circuitry (Cont.)

Although the bypass pin current source cannot be modified, the size of  $C_{bypass}$  can be changed to alter the device turn-on time and the amount of clicks and pops. By increasing the value of  $C_{bypass}$ , turn-on pop can be reduced. However, the tradeoff for using a larger bypass capacitor is to increase the turn-on time for this device. There is a linear relationship between the size of  $C_{bypass}$  and the turn-on time.

In a SE configuration, the output coupling capacitor,  $C_C$ , is of particular concern. This capacitor discharges through the internal  $10k\Omega$  resistors. Depending on the size of  $C_C$ , the time constant can be relatively large. To reduce transients in SE mode, an external  $1k\Omega$  resistor can be placed in parallel with the internal  $10k\Omega$  resistor. The tradeoff for using this resistor is an increase in quiescent current.

In the most cases, choosing a small value of  $C_i$  in the range of  $0.33\mu F$  to  $1\mu F$ ,  $C_{bypass}$  being equal to 4.  $7\mu F$  and an external  $1k\Omega$  resistor should be placed in parallel with the internal  $10k\Omega$  resistor should produce a virtually clickless and popless turn-on.

A high gain amplifier intensifies the problem as the small delta in voltage is multiplied by the gain. So it is advantageous to use low-gain configurations.

### Shutdown and Mute Function

In order to reduce power consumption while not in use, the APA4838 contains a Shutdown pin to externally turn off the amplifier bias circuitry. This shutdown feature turns the amplifier off when a logic high is placed on the Shutdown pin.

### Shutdown and Mute Function (Cont.)

The trigger point between a logic high and logic low level is typically  $2.0V$ . It is best to switch between ground and the supply voltage  $V_{DD}$  to provide maximum device performance.

By switching the Shutdown pin to high level, the amplifier enters a low-current state,  $I_{DD} < 1\mu A$ . APA4838 is in shutdown mode. On normal operating, Shutdown pin pull to low level to keeping the IC out of the shutdown mode. The Shutdown pin should be tied to a definite voltage to avoid unwanted state changes. The APA4838 mutes the amplifier and DOCK outputs when  $V_{DD}$  is applied to the Mute pin. Even while muted, the APA4838 will amplify a system alert (beep) signal whose magnitude satisfies the PCBEEP detect circuitry. Applying  $0V$  to the Mute pin returns the APA4838 to normal operation. Prevent unanticipated mute behavior by connecting the Mute pin to  $V_{DD}$  or ground. Do not let the Mute pin float.

### PCBEEP Detect Circuitry

APA4838 integrates a PCBEEP detect circuit for notebook and computer used. When Beep In signal is greater than  $1/2V_{DD}$ , the PCBEEP mode is active. APA4838 will force to BTL mode and the internal fixed gain mode. The Beep In signal becomes the amplifier input signal and plays on the system speaker without coupling capacitor. Use input resistor between stereo input pin and Beep In to attenuate Beep In signal. These resistors are shown as  $200k\Omega$  devices in Application Circuit. Use higher value resistors to reduce the gain applied to the beep signal.

## Application Descriptions (Cont.)

### PCBEEP Detect Circuitry (Cont.)

If the amplifier in the mute mode, it will out of mute mode whenever PCBEEP mode enable. The APA4838's shutdown mode must be deactivated before a system alert signal is applied to Beep In pin. The APA4838 will return to previous setting when it is out of PCBEEP mode. The Beep In pin should be tied to a ground when not used to avoid unwanted state changes.

### Mode Function

The APA4838's Mode function has 2 states controlled by the voltage applied to the Mode pin. By applying 0V to the Mode pin, forces the APA4838 to fixed gain amplifier and internal volume control block will be disable and internal first amplifier output signal (Dock) to power amplifier directly. When Mode pin goes to high level, which uses the internal DC controlled volume control is selected. This mode sets the amplifier's gain according to the DC voltage applied to the DC Vol control pin. Do not let the Mode pin float when it does not used.

### Internal and External Gain Selection

APA4838 provides external gain setting for base boost function or internal feedback gain setting which is decided by Gain Select control input. If Gain Select pin goes high level, the gain setting will be defined by Gain1 and Gain2 pin. When Gain Select pin tied to low level, APA4835 power amplifier gain setting as unit gain by internal resistor.

### Internal and External Gain Selection (Cont.)

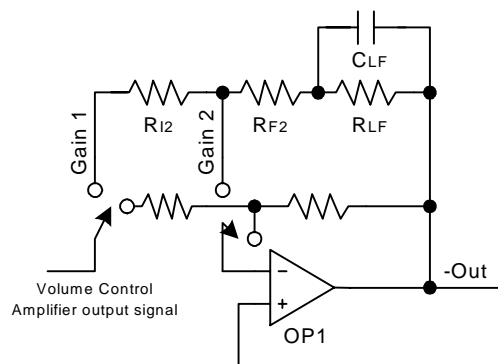


Figure3: Bass Boost gain setting configuration

In some cases a designer may want to improve the low frequency response of the bridged amplifier or incorporate a bass boost feature. Refer to the Figure, a resistor,  $R_{LF}$ , and a capacitor,  $C_{LF}$ , in parallel, can be placed in series with the feedback resistor of the bridged amplifier as seen in Figure.

$$F_C = \frac{1}{2\pi R_{LF} C_{LF}} \quad (8)$$

The bridged-amplifier low frequency differential gain is:

$$F_C = \frac{2 \times (R_{F2} + R_{LF})}{R_{12}} \quad (9)$$

Using the component values shown in Figure ( $R_{F2} = 20k\Omega$ ,  $R_{LF} = 20k\Omega$ , and  $C_{LF} = 0.068\mu F$ ), a first-order, -6dB pole is created at 120Hz. Assuming  $R_{12} = 20k\Omega$ , the low frequency differential gain is 4. The input ( $C_i$ ) and output ( $C_o$ ) capacitor values must be selected for a low frequency response that covers the range of frequencies affected by the desired bass-boost operation.

## Application Descriptions (Cont.)

### Internal and External Gain Selection (Cont.)

At low frequencies  $C_{LF}$  is a virtual open circuit and at high frequencies, its nearly zero ohm impedance shorts  $R_{LF}$ . The result is increased bridge-amplifier gain at low frequencies. The combination of  $R_{LF}$  and  $C_{LF}$  form a -6dB corner frequency at

### Volume Adjustable and Fixed Gain selection

The APA4838 has an internal stereo volume control whose setting is a function of the DC voltage applied to the DC Vol control pin. The APA4838 volume control consists of 31 steps that are individually selected by a variable DC voltage level on the DC Vol control pin. The range of the steps, controlled by the DC voltage, are from 0dB to -78dB. Each gain step corresponds to a specific input voltage range, as shown in table. To minimize the effect of noise on the volume control pin, which can affect the selected gain level, hysteresis and internal clock delay are implemented. The amount of hysteresis corresponds to half of the step width, as shown in volume control graph.

For highest accuracy, the voltage shown in the 'recommended voltage' column of the table is used to select a desired gain. This recommended voltage is exactly halfway between the two nearest transitions. The gain levels are 1dB/step from 0dB to -6dB, 2dB/step from -6dB to -52dB, and the last step at -78dB as mute mode.

### BTL Amplifier Efficiency

An easy-to-use equation to calculate efficiency starts out as being equal to the ratio of power from the power supply to the power delivered to the load. The following equations are the basis for calculating amplifier efficiency.

$$\text{Efficiency} = \frac{P_o}{P_{SUP}} \tag{10}$$

Where :

$$P_o = \frac{V_{ORMS} \times V_{ORMS}}{R_L} = \frac{V_P \times V_P}{2R_L}$$

$$V_{ORMS} = \frac{V_P}{\sqrt{2}} \tag{11}$$

$$P_{SUP} = V_{DD} \times I_{DDRMS} = V_{DD} \times \frac{2V_P}{\pi R_L} \tag{12}$$

Efficiency of a BTL configuration :

$$\frac{P_o}{P_{SUP}} = \left( \frac{V_P \times V_P}{2R_L} \right) / \left( V_{DD} \times \frac{2V_P}{\pi R_L} \right) = \frac{\pi V_P}{2V_{DD}} \tag{13}$$

Po (W)	Efficiency (%)	I <sub>DD</sub> (A)	V <sub>PP</sub> (V)	P <sub>D</sub> (W)
0.2	26.67	0.15	2.00	0.55
0.50	41.67	0.24	2.83	0.7
1.00	58.82	0.34	4.00	0.7
1.3	68.42	0.38	4.47	0.6

\*\*High peak voltages cause the THD to increase.

Table 1. Efficiency Vs Output Power in 5-V/8Ω BTL Systems

Table 1 calculates efficiencies for four different output power levels when load is 8Ω.

## Application Descriptions (Cont.)

### BTL Amplifier Efficiency (Cont.)

The efficiency of the amplifier is quite low for lower power levels and rises sharply as power to the load is increased resulting in a nearly flat internal power dissipation over the normal operating range. Note that the internal dissipation at full output power is less than in the half power range. Calculating the efficiency for a specific system is the key to proper power supply design. For a stereo 1W audio system with 8Ω loads and a 5V supply, the maximum draw on the power supply is almost 3W.

A final point to remember about linear amplifiers (either SE or BTL) is how to manipulate the terms in the efficiency equation to utmost advantage when possible. Note that in equation,  $V_{DD}$  is in the denominator. This indicates that as  $V_{DD}$  goes down, efficiency goes up. In other words, use the efficiency analysis to choose the correct supply voltage and speaker impedance for the application.

### Power Dissipation

Whether the power amplifier is operated in BTL or SE modes, power dissipation is a major concern. In equation14 states the maximum power dissipation point for a SE mode operating at a given supply voltage and driving a specified load.

$$\text{SE mode : } P_{D,MAX} = \frac{V_{DD}^2}{2\pi^2 R_L} \quad (14)$$

In BTL mode operation, the output voltage swing is doubled as in SE mode. Thus the maximum power dissipation point for a BTL mode operating at the same given conditions is 4 times as in SE mode.

### Power Dissipation (Cont.)

$$\text{BTL mode : } P_{D,MAX} = \frac{4V_{DD}^2}{2\pi^2 R_L} \quad (15)$$

Since the APA4838 is a dual channel power amplifier, the maximum internal power dissipation is 2 times that both of equations depending on the mode of operation. Even with this substantial increase in power dissipation, the APA4838 does not require extra heatsink. The power dissipation from equation15, assuming a 5V-power supply and an 8Ω load, must not be greater than the power dissipation that results from the equation16:

$$P_{D,MAX} = \frac{T_{J,MAX} - T_A}{\theta_{JA}} \quad (15)$$

For TSSOP-28 package with and without thermal pad, the thermal resistance ( $\theta_{JA}$ ) is equal to 45°C/W and 50°C/W, respectively.

Since the maximum junction temperature ( $T_{J,MAX}$ ) of APA4838 is 150°C and the ambient temperature ( $T_A$ ) is defined by the power system design, the maximum power dissipation which the IC package is able to handle can be obtained from equation16. Once the power dissipation is greater than the maximum limit ( $P_{D,MAX}$ ), either the supply voltage ( $V_{DD}$ ) must be decreased, the load impedance ( $R_L$ ) must be increased or the ambient temperature should be reduced.



## Application Descriptions (Cont.)

### Thermal Pad Considerations

The thermal pad must be connected to ground. The package with thermal pad of the APA4838 requires special attention on thermal design. If the thermal design issues are not properly addressed, the APA4838 4Ω will go into thermal shutdown when driving a 4Ω load.

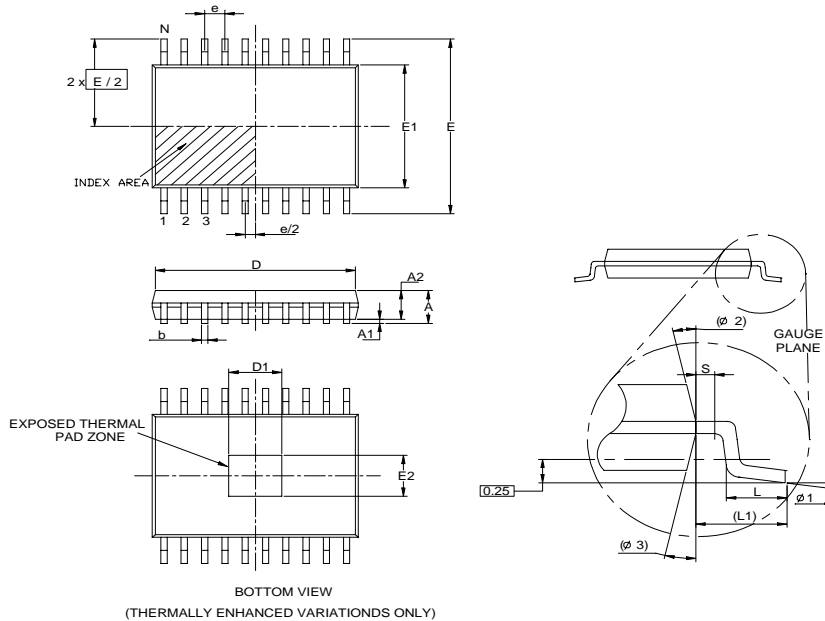
The thermal pad on the bottom of the APA4838 should be soldered down to a copper pad on the circuit board. Heat can be conducted away from the thermal pad through the copper plane to ambient. If the copper plane is not on the top surface of the circuit board, 8 to 10 vias of 13 mil or smaller in diameter should be used to thermally couple the thermal pad to the bottom plane. For good thermal conduction, the vias must be plated through and solder filled. The copper plane used to conduct heat away from the thermal pad should be as large as practical.

If the ambient temperature is higher than 25°C, a larger copper plane or forced-air cooling will be required to keep the APA4838 junction temperature below the thermal shutdown temperature (150°C).

In higher ambient temperature, higher airflow rate and/or larger copper area will be required to keep the IC out of thermal shutdown.

## Packaging Information

TSSOP/ TSSOP-P ( Reference JEDEC Registration MO-153)



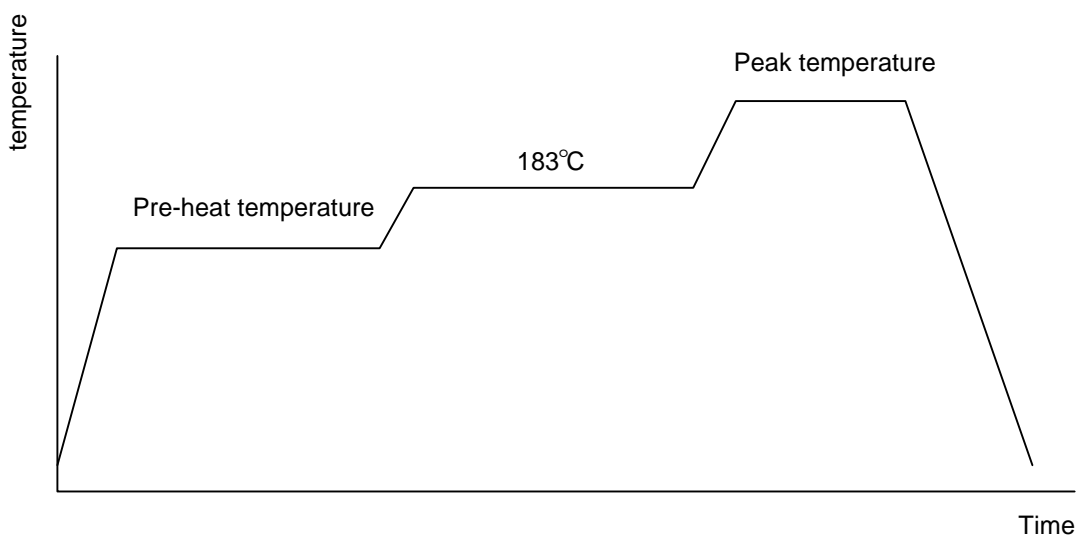
Dim	Millimeters		Inches	
	Min.	Max.	Min.	Max.
A		1.2		0.047
A1	0.00	0.15	0.000	0.006
A2	0.80	1.05	0.031	0.041
b	0.19	0.3	0.007	0.012
D	6.4 (N=20PIN)	6.6 (N=20PIN)	0.252 (N=20PIN)	0.260 (N=20PIN)
	7.7 (N=24PIN)	7.9 (N=24PIN)	0.303 (N=24PIN)	0.311 (N=24PIN)
	9.6 (N=28PIN)	9.8 (N=28PIN)	0.378 (N=28PIN)	0.386 (N=28PIN)
D1	4.2 BSC (N=20PIN)		0.165 BSC (N=20PIN)	
	4.7 BSC (N=24PIN)		0.188 BSC (N=24PIN)	
	3.8 BSC (N=28PIN)		0.150 BSC (N=28PIN)	
e	0.65 BSC		0.026 BSC	
E	6.40 BSC		0.252 BSC	
E1	4.30	4.50	0.169	0.177
E2	3.0 BSC (N=20PIN)		0.118 BSC (N=20PIN)	
	3.2 BSC (N=24PIN)		0.127 BSC (N=24PIN)	
	2.8 BSC (N=28PIN)		0.110 BSC (N=28PIN)	
L	0.45	0.75	0.018	0.030
L1	1.0 REF		0.039 REF	
R	0.09		0.004	
R1	0.09		0.004	
S	0.2		0.008	
$\phi 1$	0°	8°	0°	8°
$\phi 2$	12° REF		12° REF	

## Physical Specifications

Terminal Material	Solder-Plated Copper (Solder Material : 90/10 or 63/37 SnPb)
Lead Solderability	Meets EIA Specification RSI86-91, ANSI/J-STD-002 Category 3.

## Reflow Condition (IR/Convection or VPR Reflow)

Reference JEDEC Standard J-STD-020A APRIL 1999



## Classification Reflow Profiles

	Convection or IR/ Convection	VPR
Average ramp-up rate(183°C to Peak)	3°C/second max.	10 °C /second max.
Preheat temperature 125 ± 25°C)	120 seconds max	
Temperature maintained above 183°C	60 – 150 seconds	
Time within 5°C of actual peak temperature	10 –20 seconds	60 seconds
Peak temperature range	220 +5/-0°C or 235 +5/-0°C	215-219°C or 235 +5/-0°C
Ramp-down rate	6 °C /second max.	10 °C /second max.
Time 25°C to peak temperature	6 minutes max.	

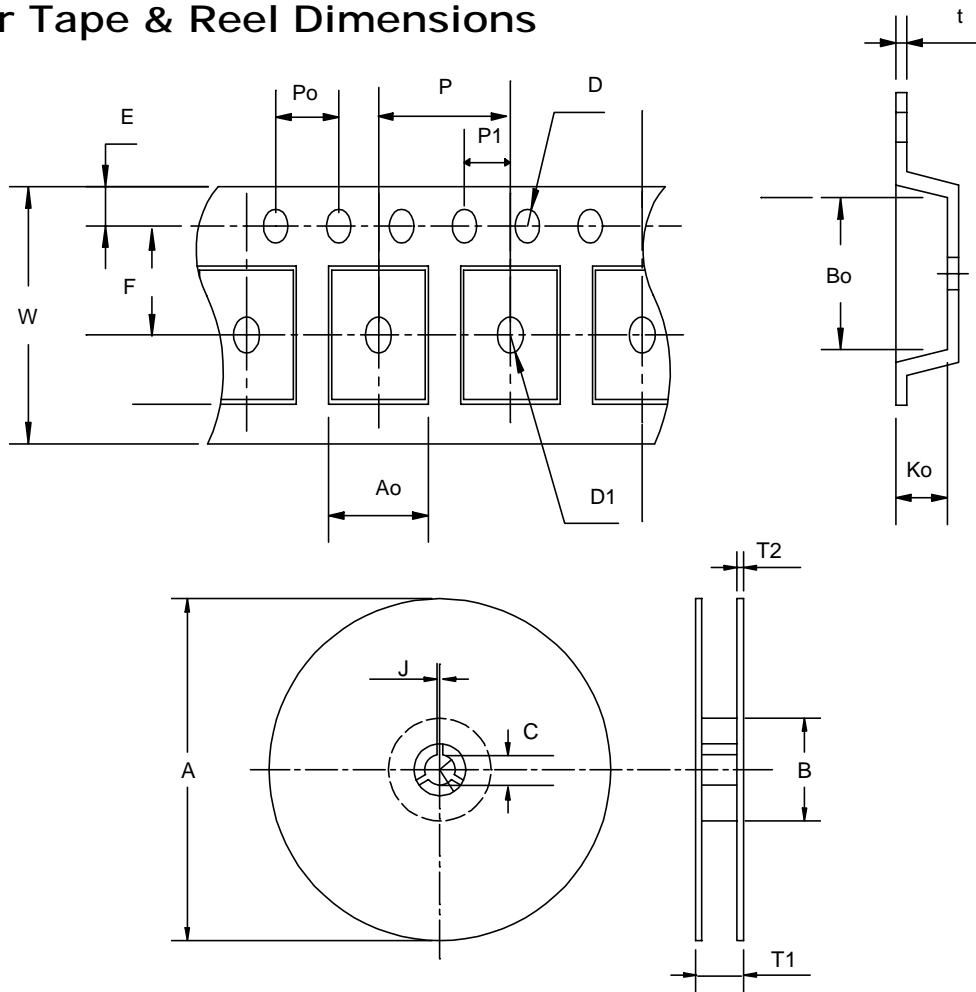
## Package Reflow Conditions

pkg. thickness ≥ 2.5mm and all bgas	pkg. thickness < 2.5mm and pkg. volume ≥ 350 mm <sup>3</sup>	pkg. thickness < 2.5mm and pkg. volume < 350mm <sup>3</sup>
Convection 220 +5/-0 °C		Convection 235 +5/-0 °C
VPR 215-219 °C		VPR 235 +5/-0 °C
IR/Convection 220 +5/-0 °C		IR/Convection 235 +5/-0 °C

## Reliability test program

Test item	Method	Description
SOLDERABILITY	MIL-STD-883D-2003	245°C , 5 SEC
HOLT	MIL-STD-883D-1005.7	1000 Hrs Bias @ 125 °C
PCT	JESD-22-B, A102	168 Hrs, 100 % RH , 121°C
TST	MIL-STD-883D-1011.9	-65°C ~ 150°C, 200 Cycles
ESD	MIL-STD-883D-3015.7	VHBM > 2KV, VMM > 200V
Latch-Up	JESD 78	10ms , $I_{tr} > 100mA$

## Carrier Tape & Reel Dimensions



Application	A	B	C	J	T1	T2	W	P	E
TSSOP- 28	330 ±1	100 ref	13 ±0.5	2 ±0.5	16.4 ±0.2	2 ±0.2	16 ±0.3	12 ±0.1	1.75±0.1
	F	D	D1	Po	P1	Ao	Bo	Ko	t
	7.5 ±0.1	1.5 +0.1	1.5 min	4.0 ±0.1	2.0 ±0.1	6.9 ±0.1	10.2 ±0.1	1.8 ±0.1	0.3±0.05

(mm)

## Cover Tape Dimensions

Application	Carrier Width	Cover Tape Width	Devices Per Reel
TSSOP- 28	16	21.3	2000

## Customer Service

**Anpec Electronics Corp.**

Head Office :

5F, No. 2 Li-Hsin Road, SBIP,  
Hsin-Chu, Taiwan, R.O.C.  
Tel : 886-3-5642000  
Fax : 886-3-5642050

Taipei Branch :

7F, No. 137, Lane 235, Pac Chiao Rd.,  
Hsin Tien City, Taipei Hsien, Taiwan, R. O. C.  
Tel : 886-2-89191368  
Fax : 886-2-89191369

This datasheet has been downloaded from:

[www.DatasheetCatalog.com](http://www.DatasheetCatalog.com)

Datasheets for electronic components.