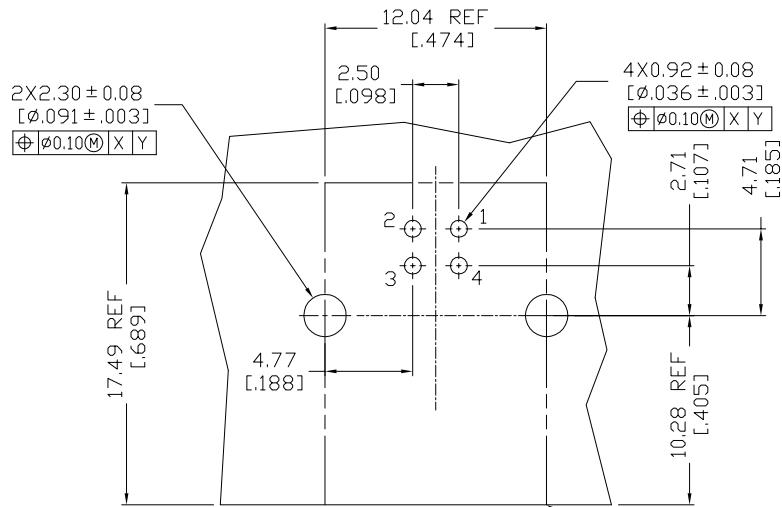
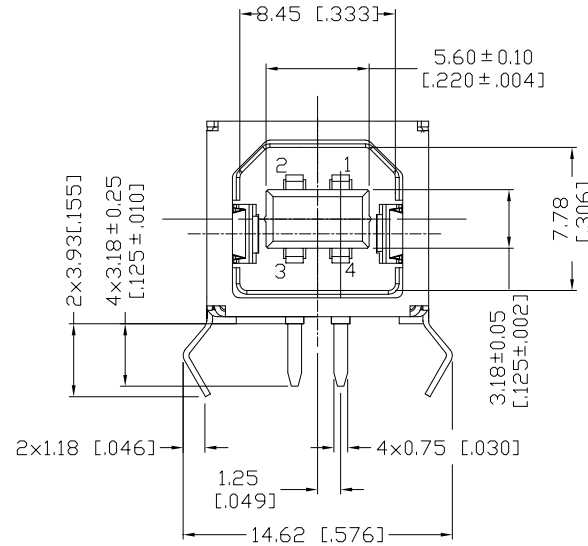
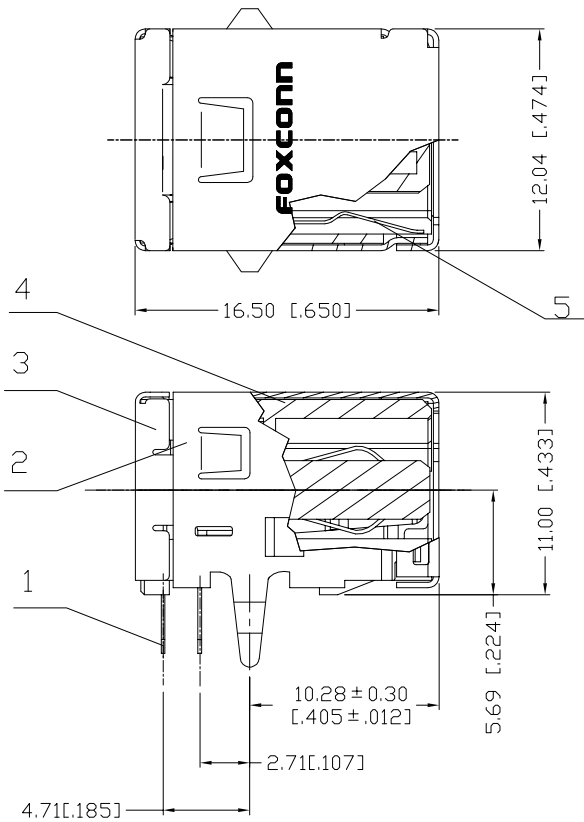
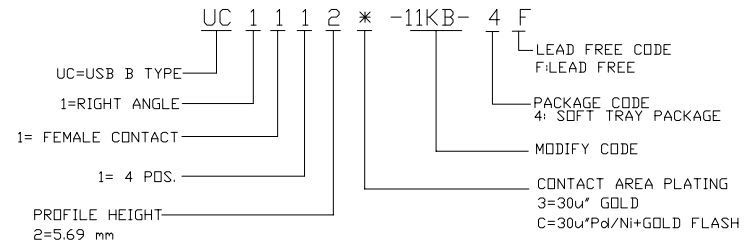


REV.	ECN. NO.	APPD.
A	BC-09-7029034	HAD GU
B	BC-14-0005739	Dean Zhang

NOTES:

- ELECTRICAL CHARACTERISTICS :
  - CONTACT CURRENT RATING : 1.5 AMPERE.
  - CONTACT RESISTANCE : 30 MILLIOHMS MAX.
  - DIELECTRIC WITHSTANDING VOLTAGE : 500 VAC MIN.
  - INSULATION RESISTANCE : 1000 MEGOHMS MIN.
- MECHANICAL CHARACTERISTICS :
  - CONNECTOR MATING FORCE : 35 N(3.5 KgF) MAX.
  - CONNECTOR UNMATING FORCE : 10~35 N(1.0~3.5 KgF).
  - DURABILITY: 1500 CYCLES.
  - OPERATING TEMPERATURE : -55°C TO +85°C
- RECOMMENDED P.C.B. THICKNESS: 1.57±0.05[.062±.002].
- PC BOARD LAYOUT DIMENSION TOLERANCE ±0.05[.002]
- RECOMMEND PROCESS AND TEMPERATURE: WAVE SOLDERING 270°C, 6 SECOND.
- THE CONNECTOR IS ROHS COMPLIANT.



TOP VIEW (COMPONENT SIDE)  
RECOMMENDED P.C.B. LAYOUT (REFERENCE) DEFAULT TOL: .XX±0.05[.002]

ITEM	DESC.	Q'TY	MATERIAL	TREATMENT	NOTES
5	SPRING	2	STAINLESS STEEL	NO PLATED BUT MUST BE CLEANED	
4	HOUSING	1	HIGH TEMPERATURE THERMAL PLASTIC. UL 94V-0	MOLDED COLOR: BLACK	
3	REAR SHELL	1	STEEL	NICKEL PLATED OVERALL	
2	FRONT SHELL	1	STEEL	NICKEL PLATED OVERALL	
1	CONTACT	4	COPPER ALLOY	GOLD FLASH & 30u*Pd/Ni AT CONTACT AREA, TIN ALLOY LEAD FREE PLATING AT TAIL NICKEL UNDERPLATING	UC1112C-11KB-4F
				30u* Au PLATING AT CONTACT AREA TIN ALLOY LEAD FREE PLATING AT TAIL NICKEL UNDERPLATING	UC11123-11KB-4F

X. ±	X*. ±	UNITS	mm [INCH]	NAME (INTENDED USE)	FOXCONN®
.X ±	.X* ±	MAT'L		CUSTOMER	FOXCONN INTERCONNECT TECHNOLOGY LIMITED
.XX ±0.38 [L.015]	.XX* ±		N/A	PART NO. (INTENDED USE)	CLASS: <input type="checkbox"/> CONFIDENTIAL <input type="checkbox"/> SECRET <input checked="" type="checkbox"/> GENERAL
.XXX ±	.XXX* ±	FINISH		UC1112*-11KB-4F	TITLE: USB SERIES B RECEPTACLE CONNECTOR
THESE DRAWINGS AND SPECIFICATIONS ARE THE PROPERTY OF FOXCONN INTERCONNECT TECHNOLOGY LIMITED AND SHALL NOT BE REPRODUCED, COPIED OR USED IN ANY MANNER WITHOUT THE PRIOR WRITTEN CONSENT OF FOXCONN INTERCONNECT TECHNOLOGY LIMITED.				APPD: Dean Zhang 2/12'14	DWG NO: 327-0000-1922
Q'TY			N/A	CHKD: F.H Shu 2/12'14	SCALE SHEET REV. N/A 1/1 B
				DR: L.T Ding 2/12'14	