

PRODUCT NO.	RoHS compliant
DSIC05LHGET	

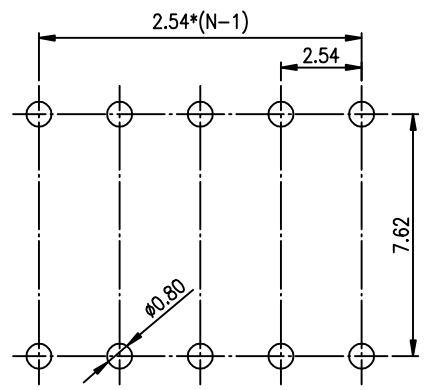
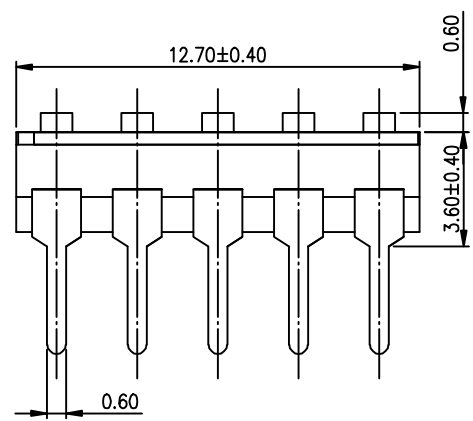
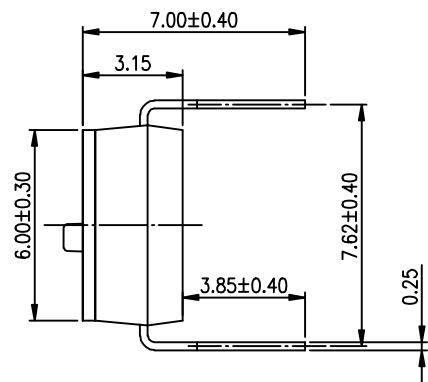
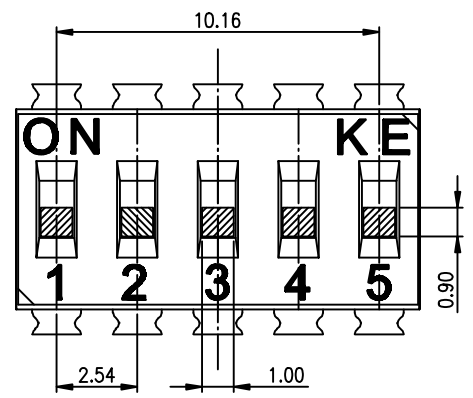
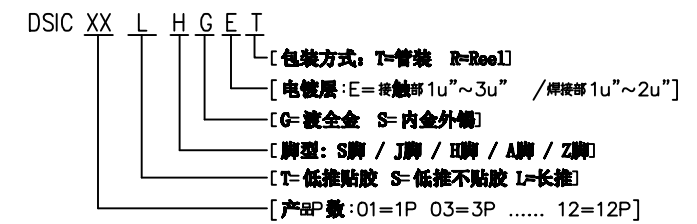
REV.	ECN NO.	DR	DATE

NOTES :

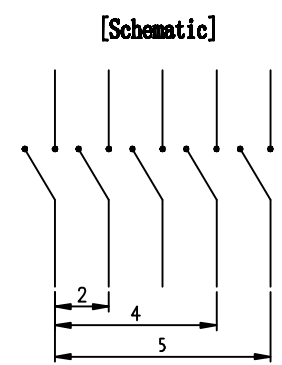
- 1.Specification:
  - 1>.Operating force:1000gf Max
  - 2>.Operating Temperature:-40° to+85°
  - 3>.Storage Temperature::-40° to+85°
  - 4>.Mechanical Life:3000cycles minimum
  - 5>.Electrical Life:2000cycles 25mA 24VDC

2. PLATING:
  - GOLD FLASH 1u"~2u" SOLDER TAIL,
  - 1u"~3u" GOLD PLATING ON THE CONTACT AREA,
  - WITH 50u" NICKEL UNDERPLATING OVERALL.

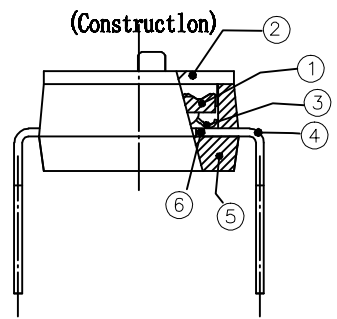
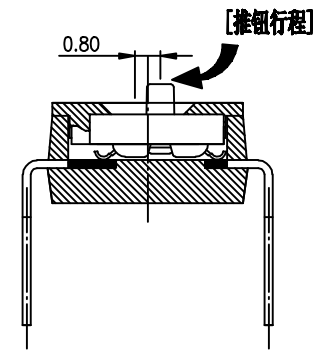
3. PART NUMBER DESCRIPTION



RECOMMENDED P.C.B. LAYOUT (TOP VIEW)



[Schematic]



(Construction)

Number	Part Name	Material	Finished	TOLERANCE UNLESS OTHERWISE SPECIFIED		INSPECTION COPY	DRAWING CHECK APPRO.	DONGGUAN KINGTEK INDUSTRIAL CO., LTD.				
				LINER	ANGLES							
①	Actuator	UL94 V0	White	.0 ± 0.25	0. ± 2'	PROJECTION	DESIGN kathy	TITLE BY DSIC SERIES PITCH 2.54mm				
②	Cover	UL94 V0	Black	.00 ± 0.15	.0 ± 1'							
③	Movable	Copper Alloy	1u"~3u"Gold	.000± 0.10	.00± 0.5'	2012/04/12	DRAWING	PRODUCT FAMILY DSIC SERIES				
④	Terminal	Brass	1u"~2u"Gold									
⑤	Base	UL94 V0	Black			PRAT NO.	DSIC05LHGET	FILE NO. DSIC05LHGET-A				
⑥	Terminal Contact	Brass	1u"~3u"Gold									
								SIZE A4	UNIT mm	SCALE 2 : 1	SHEET 1 OF 1	REV. A