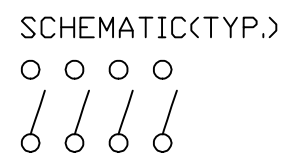
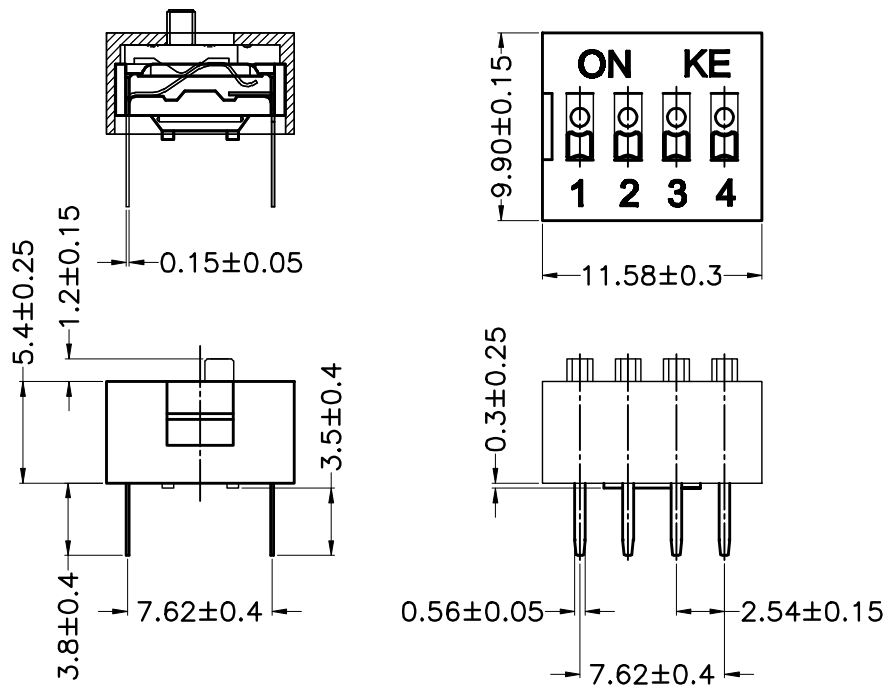


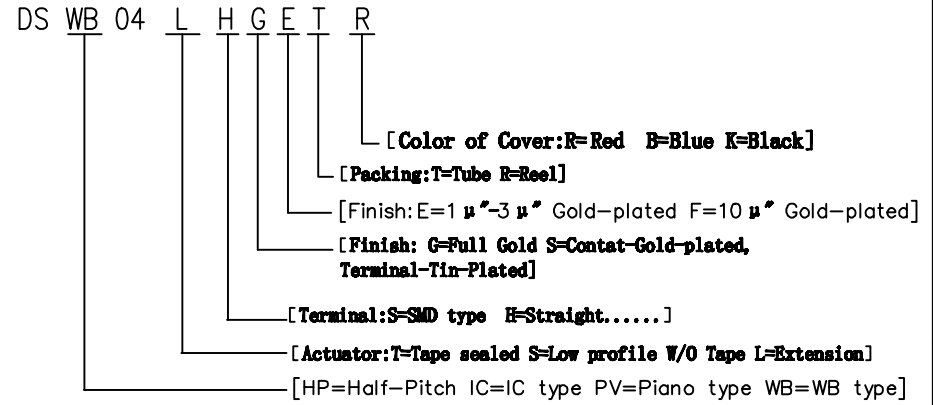
PRODUCT NO. DSWB04LHGETR	RoHS compliant
-----------------------------	----------------

REV.	ECN NO.	DR	DATE



- Note:**
- All dimensions are in millimeters.
 - General tolerance: $\pm 0.2\text{mm}$.
 - Material:
 - Base: UL94V-0 PBT Thermoplastic (Black).
 - Cover: UL94V-0 PBT Thermoplastic (Black/Red/Blue).
 - Actuators: UL94V-0 PBT Thermoplastic (White).
 - Contact plating: Gold plating over nickel.
 - Pitting material: Epoxy.
 - Electrical
 - Electrical: 2000 Operations per switch 24/VDC, 25mA.
 - Non-Switching Rating: 100mA, 50/VDC.
 - Switching Rating: 25mA, 24/VDC.
 - Contact Resistance: 100 m Ω Max. at initial.
 - Mechanical
 - Mechanical life: 2000 Operations per switch.
 - Stroke: 2.0mm.
 - Operation Temp: -20°C to 70°C.
 - Storage Temp: -40°C to 85°C.

6. PART NUMBER DESCRIPTION:



- 注意:**
- 波峰焊: 推荐焊锡温度在 $270^{\circ}\text{C} \pm 5^{\circ}\text{C}$, 浸锡时间为 5~6 秒钟。
 - 手工焊: 使用 30 瓦烙铁控制温度在 320°C , 焊接时间大约 2~3 秒钟。
 - 拨柄位置: 产品焊接时, 请将产品的拨柄置于 OFF 端, 能给予产品更好的接触性能。
 - 清洗过程: 清洗使用超音波方式, 能给予更好的效果。

TOLERANCE UNLESS OTHERWISE SPECIFIED		INSPECTION COPY	
LINER	ANGLES	PROJECTION	
.0 \pm 0.30	0. \pm 1'		TITLE
.00 \pm 0.20	.0 \pm 0.5'		BY DSWB SERIES PITCH 2.54mm
.000 \pm 0.10	.00 \pm	PRODUCT FAMILY DSWB SERIES	PRAT NO.
DESIGN	LU ER XIN	2013/07/02	DSWB04LHGETR
DRAWING			FILE NO. DSWB04LHGETR-A
CHECK			SIZE UNIT SCALE SHEET REV.
APPRO.			A4 mm FIT 1 OF 1 A