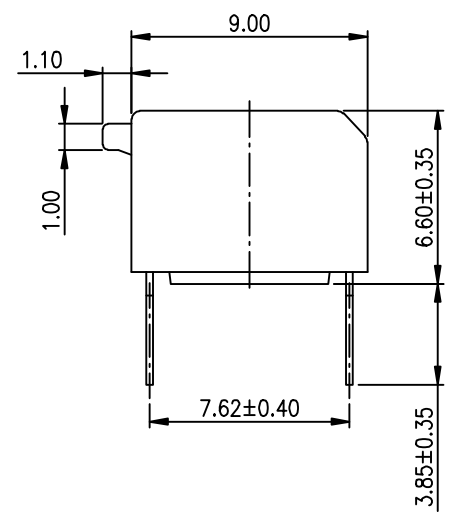
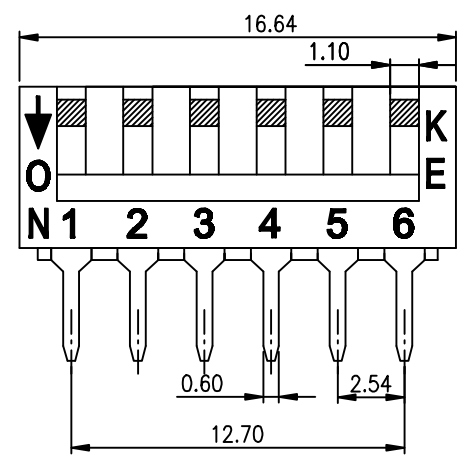


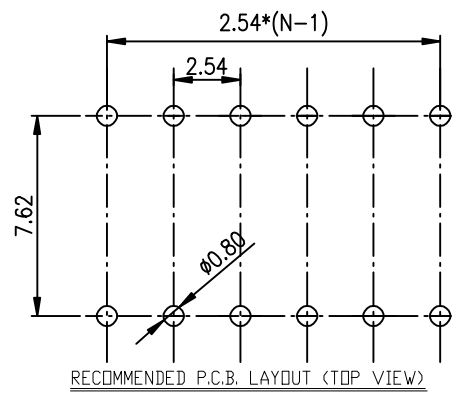
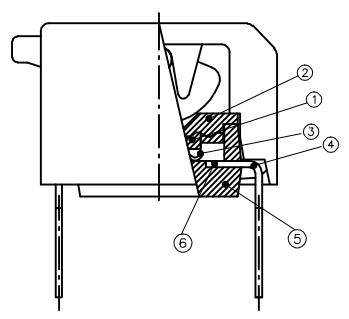
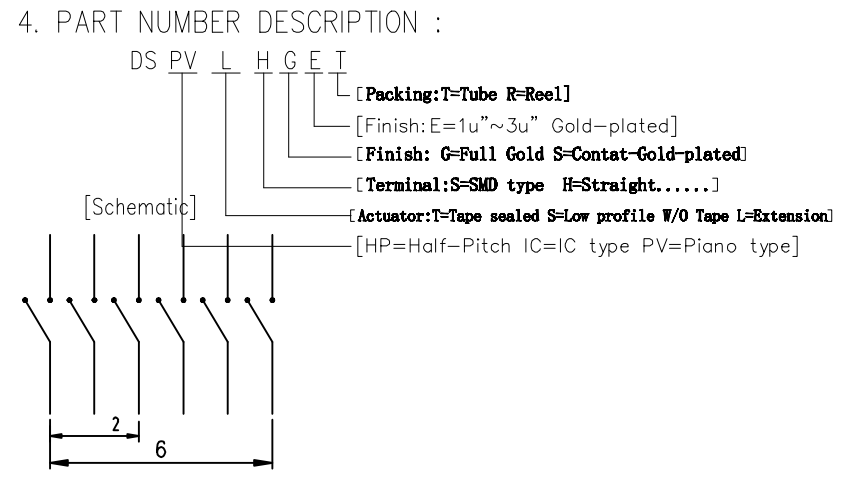
1		2		3		4		5		6	
PRODUCT NO.	DSPV06LHGET	RoHS compliant		REV.	ECN NO.	DR	DATE				

NOTES : 1.Specification:
 1>.Operating force:1000gf Max
 2>.Operating Temperature:-40° to+85°
 3>.Storage Temperature::-40° to+85°
 4>.Mechanical Life:3000cycles minimum
 5>.Electrical Life:2000cycles minimum



2. PLATING:
 GOLD FLASH 1u"~2u" SOLDERTAIL,
 1u"~3u" GOLD PLATING ON THE CONTACT AREA,
 WITH 50u" NICKEL UNDERPLATING OVERALL.

3. CONTACT RATING:
 1.SWITCHING:25mA at 24VDC
 2.NON-SWITCHING:100mA at 50VDC
 WITH 50u" NICKEL UNDERPLATING OVERALL.



Number	Part Name	Material	Finished	TOLERANCE UNLESS OTHERWISE SPECIFIED		INSPECTION COPY	PROJECTION	东莞市广誉实业有限公司 DongGuan Kingtek Industrial Co., Ltd.					
				LINER	ANGLES			FILE NO.	SIZE	UNIT	SCALE	SHEET	REV.
①	Actuator	UL94 V0	White	.0 ± 0.25	0. ± 2'	03/20/12'		TITLE					
②	Cover	UL94 V0	Black	BY DSPV SERIES PITCH 2.54mm									
③	Movable	Copper Alloy	1u"~3u" Gold	.00 ± 0.15	.0 ± 1'			PRODUCT FAMILY DSPV SERIES					
④	Terminal	Brass	1u"~2u" Gold	.000± 0.10	.00± 0.5'			PRAT NO. DSPV06LHGET					
⑤	Base	UL94 V0	Black	FILE NO. DSPV06LHGET-A									
⑥	Terminal Contact	Brass	1u"~3u" Gold	DRAWING				SIZE	UNIT	SCALE	SHEET	REV.	
				CHECK					A4	mm	1 : 1	1 OF 1	A
				APPRO.									