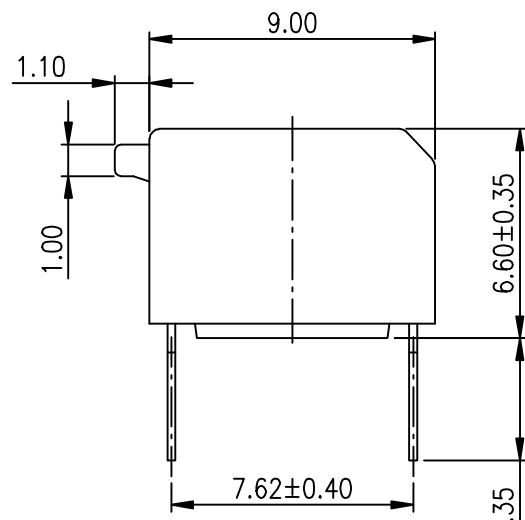
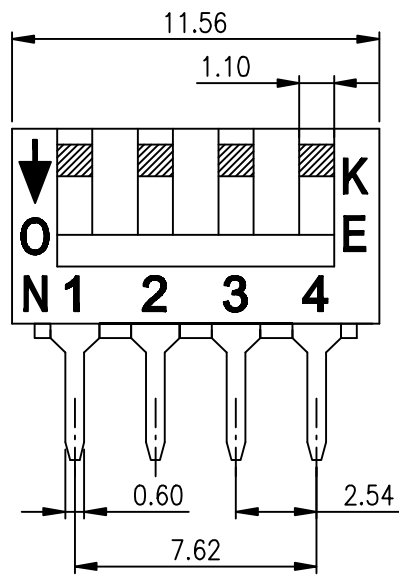


1		2		3		4		5		6	
PRODUCT NO.	RoHS compliant							REV.	ECN NO.	DR	DATE
DSPV04LHGET											

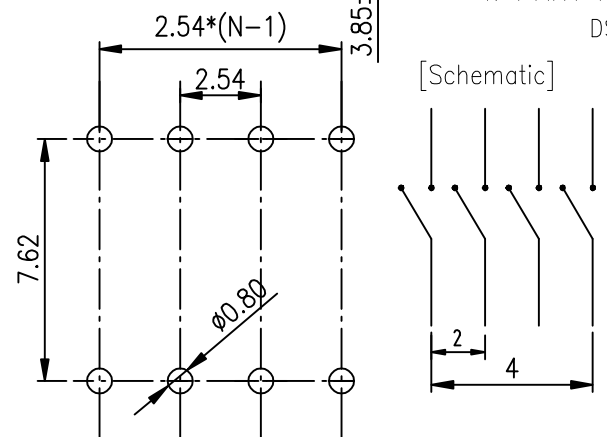


NOTES : 1.Specification:
 1>.Operating force:1000gf Max
 2>.Operating Temperature:-40° to+85°
 3>.Storage Temperature: -40° to+85°
 4>.Mechanical Life:3000cycles minimum
 5>.Electrical Life:2000cycles minimum

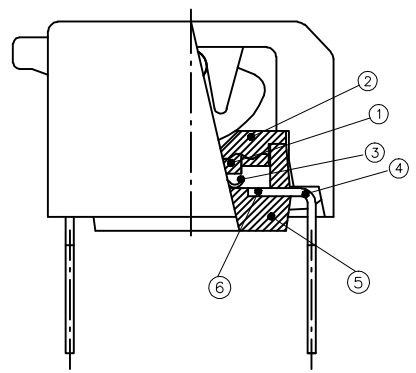
2. PLATING:
 GOLD FLASH 1u"~2u" SOLDER TAIL,
 1u"~3u" GOLD PLATING ON THE CONTACT AREA,
 WITH 50u" NICKEL UNDERPLATING OVERALL.

3. CONTACT RATING:
 1.SWITCHING:25mA at 24VDC
 2.NON-SWITCHING:100mA at 50VDC
 WITH 50u" NICKEL UNDERPLATING OVERALL.

4. PART NUMBER DESCRIPTION :



DS PV L H G E T
 [Packing:T=Tube R=Reel]
 [Finish:E=1u"~3u" Gold-plated]
 [Finish:G=Full Gold S=Contat-Gold-plated]
 [Terminal:S=SMD type H=Straight.....]
 [Actuator:T=Tape sealed S=Low profile W/O Tape L=Extension]
 [HP=Half-Pitch IC=IC type PV=Piano type]



Number	Part Name	Material	Finished	TOLERANCE UNLESS OTHERWISE SPECIFIED		INSPECTION COPY
				LINER	ANGLES	
①	Actuator	UL94 V0	White	.0 ± 0.25	0. ± 2'	PROJECTION
②	Cover	UL94 V0	Black	.00 ± 0.15	.0 ± 1'	
③	Movable	Copper Alloy	1u"~3u" Gold	.000± 0.10	.00± 0.5'	03/20/12'
④	Terminal	Brass	1u"~2u" Gold	DESIGN	kathy	
⑤	Base	UL94 V0	Black	DRAWING		
⑥	Terminal Contact	Brass	1u"~3u" Gold	CHECK		
				APPRO.		

ke 东莞市广普实业有限公司
 DongGuan Kingtek Industrial Co., Ltd.

TITLE
 BY DSPV SERIES PITCH 2.54mm
 PRODUCT FAMILY DSPV SERIES
 PRAT NO. DSPV04LHGET
 FILE NO. DSPV04LHGET-A

SIZE	UNIT	SCALE	SHEET	REV.
A4	mm	1 : 1	1 OF 1	A