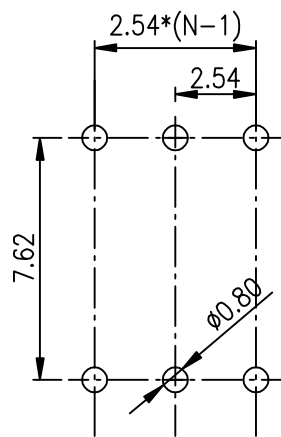
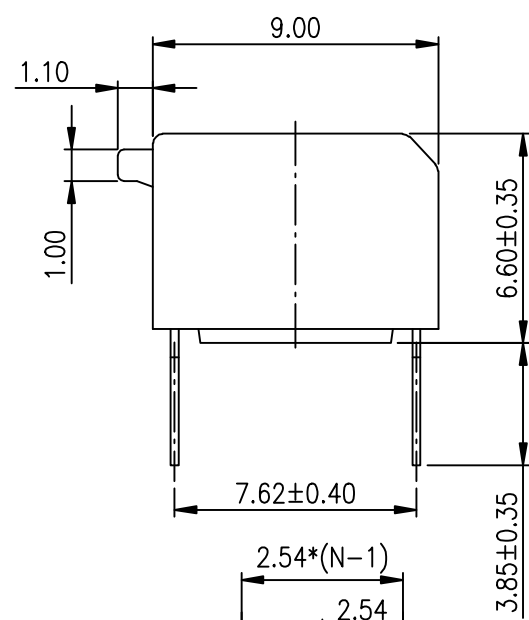
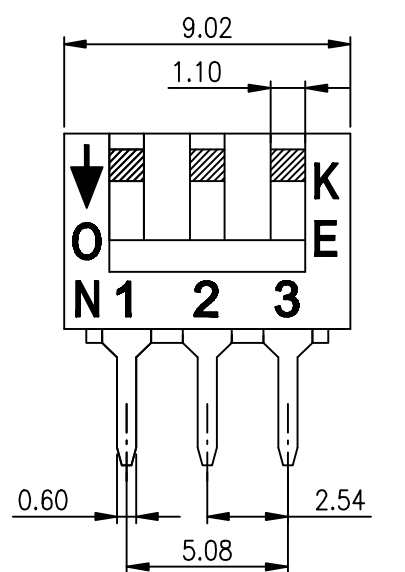
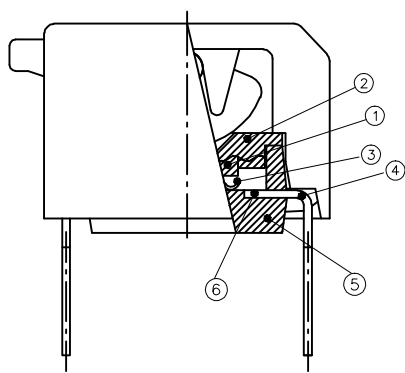


1		2		3		4		5		6	
PRODUCT NO.	RoHS compliant							REV.	ECN NO.	DR	DATE
DSPV03LHGET											



RECOMMENDED P.C.B. LAYOUT (TOP VIEW)



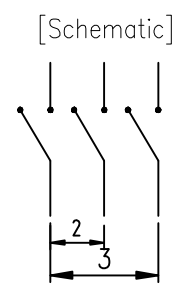
NOTES : 1.Specification:  
 1>.Operating force:1000gf Max  
 2>.Operating Temperature:-40° to+85°  
 3>.Storage Temperature: -40° to+85°  
 4>.Mechanical Life:3000cycles minimum  
 5>.Electrical Life:2000cycles minimum

2. PLATING:  
 GOLD FLASH 1u"~2u" SOLDERTAIL,  
 1u"~3u" GOLD PLATING ON THE CONTACT AREA,  
 WITH 50u" NICKEL UNDERPLATING OVERALL.

3. CONTACT RATING:  
 1.SWITCHING:25mA at 24VDC  
 2.NON-SWITCHING:100mA at 50VDC  
 WITH 50u" NICKEL UNDERPLATING OVERALL.

4. PART NUMBER DESCRIPTION :

DS PV L H G E T  
 [Packing:T=Tube R=Reel]  
 [Finish:E=1u"~3u" Gold-plated]  
 [Finish:G=Full Gold S=Contat-Gold-plated]  
 [Terminal:S=SMD type H=Straight.....]  
 [Actuator:T=Tape sealed S=Low profile W/O Tape L=Extension]  
 [HP=Half-Pitch IC=IC type PV=Piano type]



Number	Part Name	Material	Finished	TOLERANCE UNLESS OTHERWISE SPECIFIED		INSPECTION COPY
				LINER	ANGLES	
①	Actuator	UL94 V0	White	.0 ± 0.25	0. ± 2'	PROJECTION 
②	Cover	UL94 V0	Black	.00 ± 0.15	.0 ± 1'	
③	Movable	Copper Alloy	1u"~3u" Gold	.000± 0.10	.00± 0.5'	
④	Terminal	Brass	1u"~2u" Gold	DESIGN	kathy	03/20/12'
⑤	Base	UL94 V0	Black	DRAWING		
⑥	Terminal Contact	Brass	1u"~3u" Gold	CHECK		
				APPRO.		

**KE** 东莞市广普实业有限公司  
 DongGuan Kingtek Industrial Co., Ltd.

TITLE  
 BY DSPV SERIES PITCH 2.54mm  
 PRODUCT FAMILY DSPV SERIES  
 PRAT NO. DSPV03LHGET  
 FILE NO. DSPV03LHGET-A

SIZE	UNIT	SCALE	SHEET	REV.
A4	mm	1 : 1	1 OF 1	A

A  
B  
C  
D