

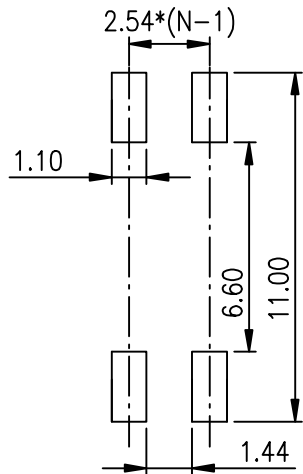
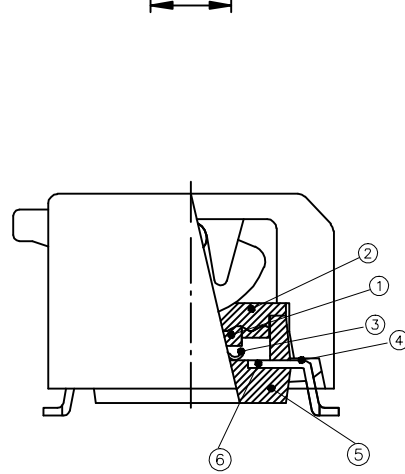
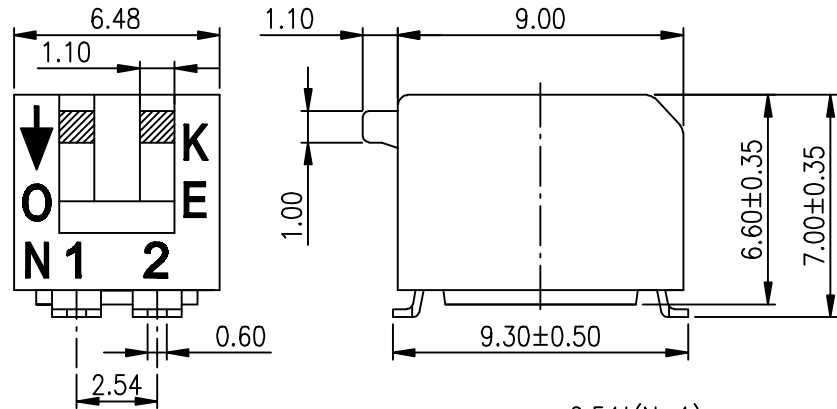
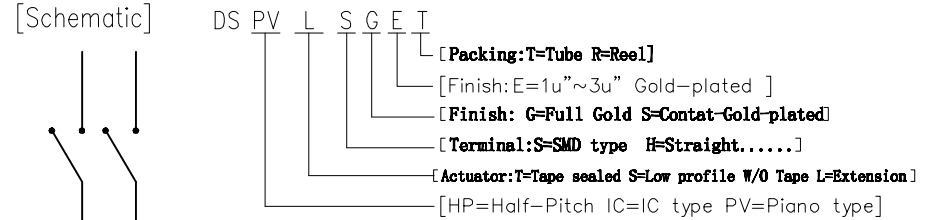
1		2		3		4		5		6	
PRODUCT NO.	RoHS compliant							REV.	ECN NO.	DR	DATE
DSPV02LSGET											

NOTES : 1.Specification:  
 1>.Operating force:1000gf Max  
 2>.Operating Temperature:-40° to+85°  
 3>.Storage Temperature:.-40° to+85°  
 4>.Mechanical Life:3000cycles minimum  
 5>.Electrical Life:2000cycles minimum

2. PLATING:  
 GOLD FLASH 1u"~2u" SOLDERTAIL,  
 1u"~3u" GOLD PLATING ON THE CONTACT AREA,  
 WITH 50u" NICKEL UNDERPLATING OVERALL.

3. CONTACT RATING:  
 1.SWITCHING:25mA at 24VDC  
 2.NON-SWITCHING:100mA at 50VDC  
 WITH 50u" NICKEL UNDERPLATING OVERALL.

4. PART NUMBER DESCRIPTION :



RECOMMENDED P.C.B. LAYOUT (TOP VIEW)

Number	Part Name	Material	Finished	TOLERANCE UNLESS OTHERWISE SPECIFIED		INSPECTION COPY	东莞市广普实业有限公司 DongGuan Kingtek Industrial Co., Ltd.
				LINER	ANGLES		
①	Actuator	UL94 V0	White	.0 ± 0.25	0. ± 2'	PROJECTION	TITLE
②	Cover	UL94 V0	Black	.00 ± 0.15	.0 ± 1'		BY DSPV SERIES PITCH 2.54mm
③	Movable	Copper Alloy	1u"~3u" Gold	.000± 0.10	.00± 0.5'	03/20/12'	PRODUCT FAMILY DSPV SERIES
④	Terminal	Brass	1u"~2u" Gold	DESIGN	kathy		PRAT NO. DSPV02LSGET
⑤	Base	UL94 V0	Black	DRAWING		FILE NO. DSPV02LSGET-A	
⑥	Terminal Contact	Brass	1u"~3u" Gold	CHECK		SIZE A4	UNIT mm
				APPRO.		SCALE 2 : 1	SHEET 1 OF 1
						REV. A	