

1		2		3		4		5		6	
PRODUCT NO.	RoHS compliant							REV.	ECN NO.	DR	DATE
DSPV01LHGET											

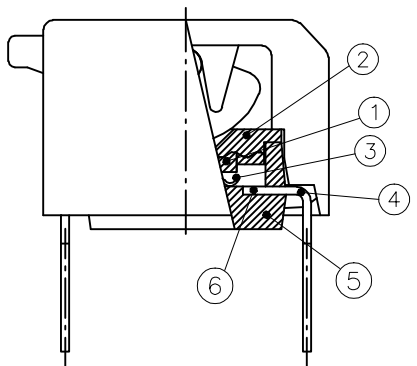
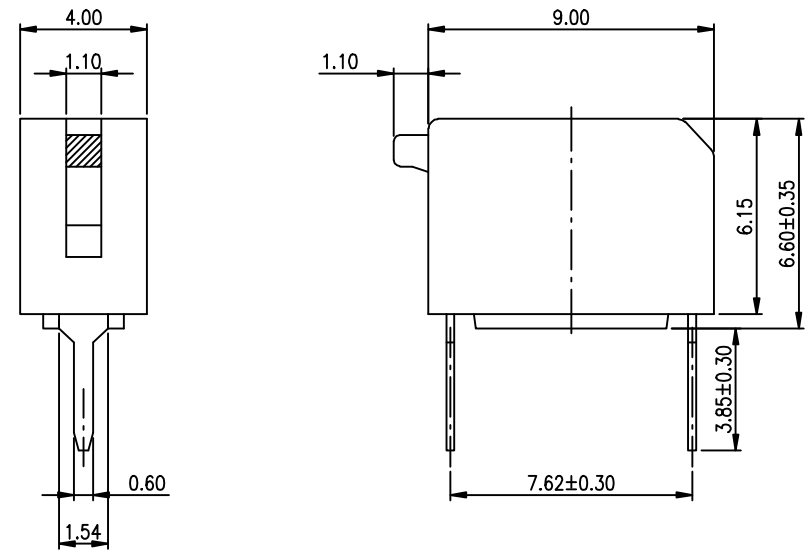
NOTES : 1.Specification:
 1>.Operating force:1000gf Max
 2>.Operating Temperature:-40° to+85°
 3>.Storage Temperature::-40° to+85°
 4>.Mechanical Life:3000cycles minimum
 5>.Electrical Life:2000cycles minimum

2. PLATING:
 GOLD FLASH 1u"~2u" SOLDERTAIL,
 1u"~3u" GOLD PLATING ON THE CONTACT AREA,
 WITH 50u" NICKEL UNDERPLATINGOVERALL.

3. CONTACT RATING:
 1.SWITCHING:25mA at 24VDC
 2.NON-SWITCHING:100mA at 50VDC
 WITH 50u" NICKEL UNDERPLATINGOVERALL.

4. PART NUMBER DESCRIPTION :

DS PV L H G E T
 [Packing:T=Tube R=Reel]
 [Finish:E=1u"~3u" Gold-plated]
 [Finish:G=Full Gold S=Contat-Gold-plated]
 [Terminal:S=SMD type H=Straight.....]
 [Actuator:T=Tape sealed S=Low profile W/O Tape L=Extension]
 [HP=Half-Pitch IC=IC type PV=Piano type]



RECOMMENDED P.C.B. LAYOUT (TOP VIEW)

Number	Part Name	Material	Finished	TOLERANCE UNLESS OTHERWISE SPECIFIED		INSPECTION COPY	东莞市广普实业有限公司 DongGuan Kingtek Industrial Co., Ltd.
				LINER	ANGLES		
①	Actuator	UL94 V0	White	.0 ± 0.25	0. ± 2'	PROJECTION 	TITLE
②	Cover	UL94 V0	Black	.00 ± 0.15	.0 ± 1'		BY DSPV SERIES PITCH 2.54mm
③	Movable	Copper Alloy	1u"~3u" Gold	.000± 0.10	.00± 0.5'		PRODUCT FAMILY DSPV SERIES
④	Terminal	Brass	1u"~2u" Gold	DESIGN	kathy	03/20/12'	PRAT NO. DSPV01LHGET
⑤	Base	UL94 V0	Black	DRAWING			FILE NO. DSPV01LHGET-A
⑥	Terminal Contact	Brass	1u"~3u" Gold	CHECK			SIZE UNIT SCALE SHEET REV.
				APPRO.			A4 mm 2 : 1 1 OF 1 A