

PRODUCT NO. DSIC08LHGET	RoHS compliant
----------------------------	----------------

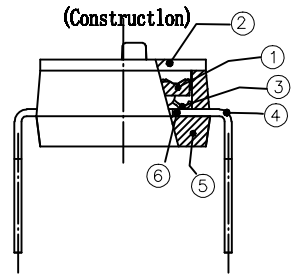
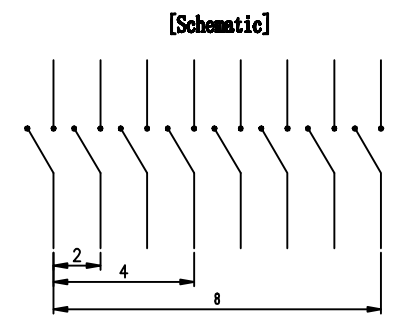
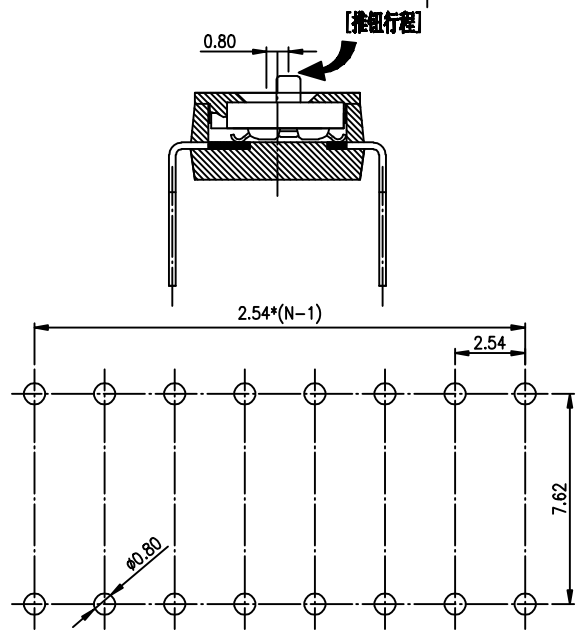
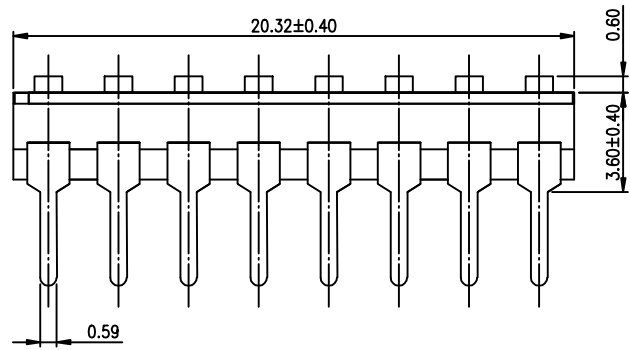
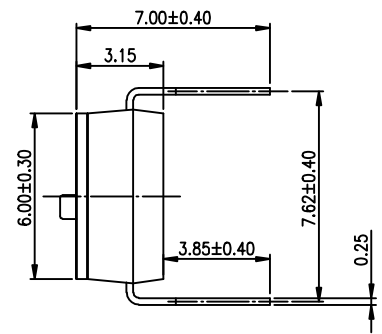
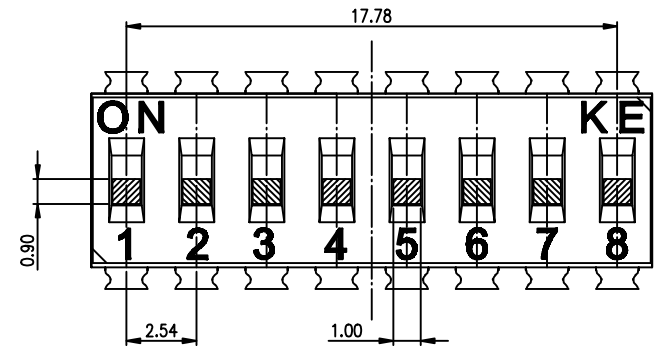
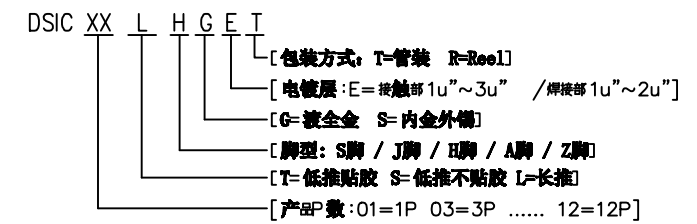
REV.	ECN NO.	DR	DATE
------	---------	----	------

NOTES :

- Specification:
  - Operating force: 1000gf Max
  - Operating Temperature: -40° to +85°
  - Storage Temperature: -40° to +85°
  - Mechanical Life: 3000cycles minimum
  - Electrical Life: 2000cycles 25mA 24VDC

- PLATING:
  - GOLD FLASH 1u"~2u" SOLDER TAIL,
  - 1u"~3u" GOLD PLATING ON THE CONTACT AREA,
  - WITH 50u" NICKEL UNDERPLATING OVERALL.

3. PART NUMBER DESCRIPTION



RECOMMENDED P.C.B. LAYOUT (TOP VIEW)

Number	Part Name	Material	Finished	TOLERANCE UNLESS OTHERWISE SPECIFIED	
				LINER	ANGLES
①	Actuator	UL94 V0	White	.0 ± 0.25	0. ± 2'
②	Cover	UL94 V0	Black	.00 ± 0.15	.0 ± 1'
③	Movable	Copper Alloy	1u"~3u"Gold	.000± 0.10	.00± 0.5'
④	Terminal	Brass	1u"~2u"Gold		
⑤	Base	UL94 V0	Black		
⑥	Terminal Contact	Brass	1u"~3u"Gold		

DESIGN	kathy	2012/04/12
DRAWING		
CHECK		
APPRO.		

INSPECTION	COPY
PROJECTION	

**KE** 东莞市广普实业有限公司  
DongGuan Kingtek Industrial Co., Ltd.

TITLE  
BY DSIC SERIES PITCH 2.54mm

PRODUCT FAMILY DSIC SERIES

PRAT NO. DSIC08LHGET

FILE NO. DSIC08LHGET-A

SIZE	UNIT	SCALE	SHEET	REV.
A4	mm	2 : 1	1 OF 1	A