

PRODUCT NO.	RoHS compliant
DSIC07LHGCT	

REV.	ECN NO.	DR	DATE

NOTES :

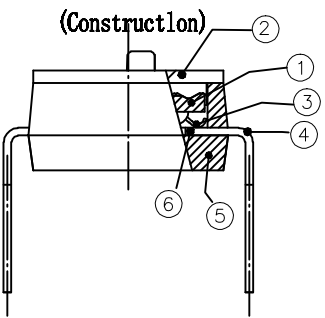
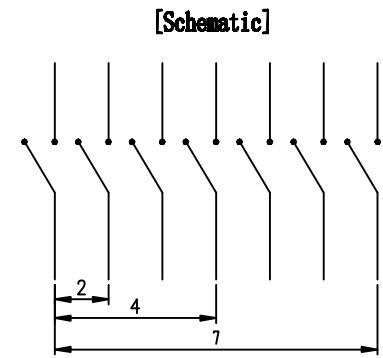
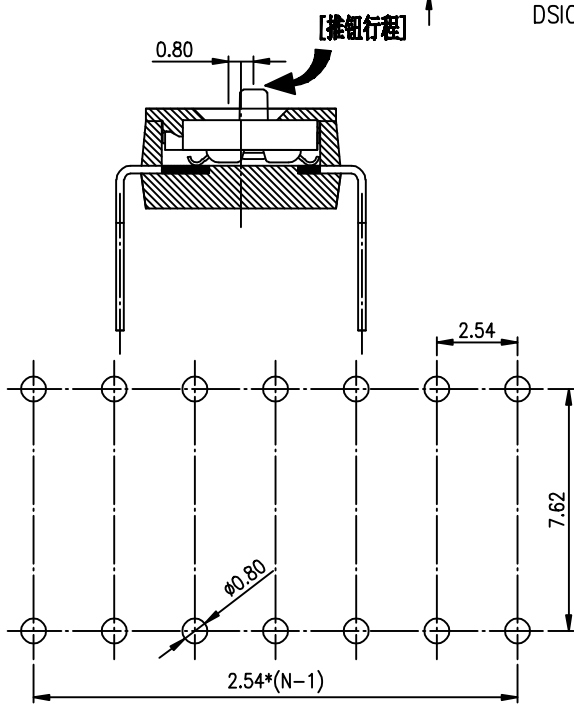
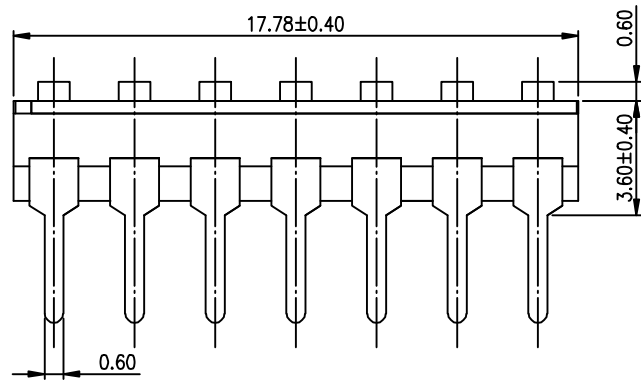
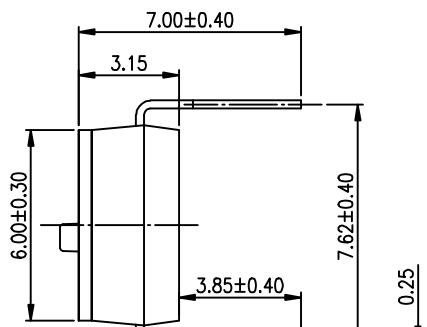
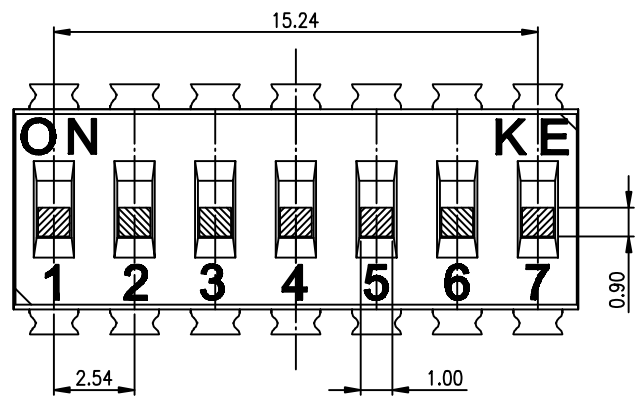
- Specification:
 - Operating force: 1000gf Max
 - Operating Temperature: -40° to +85°
 - Storage Temperature: -40° to +85°
 - Mechanical Life: 3000cycles minimum
 - Electrical Life: 2000cycles 25mA 24VDC

- PLATING:
 - GOLD FLASH 1u"~2u" SOLDER TAIL,
 - 1u"~3u" GOLD PLATING ON THE CONTACT AREA,
 - WITH 50u" NICKEL UNDERPLATING OVERALL.

3. PART NUMBER DESCRIPTION

DSIC XX L H G E T

- [包装方式: T=管装 R=Reel]
- [电镀层: E=接触部 1u"~3u" / 焊尾部 1u"~2u"]
- [G=镀金 S=内金外镍]
- [脚型: S脚 / J脚 / B脚 / A脚 / Z脚]
- [T=低推贴胶 S=低推不贴胶 L=长推]
- [产品数: 01=1P 03=3P 12=12P]



RECOMMENDED P.C.B. LAYOUT (TOP VIEW)

Number	Part Name	Material	Finished	TOLERANCE UNLESS OTHERWISE SPECIFIED	
				LINER	ANGLES
①	Actuator	UL94 V0	White	.0 ± 0.25	0. ± 2'
②	Cover	UL94 V0	Black	.00 ± 0.15	.0 ± 1'
③	Movable	Copper Alloy	1u"~3u"Gold	.000± 0.10	.00± 0.5'
④	Terminal	Brass	1u"~2u"Gold		
⑤	Base	UL94 V0	Black		
⑥	Terminal Contact	Brass	1u"~3u"Gold		

INSPECTION	COPY
PROJECTION	
DESIGN	kathy
DRAWING	
CHECK	
APPRO.	

TITLE				
BY DSIC SERIES PITCH 2.54mm				
PRODUCT FAMILY DSIC SERIES				
PRAT NO. DSIC07LHGCT				
FILE NO. DSIC07LHGCT-A				
SIZE	UNIT	SCALE	SHEET	REV.
A4	mm	2 : 1	1 OF 1	A