

PRODUCT NO.	RoHS compliant
DSIC04LHGET	

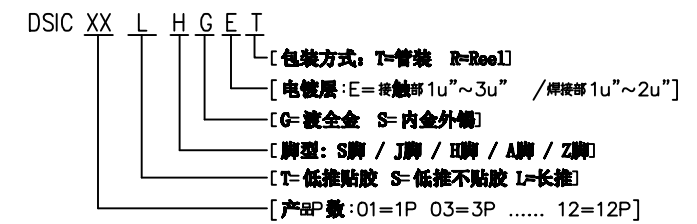
REV.	ECN NO.	DR	DATE

NOTES :

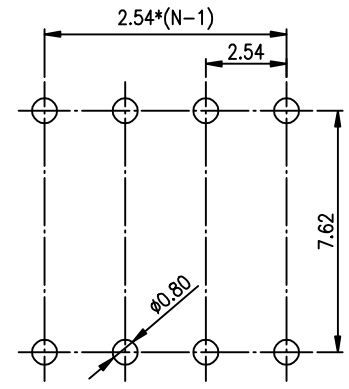
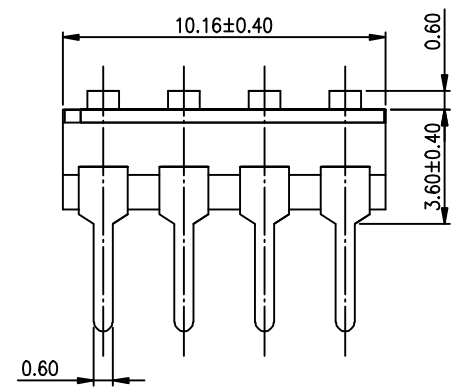
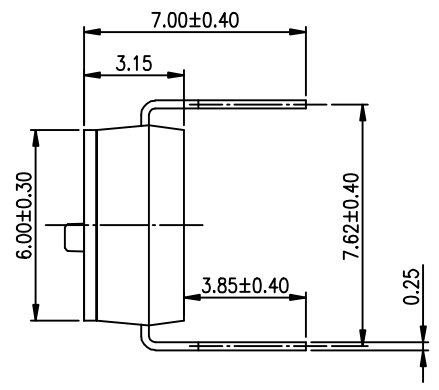
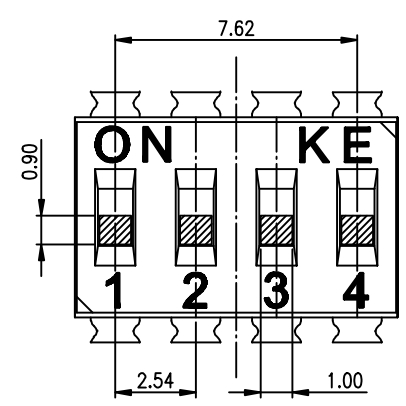
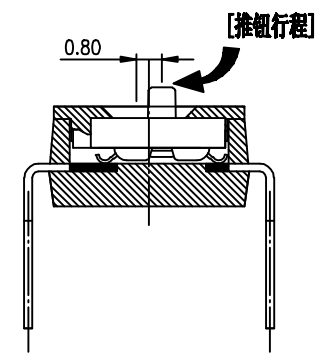
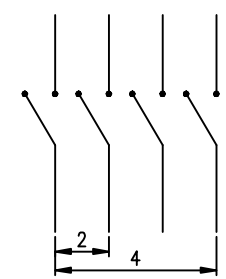
- 1.Specification:
 - 1>.Operating force:1000gf Max
 - 2>.Operating Temperature:-40° to+85°
 - 3>.Storage Temperature::-40° to+85°
 - 4>.Mechanical Life:3000cycles minimum
 - 5>.Electrical Life:2000cycles 25mA 24VDC

2. PLATING:
 - GOLD FLASH 1u"~2u"SOLDERTAIL,
 - 1u"~3u" GOLD PLATING ON THE CONTACT AREA,
 - WITH 50u" NICKEL UNDERPLATINGOVERALL.

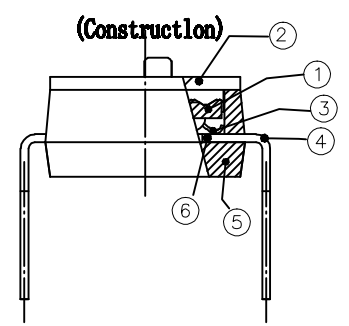
3. PART NUMBER DESCRIPTION



[Schematic]



RECOMMENDED P.C.B. LAYOUT (TOP VIEW)



Number	Part Name	Material	Finished	TOLERANCE UNLESS OTHERWISE SPECIFIED		INSPECTION COPY	东莞市广普实业有限公司 DongGuan Kingtek Industrial Co., Ltd.
				LINER	ANGLES		
①	Actuator	UL94 V0	White	.0 ± 0.25	0. ± 2'	PROJECTION	TITLE
②	Cover	UL94 V0	Black	.00 ± 0.15	.0 ± 1'		BY DSIC SERIES PITCH 2.54mm
③	Movable	Copper Alloy	1u"~3u"Gold	.000± 0.10	.00± 0.5'		PRODUCT FAMILY DSIC SERIES
④	Terminal	Brass	1u"~2u"Gold	DESIGN	kathy	2012/04/12	PRAT NO. DSIC04LHGET
⑤	Base	UL94 V0	Black	DRAWING			FILE NO. DSIC04LHGET-A
⑥	Terminal Contact	Brass	1u"~3u"Gold	CHECK			SIZE UNIT SCALE SHEET REV.
				APPRO.			A4 mm 2 : 1 1OF 1 A