

|             |                |
|-------------|----------------|
| PRODUCT NO. | RoHS compliant |
| DSHP10TJGET |                |

|      |         |    |      |
|------|---------|----|------|
| REV. | ECN NO. | DR | DATE |
|      |         |    |      |

NOTES :1.Specification:

- 1>.Operating force:1000gf Max
- 2>.Operating Temperature:-40° to+85°
- 3>.Storage Temperature: -40° to+85°
- 4>.Electrical life Life:2000cycles 25mA 24VDC
- 5>.Mechanical Life:3000cycles Operations

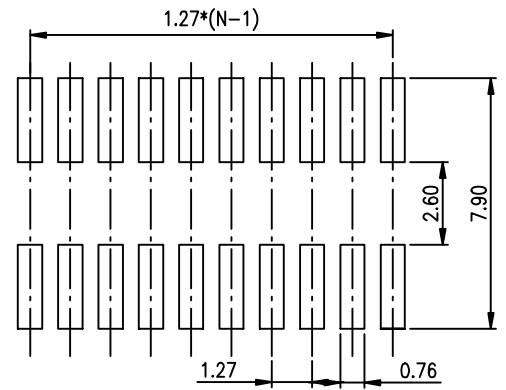
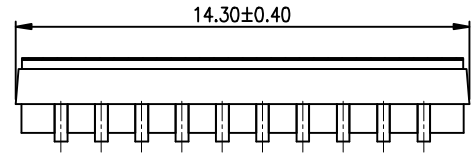
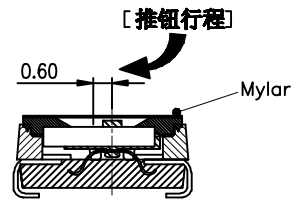
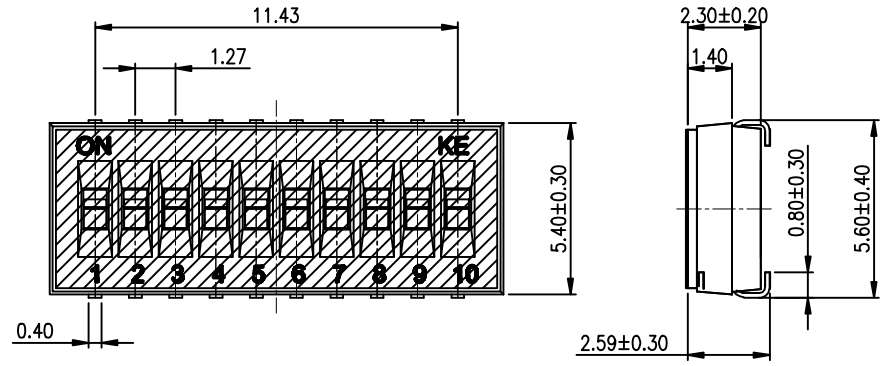
2. PLATING:

GOLD FLASH 1u"~2u" SOLDER TAIL,  
1u"~3u" GOLD PLATING ON THE CONTACT AREA,  
WITH 50u" NICKEL UNDERPLATING OVERALL.

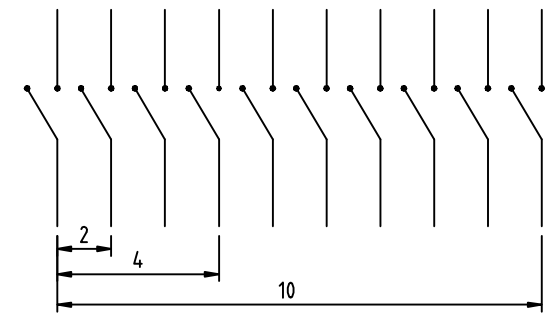
3. PART NUMBER DESCRIPTION :

DSHP XX T J G E T

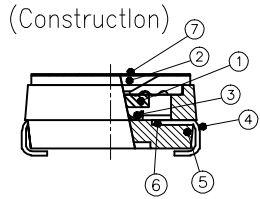
- [包装方式: T=管装 R=Reel]
- [电镀层: E=接触部 1u"~3u" 焊脚部 1u"~2u"]
- [G=镀全金 S=内镀金(接触部)外镀锡(焊脚部)]
- [脚型: S脚 / J脚 / H脚 / A脚 / Z脚]
- [T=低推贴胶 S=低推不贴胶 L=长推]
- [产品数: 02=2P 04=4P ..... 08=8P 10=10P]



RECOMMENDED P.C.B. LAYOUT (TOP VIEW)



[Schematic]



| Number | Part Name        | Material         | Finished     |
|--------|------------------|------------------|--------------|
| ①      | Actuator         | UL94 V0          | White        |
| ②      | Cover            | UL94 V0          | Black        |
| ③      | Movable          | Beryllium Copper | 1u"~3u" Gold |
| ④      | Terminal         | Brass            | 1u"~2u" Gold |
| ⑤      | Base             | UL94 V0          | Black        |
| ⑥      | Terminal Contact | Brass            | 1u"~3u" Gold |
| ⑦      | Mylar            | UL94 V0          | 0.05mm       |

|                                      |                 |
|--------------------------------------|-----------------|
| TOLERANCE UNLESS OTHERWISE SPECIFIED | INSPECTION COPY |
| LINER                                | ANGLES          |
| .0 ± 0.25                            | 0. ± 2'         |
| .00 ± 0.15                           | .0 ± 1'         |
| .000± 0.10                           | .00± 0.5'       |
| DESIGN                               | 03/20/12'       |
| DRAWING                              |                 |
| CHECK                                |                 |
| APPRO.                               |                 |

|                                      |      |       |        |
|--------------------------------------|------|-------|--------|
|                                      |      |       |        |
| TITLE<br>BY DSHP SERIES PITCH 1.27mm |      |       |        |
| PRODUCT FAMILY DSHP SERIES           |      |       |        |
| PRAT NO. DSHP10TJGET                 |      |       |        |
| FILE NO. DSHP10TJGET-A               |      |       |        |
| SIZE                                 | UNIT | SCALE | SHEET  |
| A4                                   | mm   | 2 : 1 | 1 OF 1 |
| REV.                                 | A    |       |        |