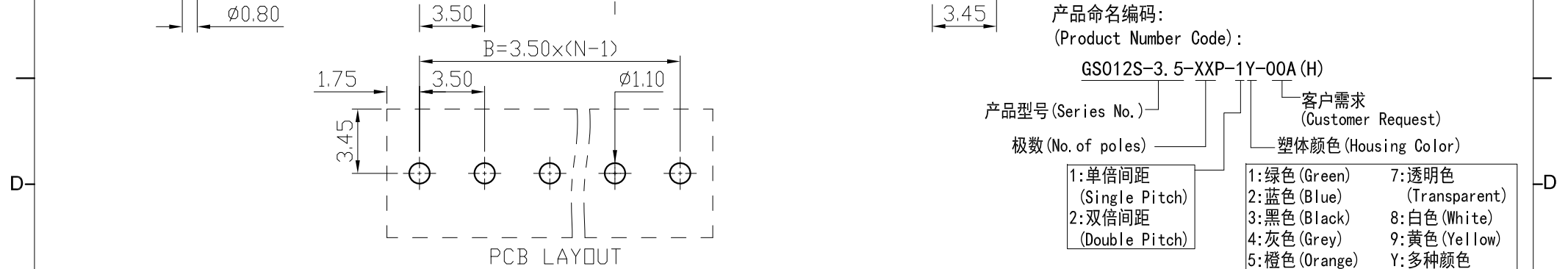
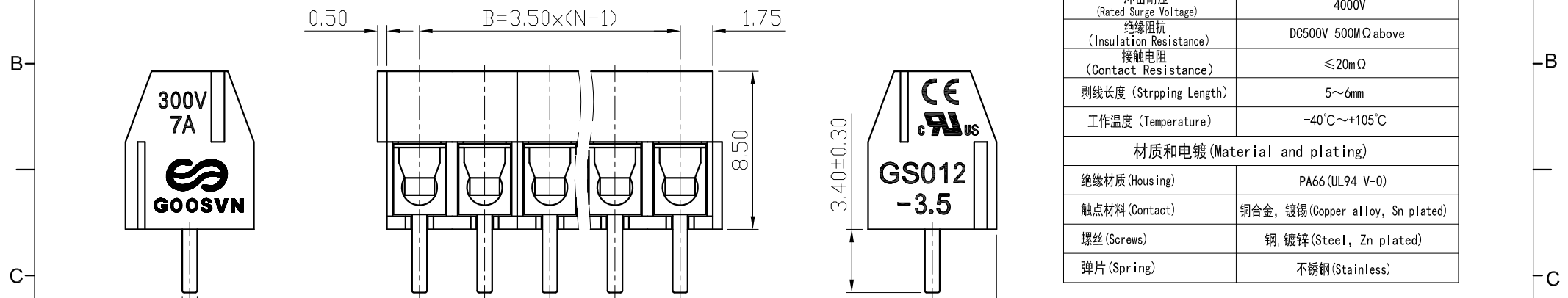
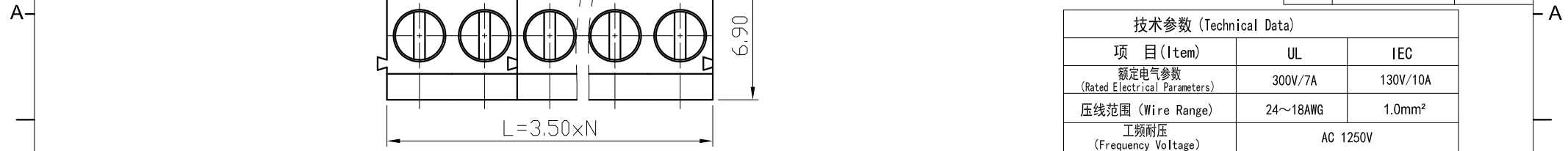


1 2 3 4 5 6 7 8

版次 (Version)	变更内容 (Rev. Content)	变更者 (Change Person)



技术参数 (Technical Data)		
项目 (Item)	UL	IEC
额定电气参数 (Rated Electrical Parameters)	300V/7A	130V/10A
压线范围 (Wire Range)	24~18AWG	1.0mm ²
工频耐压 (Frequency Voltage)	AC 1250V	
冲击耐压 (Rated Surge Voltage)	4000V	
绝缘阻抗 (Insulation Resistance)	DC500V 500MΩ above	
接触电阻 (Contact Resistance)	≤20mΩ	
剥线长度 (Stripping Length)	5~6mm	
工作温度 (Temperature)	-40℃~+105℃	
材质和电镀 (Material and plating)		
绝缘材质 (Housing)	PA66 (UL94 V-0)	
触点材料 (Contact)	铜合金, 镀锡 (Copper alloy, Sn plated)	
螺丝 (Screws)	钢, 镀锌 (Steel, Zn plated)	
弹片 (Spring)	不锈钢 (Stainless)	

产品命名编码:

(Product Number Code):

GS012S-3.5-XXP-1Y-00A(H)

产品型号 (Series No.)

客户需求 (Customer Request)

极数 (No. of poles)

塑体颜色 (Housing Color)

- 1: 单倍间距 (Single Pitch)
- 2: 双倍间距 (Double Pitch)

- 7: 透明色 (Transparent)
- 8: 白色 (White)
- 9: 黄色 (Yellow)
- Y: 多种颜色 (Mixed Color)

P=3.5mm, N为孔位数 (N for hole digits), 有效位数为 (Significant Digits): 02P, 3P~24P

N	02P	03P	04P	05P	06P	07P	08P	09P	10P	11P	12P	13P
L	7.00	10.50	14.00	17.50	21.00	24.50	28.00	31.50	35.00	38.50	42.00	45.50
B	3.50	7.00	10.50	14.00	17.50	21.00	24.50	28.00	31.50	35.00	38.50	42.00
N	14P	15P	16P	17P	18P	19P	20P	21P	22P	23P	24P	
L	49.00	52.50	56.00	59.50	63.00	66.50	70.00	73.50	77.00	80.50	84.00	
B	45.50	49.00	52.50	56.00	59.50	63.00	66.50	70.00	73.50	77.00	80.50	

宁波高胜电子有限公司
NINGBO GOOSVN ELECTRONIC CO.,LTD

公差范围 (Tolerance Range)	
150~	±1.50
60~150	±1.00
30~60	±0.60
6~30	±0.40
0~6	±0.25
角度 (Angle)	X ±2° XX ±1°

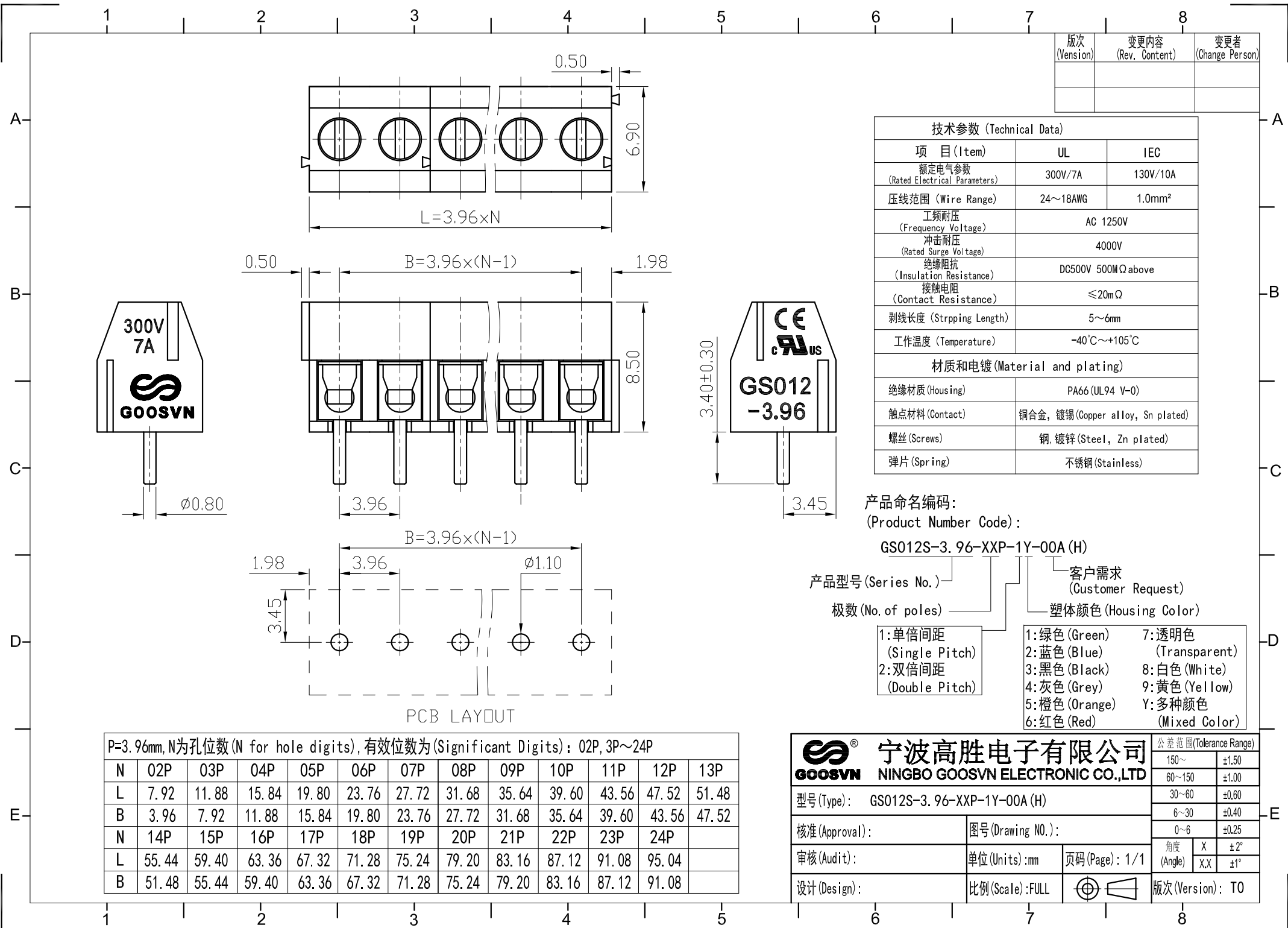
型号 (Type): GS012S-3.5-XXP-1Y-00A(H)

核准 (Approval): _____ 图号 (Drawing NO.): _____

审核 (Audit): _____ 单位 (Units): mm 页码 (Page): 1/1

设计 (Design): _____ 比例 (Scale): FULL 版次 (Version): T0

1 2 3 4 5 6 7 8



版次 (Version)	变更内容 (Rev. Content)	变更者 (Change Person)

技术参数 (Technical Data)		
项目 (Item)	UL	IEC
额定电气参数 (Rated Electrical Parameters)	300V/7A	130V/10A
压线范围 (Wire Range)	24~18AWG	1.0mm ²
工频耐压 (Frequency Voltage)	AC 1250V	
冲击耐压 (Rated Surge Voltage)	4000V	
绝缘阻抗 (Insulation Resistance)	DC500V 500MΩ above	
接触电阻 (Contact Resistance)	≤20mΩ	
剥线长度 (Stripping Length)	5~6mm	
工作温度 (Temperature)	-40°C~+105°C	
材质和电镀 (Material and plating)		
绝缘材质 (Housing)	PA66 (UL94 V-0)	
触点材料 (Contact)	铜合金, 镀锡 (Copper alloy, Sn plated)	
螺丝 (Screws)	钢, 镀锌 (Steel, Zn plated)	
弹片 (Spring)	不锈钢 (Stainless)	

产品命名编码:

(Product Number Code):

GS012S-3.96-XXP-1Y-00A (H)

产品型号 (Series No.)

客户需求
(Customer Request)

极数 (No. of poles)

塑体颜色 (Housing Color)

- 1: 单倍间距 (Single Pitch)
- 2: 双倍间距 (Double Pitch)

- 1: 绿色 (Green)
- 2: 蓝色 (Blue)
- 3: 黑色 (Black)
- 4: 灰色 (Grey)
- 5: 橙色 (Orange)
- 6: 红色 (Red)
- 7: 透明色 (Transparent)
- 8: 白色 (White)
- 9: 黄色 (Yellow)
- Y: 多种颜色 (Mixed Color)

P=3.96mm, N为孔位数 (N for hole digits), 有效位数为 (Significant Digits): 02P, 3P~24P

N	02P	03P	04P	05P	06P	07P	08P	09P	10P	11P	12P	13P
L	7.92	11.88	15.84	19.80	23.76	27.72	31.68	35.64	39.60	43.56	47.52	51.48
B	3.96	7.92	11.88	15.84	19.80	23.76	27.72	31.68	35.64	39.60	43.56	47.52
N	14P	15P	16P	17P	18P	19P	20P	21P	22P	23P	24P	
L	55.44	59.40	63.36	67.32	71.28	75.24	79.20	83.16	87.12	91.08	95.04	
B	51.48	55.44	59.40	63.36	67.32	71.28	75.24	79.20	83.16	87.12	91.08	

宁波高胜电子有限公司 NINGBO GOOSVN ELECTRONIC CO.,LTD	公差范围 (Tolerance Range)	
	150~	±1.50
型号 (Type): GS012S-3.96-XXP-1Y-00A (H)	60~150	±1.00
	30~60	±0.60
核准 (Approval):	6~30	±0.40
	0~6	±0.25
审核 (Audit):	角度 (Angle)	X ±2°
	XX	±1°
设计 (Design):	单位 (Units): mm	页码 (Page): 1/1
	比例 (Scale): FULL	版次 (Version): T0