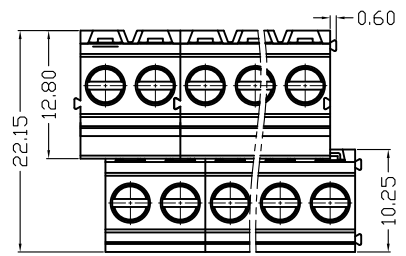


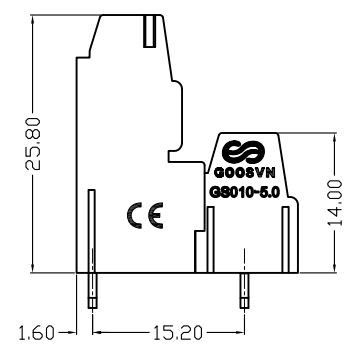
1 2 3 4 5 6 7 8

| | | |
|-----------------|------------------------|------------------------|
| 版次 (Version) | 变更内容 (Rev. Content) | 变更者 (Change Person) |
| | | |
| | | |

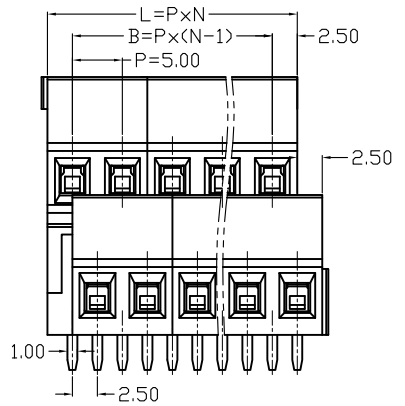
A



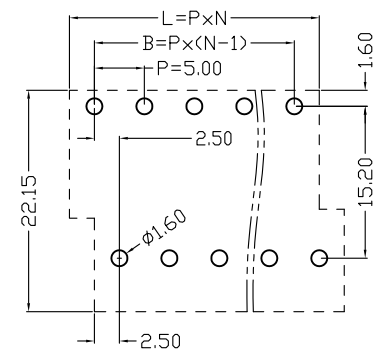
B



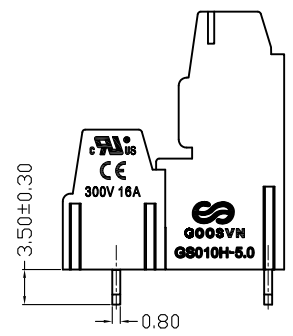
C



D



PCB LAYOUT



| 技术参数 (Technical Data) | | |
|---|-----------------------------------|--------------------|
| 项目 (Item) | UL | IEC |
| 额定电气参数 (Rated Electrical Parameters) | 300V/16A | 250V/18A |
| 压线范围 (Wire Range) | 24~12AWG | 2.5mm ² |
| 工频耐压 (Frequency Voltage) | AC 2500V | |
| 冲击耐压 (Rated Surge Voltage) | 4000V | |
| 绝缘阻抗 (Insulation Resistance) | DC500V 500MΩ above | |
| 接触电阻 (Contact Resistance) | ≤20mΩ | |
| 剥线长度 (Stripping Length) | 7mm | |
| 工作温度 (Temperature) | -40°C~+105°C | |
| 材质和电镀 (Material and plating) | | |
| 绝缘材质 (Housing) | PA66 (UL94 V-0) | |
| 触点材料 (Contact) | 铜合金, 镀锡 (Copper alloy, Sn plated) | |
| 螺丝 (Screws) | 钢, 镀锌 (Steel, Zn plated) | |
| 方盒 (Cage) | 铜合金, 镀镍 (Copper alloy, Ni plated) | |

产品命名编码:

(Product Number Code):

GS010B-5.0-2*XXP-1Y-00A (H)

产品型号 (Series No.)

客户需求
(Customer Request)

极数 (No. of poles)

塑体颜色 (Housing Color)

- 1: 单倍间距 (Single Pitch)
- 2: 双倍间距 (Double Pitch)

- 1: 绿色 (Green)
- 2: 蓝色 (Blue)
- 3: 黑色 (Black)
- 4: 灰色 (Grey)
- 5: 橙色 (Orange)
- 6: 红色 (Red)
- 7: 透明色 (Transparent)
- 8: 白色 (White)
- 9: 黄色 (Yellow)
- Y: 多种颜色 (Mixed Color)

P=5.0mm, N为孔位数 (N for hole digits), 有效位数为 (Significant Digits): 2*02P~2*XXP

| N | 2*02P | 2*03P | 2*04P | 2*05P | 2*06P | 2*07P | 2*08P | 2*09P | 2*10P | 2*11P | 2*12P | 2*13P |
|---|-------|-------|-------|-------|-------|-------|--------|--------|--------|--------|--------|-------|
| L | 10.00 | 15.00 | 20.00 | 25.00 | 30.00 | 35.00 | 40.00 | 45.00 | 50.00 | 55.00 | 60.00 | 65.00 |
| B | 5.00 | 10.00 | 15.00 | 20.00 | 25.00 | 30.00 | 35.00 | 40.00 | 45.00 | 50.00 | 55.00 | 60.00 |
| N | 2*14P | 2*15P | 2*16P | 2*17P | 2*18P | 2*19P | 2*20P | 2*21P | 2*22P | 2*23P | 2*24P | ... |
| L | 70.00 | 75.00 | 80.00 | 85.00 | 90.00 | 95.00 | 100.00 | 105.00 | 110.00 | 115.00 | 120.00 | |
| B | 65.00 | 70.00 | 75.00 | 80.00 | 85.00 | 90.00 | 95.00 | 100.00 | 105.00 | 110.00 | 115.00 | |

宁波高胜电子有限公司

NINGBO GOOSVN ELECTRONIC CO.,LTD

| 公差范围 (Tolerance Range) | |
|------------------------|--------|
| 150~ | ±1.50 |
| 60~150 | ±1.00 |
| 30~60 | ±0.60 |
| 6~30 | ±0.40 |
| 0~6 | ±0.25 |
| 角度 (Angle) | X ±2° |
| | XX ±1° |

型号 (Type): GS010B-5.0-2*XXP-1Y-00A (H)

| | |
|----------------|------------------------------------|
| 核准 (Approval): | 图号 (Drawing NO.): |
| 审核 (Audit): | 单位 (Units): mm 页码 (Page): 1/1 |
| 设计 (Design): | 比例 (Scale): FULL 版次 (Version): T0 |

E

1 2 3 4 5 6 7 8

1 2 3 4 5 6 7 8

| 版次 (Version) | 变更内容 (Rev. Content) | 变更者 (Change Person) |
|-----------------|------------------------|------------------------|
| | | |
| | | |

A

B

C

D

E

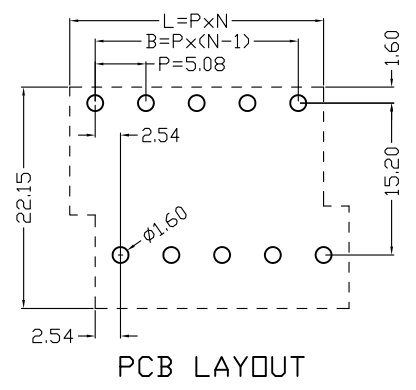
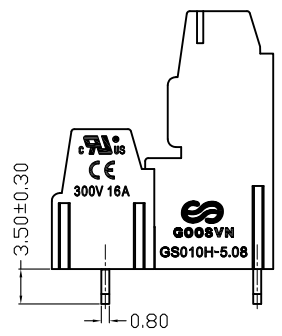
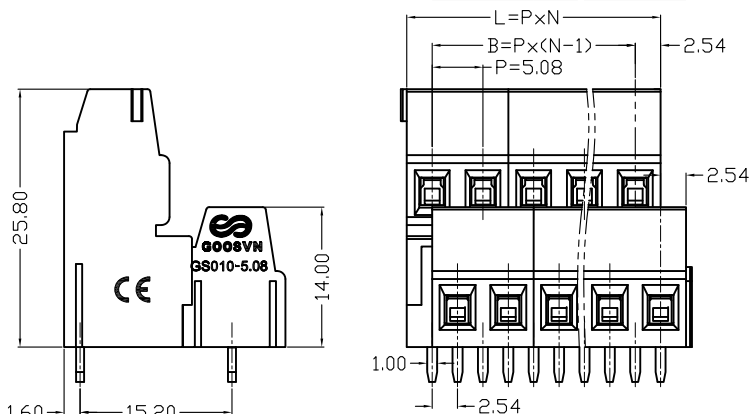
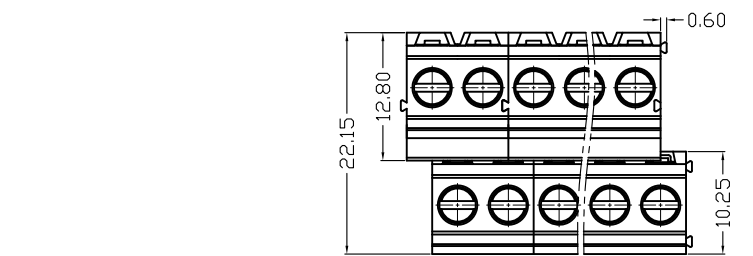
A

B

C

D

E



| 技术参数 (Technical Data) | | |
|---|-----------------------------------|--------------------|
| 项目 (Item) | UL | IEC |
| 额定电气参数 (Rated Electrical Parameters) | 300V/16A | 250V/18A |
| 压线范围 (Wire Range) | 24~12AWG | 2.5mm ² |
| 工频耐压 (Frequency Voltage) | AC 2500V | |
| 冲击耐压 (Rated Surge Voltage) | 4000V | |
| 绝缘阻抗 (Insulation Resistance) | DC500V 500MΩ above | |
| 接触电阻 (Contact Resistance) | ≤20mΩ | |
| 剥线长度 (Stripping Length) | 7mm | |
| 工作温度 (Temperature) | -40°C~+105°C | |
| 材质和电镀 (Material and plating) | | |
| 绝缘材质 (Housing) | PA66 (UL94 V-0) | |
| 触点材料 (Contact) | 铜合金, 镀锡 (Copper alloy, Sn plated) | |
| 螺丝 (Screws) | 钢, 镀锌 (Steel, Zn plated) | |
| 方盒 (Cage) | 铜合金, 镀镍 (Copper alloy, Ni plated) | |

产品命名编码:

(Product Number Code):

GS010B-5.08-2*XXP-1Y-00A (H)

产品型号 (Series No.)

客户需求
(Customer Request)

极数 (No. of poles)

塑体颜色 (Housing Color)

- 1: 单倍间距 (Single Pitch)
- 2: 双倍间距 (Double Pitch)

- 1: 绿色 (Green)
- 2: 蓝色 (Blue)
- 3: 黑色 (Black)
- 4: 灰色 (Grey)
- 5: 橙色 (Orange)
- 6: 红色 (Red)
- 7: 透明色 (Transparent)
- 8: 白色 (White)
- 9: 黄色 (Yellow)
- Y: 多种颜色 (Mixed Color)

| | P=5.08mm, N为孔位数 (N for hole digits), 有效位数为 (Significant Digits): 2*02P~2*XXP | | | | | | | | | | | |
|---|--|-------|-------|-------|-------|-------|--------|--------|--------|--------|--------|-------|
| | 2*02P | 2*03P | 2*04P | 2*05P | 2*06P | 2*07P | 2*08P | 2*09P | 2*10P | 2*11P | 2*12P | 2*13P |
| N | 2*02P | 2*03P | 2*04P | 2*05P | 2*06P | 2*07P | 2*08P | 2*09P | 2*10P | 2*11P | 2*12P | 2*13P |
| L | 10.16 | 15.24 | 20.32 | 25.40 | 30.48 | 35.56 | 40.64 | 45.72 | 50.80 | 55.88 | 60.96 | 66.04 |
| B | 5.08 | 10.16 | 15.24 | 20.32 | 25.40 | 30.48 | 35.56 | 40.64 | 45.72 | 50.80 | 55.88 | 60.96 |
| N | 2*14P | 2*15P | 2*16P | 2*17P | 2*18P | 2*19P | 2*20P | 2*21P | 2*22P | 2*23P | 2*24P | ... |
| L | 71.12 | 76.20 | 81.28 | 86.36 | 91.44 | 96.52 | 101.60 | 106.68 | 111.76 | 116.84 | 121.92 | |
| B | 66.04 | 71.12 | 76.20 | 81.28 | 86.36 | 91.44 | 96.52 | 101.60 | 106.68 | 111.76 | 116.84 | |

| | | | |
|---|--|------------------------|------------------|
| 宁波高胜电子有限公司 NINGBO GOOSVN ELECTRONIC CO.,LTD | | 公差范围 (Tolerance Range) | |
| | | 150~ | ±1.50 |
| 型号 (Type): GS010B-5.08-2*XXP-1Y-00A (H) | | 60~150 | ±1.00 |
| | | 30~60 | ±0.60 |
| 核准 (Approval): | | 6~30 | ±0.40 |
| | | 0~6 | ±0.25 |
| 审核 (Audit): | | 角度 (Angle) | X ±2° |
| | | XX ±1° | |
| 设计 (Design): | | 比例 (Scale): FULL | 版次 (Version): T0 |

1 2 3 4 5 6 7 8