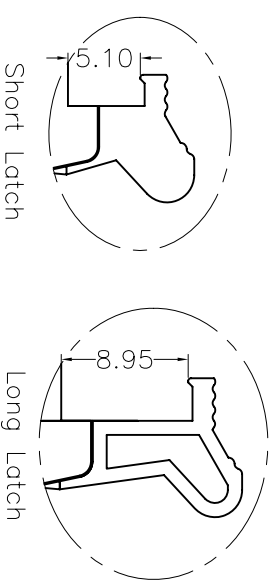
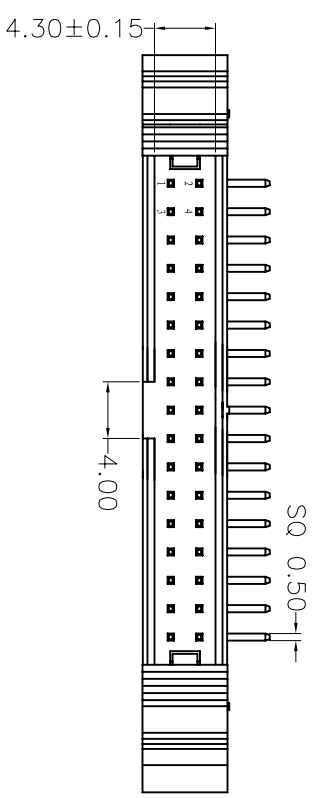
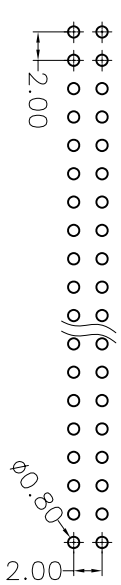


REV.	ECN. NO.	APPD.
A		

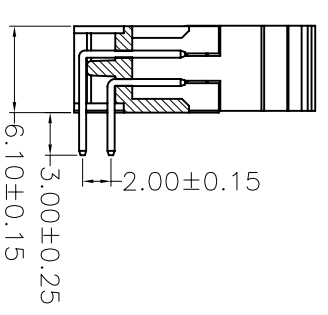
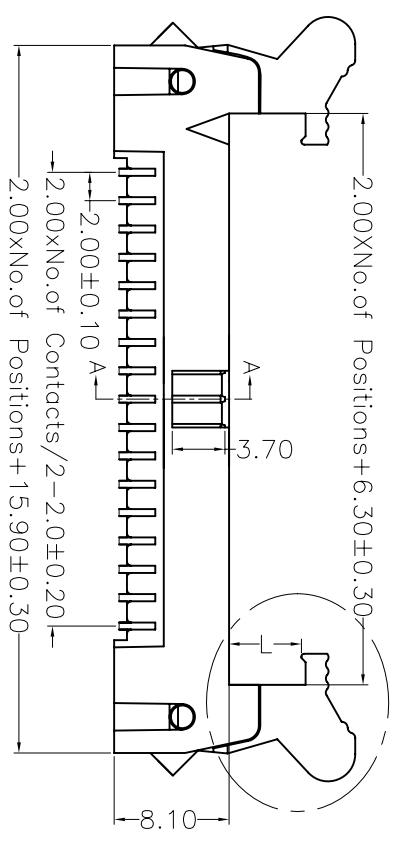
Recommended P.C.B Layout(Top Side)  
(PCB BOARD TOLERANCE±0.05)



## Ordering Information

### MTE220-XX R X

No.of Pins	Latch Type
06 24	L=Long Latch
08 26	S=Short Latch
10 30	N=Without Latch
12 34	
14 40	
16 50	
18 60	
20 64	



SECTION A-A

X. ±0.30	X° ±5°	UNITS	mm	NAME/(INTENDED USE)	
X ±0.20	X° ±2°	MAT'L			
XX ±0.10	XX° ±1°	FINISH		PART NO.(INTENDED USE)	
.XXX ±0.05	.XXX° ±0.5°			APPD: SUNNY	
EJECTOR HEADER CONNECTOR		QTY		CHKD: USA	
				DR: ZOE	2006-11-28
MINTRON CO.,LTD.		DWG NO.:		TITLE: MTE220-XXRL	
SCALE 1/1		SHEET 1/1		REV. A	