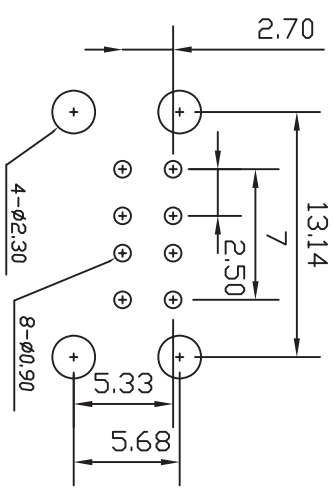
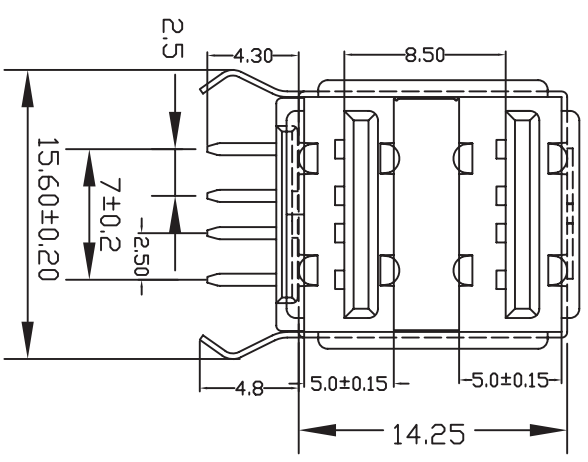
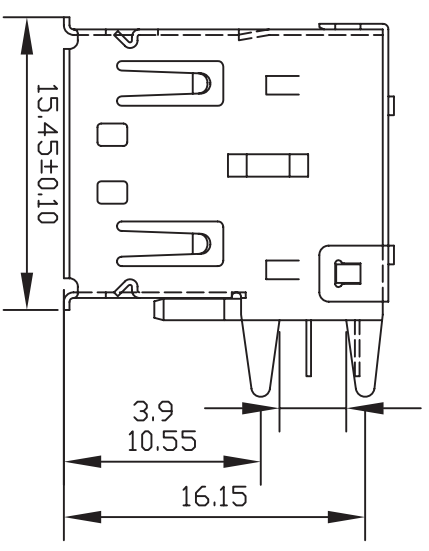
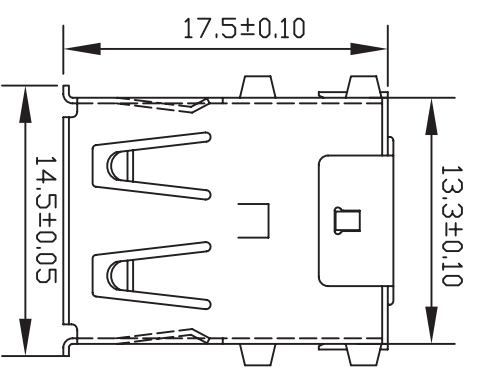


REV.	ECH. NO.	APPD.
A		



PCB LAYOUT

Specifications:
 Electrical:
 Contact Resistance: 30 milliohms MAX
 Dielectric Withstanding Voltage: 500 V AC AT Sea Level
 Insulation Resistance: 1000 MEGA ohms MIN

Mechanical:
 Mating Force: 3.57 KG MAX
 Umating Force: 1.02 KG MIN.

NO.	PARTS	MATERIAL	QTY.	FINISHING
5	BACK SHELL	SPCC		PLATED NI
4	CONTACT(SHORT)	BRASS		PLATED GOLD
3	HOUSING	WHITE/BLACK PBT	1	UL 94V-0
2	FRONT SHELL	BRASS	1	PLATED NI
1	CONTACT(LONG)	BRASS	8	PLATED GOLD

PARTS LIST

MINTRON CO., LTD.

NAME (INTENDED USE)	
PART NO. (INTENDED USE)	
TITLE:	USB A母 双层半包 DIP 90° (无弹)
DWG NO.:	MT-UA002-15-A2

X.	± 0.30	X°	± 5°	UNITS	mm
X	± 0.20	X°	± 2°	MATL	
XX	± 0.10	XX°	± 1°	FINISH	
.XXX ± 0.05	.XXX° ± 0.5°			QTY	

APPD:	SUNNY	DR:	ZOE
CHKD:	USA		
			2011-11-10

SCALE	1/1	SHEET	1/1	REV.	A
-------	-----	-------	-----	------	---