

REV.	ECN. NO.	APPD.
A		

规格说明: Specifications:
 电气特性: Electrical:

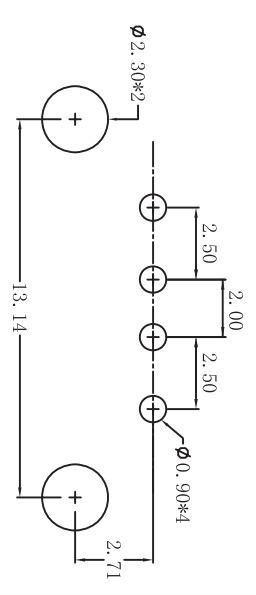
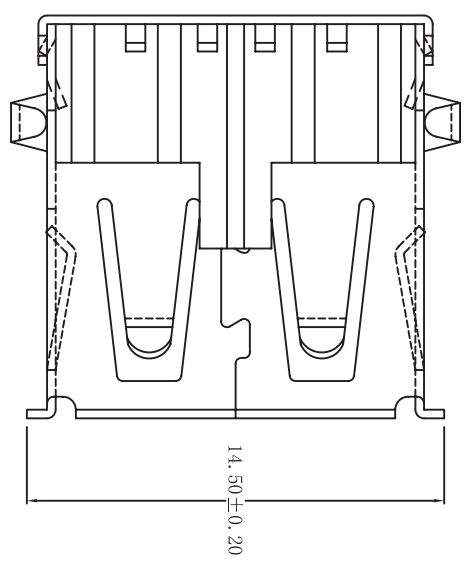
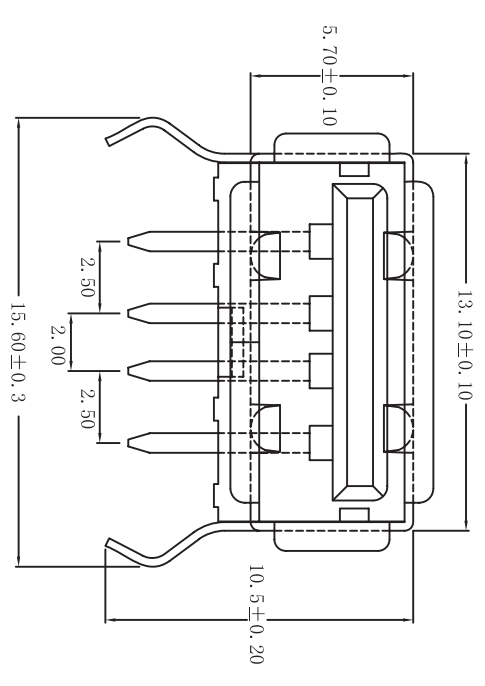
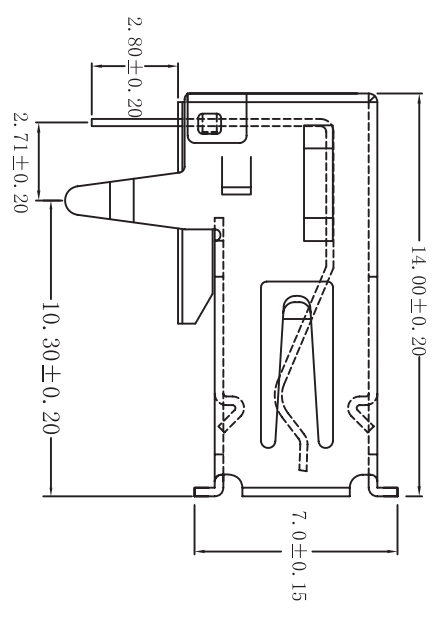
1. 额定电流: Current Rating
1.5A/contact terminal
2. 额定电压: Voltage Rating
30V DC
3. 接触阻抗: Contact Resistance
30 milliohms MAX
4. 耐电压: Dielectric Withstanding Voltage:
500 V AC AT Sea Level
5. 绝缘阻抗: Insulation Resistance:
1000MEGA ohms MIN

物理性能: Mechanical:

1. 插拔力: Connector Mate and Umate Force
Mate force: 3.57kgf (MAX)
Umate force: 1.02kgf (MIN)
2. 端子保持力: Terminal Retention
1. 2kgf (MIN)

原材料: Material:

1. 塑胶: Housing:
Hing Temperature Thermoplastics,
U1 94V-0 PBT White/Black
 2. 端子: Contact: Copper Alloy C2680
 3. 外壳: Shell: Copper Alloy C2680/SPCC
- 电镀: Finish:
1. 端子: Contact: Plated Gold in Mating Area;
Tin On Solder Talls
 2. 外壳: Shell:
Nickel Plating



X.	± 0.30	X.°	± 5°	UNITS	mm
.X	± 0.20	.X°	± 2°	MAT'L	
.XX	± 0.10	.XX°	± 1°	FINISH	
.XXX	± 0.05	.XXX°	± 0.5°		
USB CONNECTOR				QTY	

NAME (INTENDED USE)		TITLE	
PART NO. (INTENDED USE)		USB A TYPE FEMALE DIP 90°	
APPD:	SUNNY	DWG NO.:	MT-UA002-01-A1
CHKD:	LISA	SCALE	1/1
DR:	ZOE	SHEET	1/1
	2009-01-16	REV.	A

MINTRON CO., LTD.

