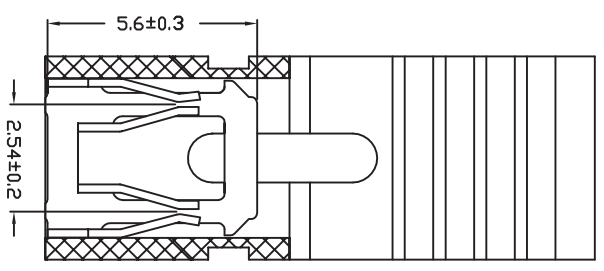
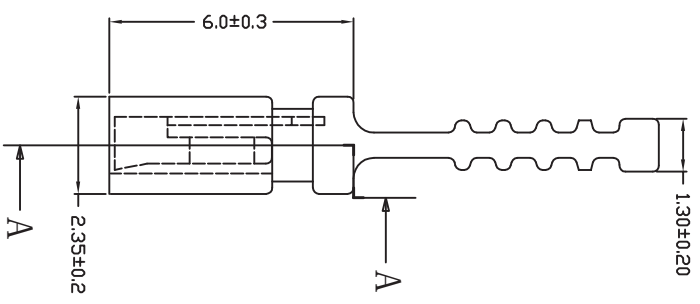
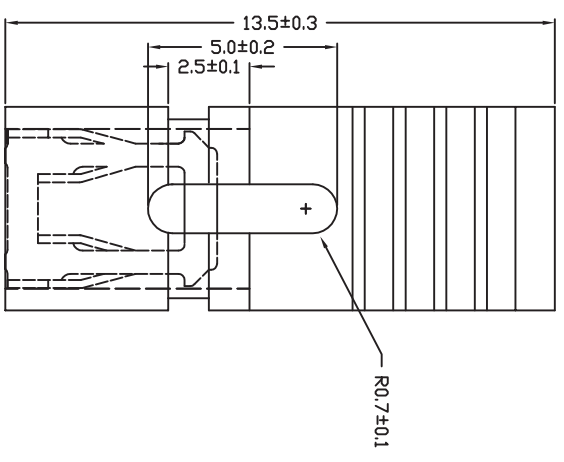
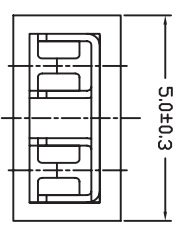


NOTES:
 Current Rating:3AMP
 Contact Resistance:20mΩ max
 Withstand Voltage:1000V AC/DC
 Insulation Resistance:10000MΩ min
 Operation Temperature:-40°C to +105°C

Contact Material:Brass
 Contact plating:Au or Sn Over Ni
 Insulator Material:PBT+30%GF(UL94V-0)



SECTION A-A

Ordering Information

3135 - S0 X 06-S01

Insulator Color
 B=Black
 W=White
 R=Red
 Y=Yellow

REV	DATE	MODIFICATION DESCRIPTION	CHANGE	APPROVE	OPERATION X.X ±0.40	DRAW DESIGN	WEIXD	08/06/16	SCALE 8:1	MINTRON TECHNOLOGY CO.,LTD.	
A0	08/06/16	NEW			X.XX ±0.25	CHECK		UNIT mm	PART NO. 3135-S0X06-S01		
					X.XXX ±0.15			SIZE A4	TITLE: 2.54 MINI JUMPER H=13.5 OPEN TYPE 高拉力		
					Angle ± 3'	APPROVE		SHEET 1/1			
					DIM			PROJ.	Customer NO.		

1 2 3 4 5 6 7 8 9 10

A B C D E F G H