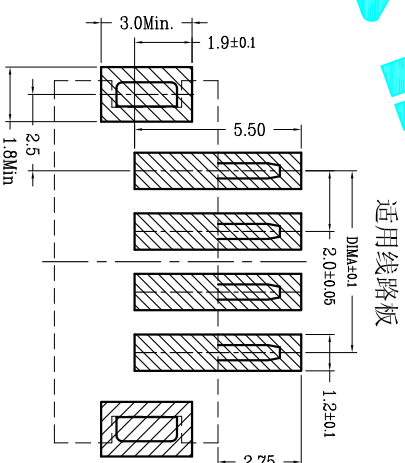
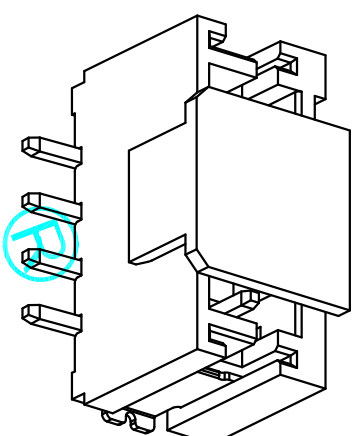


- 技术指标:
1. 温度范围: -25° C~85° C.
  2. 额定电压: 200V, AC.
  3. 接触电阻: ≤20mΩ
  4. 额定电流: 2A
  5. 耐电压: 500V
  6. 绝缘电阻: ≥1000MΩ.



CKT	DIM A	DIM B	DIM C
2	2.00	4.80	7.95
3	4.00	6.80	9.95
4	6.00	8.80	11.95
5	8.00	10.80	13.95
6	10.00	12.80	15.95
7	12.00	14.80	17.95
8	14.00	16.80	19.95
9	16.00	18.80	21.95
10	18.00	20.80	23.95
11	20.00	22.80	25.95
12	22.00	24.80	27.95
13	24.00	26.80	29.95
14	26.00	28.80	31.95
15	28.00	30.80	33.95
16	30.00	32.80	35.95
17	32.00	34.80	37.95
18	34.00	36.80	39.95
19	36.00	38.80	41.95
20	38.00	40.80	43.95

APPROVALS	DATE	TITLE:
DRAWN G.M.Chen	2015/7/17	PH-插式
CHECKED		
APPROVALS		

ECN NO.	REV.	DATE.	DESCRIPTION.	CHANGE.	CHECK.	APPRO.	TOLERANCES ARE	30~0.125 10~0.20 6~10 ~5	±0.80 ±0.20 ±0.15 ±0.10	ANGLE	±2°	PART NO.	UNIT: mm	SCALE: 1:1	SHEET 1 OF 1	PROJ.
	A		NEW									PH-插式				